

BALDOR • RELIANCE

Customer information packet

GNEM2524T-G

15HP//11KW, 1180//980RPM, 3PH, 60//50HZ, 284

Specifications

Enclosure	OPSB
Frame	284T
Frame Material	Steel
Frequency	50.00 Hz 60.00 Hz
Motor Letter Type	Three Phase
Output @ Frequency	15.000 HP @ 60 HZ 11.000 KW @ 50 HZ
Phase	3
Synchronous Speed @ Frequency	1200 RPM @ 60 HZ
Voltage @ Frequency	460.0 V @ 60 HZ 380.0 V @ 50 HZ 230.0 V @ 60 HZ 208.0 V @ 60 HZ 190.0 V @ 50 HZ
Agency Approvals	UKCA WEEE NEMA PREMIUM IE3 CURUSEEV CE
Ambient Temperature	40 °C
Auxillary Box	No Auxillary Box
Auxillary Box Lead Termination	None
Base Indicator	Rigid
Bearing Grease Type	Polyrex EM (-20F +300F)
Blower	None
Current @ Voltage	46.000 A @ 190.0 V 42.000 A @ 208.0 V 40.000 A @ 230.0 V 23.000 A @ 380.0 V 20.000 A @ 460.0 V
Design Code	A

Part detail

Revision	A
Type	AC
Mech. spec.	40E246
Base	
Status	PRD/A
Elec. spec.	40WGX502
Layout	40LYE246
Eff. date	04-26-2024
CD Diagram	CD0180
Poles	06
Leads	9#10
Proprietary	False
Created date	11-29-2023

Drip Cover	No Drip Cover
Duty Rating	CONT
Efficiency @ 100% Load	91.7 %
Electrically Isolated Bearing	Not Electrically Isolated
Feedback Device	NO FEEDBACK
Front Shaft Indicator	None
Heater Indicator	No Heater
High Voltage Full Load Amps	20.0 a
Insulation Class	H
Inverter Code	Inverter Duty
KVA Code	J
Lifting Lugs	Standard Lifting Lugs
Locked Bearing Indicator	No Locked Bearing
Motor Lead Quantity/Wire Size	9 @ 10 AWG
Motor Lead Termination	Flying Leads
Motor Standards	NEMA
Motor Type	4056M
Mounting Arrangement	F1
Number of Poles	6
Overall Length	25.06 IN
Power Factor	75
Product Family	General Purpose
Pulley End Bearing Type	Ball
Pulley Face Code	Standard
Pulley Shaft Indicator	Standard
Rodent Screen	None
RoHS Status	ROHS COMPLIANT
Service Factor	1.15
Shaft Diameter	1.875 IN
Shaft Ground Indicator	Shaft Grounding
Shaft Rotation	Reversible
Shaft Slinger Indicator	No Slinger
Speed	1180 rpm 980 rpm

Speed Code	Single Speed
Starting Method	Direct on line
Thermal Device - Bearing	None
Thermal Device - Winding	None
Vibration Sensor Indicator	No Vibration Sensor
Winding Thermal 1	None
Winding Thermal 2	None

Nameplate

NP4304L									
CAT.NO.	GNEM2524T-G								
SPEC.	40E246X502G1								
HP	15HP//11KW	PH	3						
VOLTS	208-230/460//190/380								
AMPS	44-42/21//48/24								
R.P.M. (1/MIN)	1185//980						WT.	369	KG
FRAME	284T	HZ	60//50		I.P.	22			
SER.F.	1.15	CODE	J	DES.	A	CLASS	H		
NOM.EFF.	91.7//90.3		% (100%)						
P.F.	73	IC01, 10:1 VT							
RATING	40C AMB-CONT			CC	010A				
DE	6311	ODE	6309						
ENCL	OPSB	SN							
	IE3-50HZ 92.8(75%),92.5(50%)								
	IE3-60HZ 93.4(75%),92.4(50%)								
	SFA 49-46/23//52/26								

AC Induction Motor Performance Data

Record # 105140

Typical performance - not guaranteed values

Winding: 40WGX502-R002		Type: 4056M	Enclosure: OPSB	
Nameplate Data			460 V, 60 Hz: High Voltage Connection	
Rated Output (HP)	15HP//11KW		Full Load Torque	66.62 LB-FT
Volts	208-230/460//190/380		Start Configuration	direct on line
Full Load Amps	44-42/21//48/24		Breakdown Torque	230 LB-FT
R.P.M.	1185//980		Pull-up Torque	127 LB-FT
Hz	60//50	Phase 3	Locked-rotor Torque	139 LB-FT
NEMA Design Code	A	KVA Code J	Starting Current	140 A
Service Factor (S.F.)	1.15		No-load Current	11.4 A
NEMA Nom. Eff.	91.7	Power Factor 73	Line-line Res. @ 25°C	0.47156 Ω
Rating - Duty	40C AMB-CONT		Temp. Rise @ Rated Load	23°C
S.F. Amps	49-46/23//52/26		Temp. Rise @ S.F. Load	27°C
			Locked-rotor Power Factor	31
			Rotor inertia	6.86 lb-ft ²

Load Characteristics 460 V, 60 Hz, 15 HP

% of Rated Load	25	50	75	100	125	150	S.F.
Power Factor	33	53	66	73	77	79	75
Efficiency	87.9	92.4	93.4	93.5	93.1	92.4	93.3
Speed	1196.3	1192.5	1189.1	1185.2	1180.7	1175.4	1182
Line amperes	12.3	14.4	17.2	20.7	24.6	28.9	23

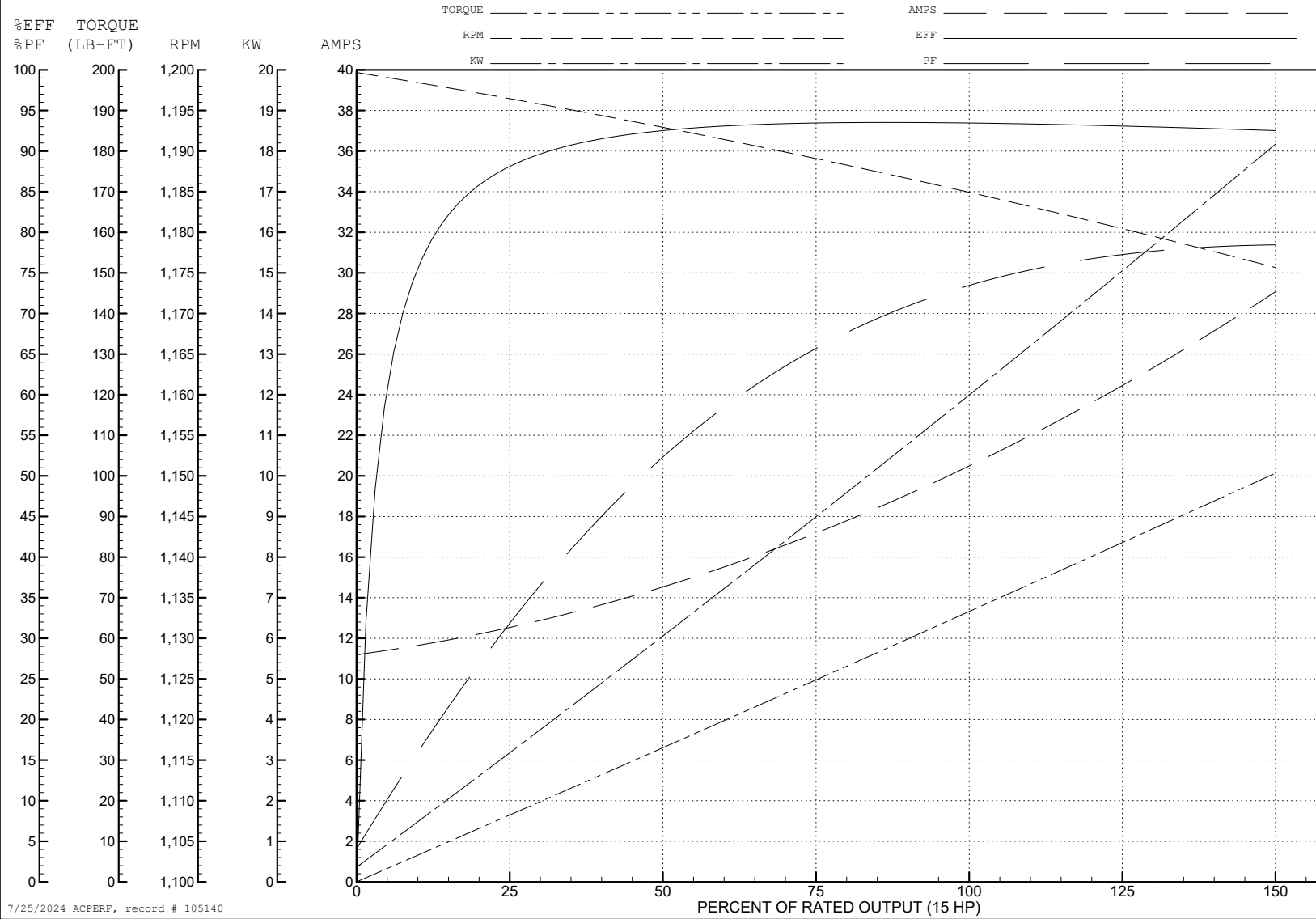
ABB Motors and Mechanical Inc.

WINDING # 40WGx502

15 HP 3 PH 60 HZ 1185.2 RPM 460 V 4056M

Typical performance - not guaranteed values.

TORQUES (LB-FT): PO=230 PU=127 LR=139 LRA=140



7/25/2024 ACPERF, record # 105140

AC Induction Motor Performance Data

Record # 105141

Typical performance - not guaranteed values

Winding: 40WGX502-R002		Type: 4056M	Enclosure: OPSB	
Nameplate Data			380 V, 50 Hz: High Voltage Connection	
Rated Output (HP)	15HP//11KW		Full Load Torque	79.1 LB-FT
Volts	208-230/460//190/380		Start Configuration	direct on line
Full Load Amps	44-42/21//48/24		Breakdown Torque	226 LB-FT
R.P.M.	1185//980		Pull-up Torque	124 LB-FT
Hz	60//50	Phase 3	Locked-rotor Torque	137 LB-FT
NEMA Design Code	A	KVA Code J	Starting Current	139 A
Service Factor (S.F.)	1.15		No-load Current	11.1 A
NEMA Nom. Eff.	91.7	Power Factor 73	Line-line Res. @ 25°C	0.47155 Ω
Rating - Duty	40C AMB-CONT		Temp. Rise @ Rated Load	34°C
S.F. Amps	49-46/23//52/26		Temp. Rise @ S.F. Load	39°C
			Locked-rotor Power Factor	34.4
			Rotor inertia	6.86 lb-ft ²

Load Characteristics 380 V, 50 Hz, 15 HP

% of Rated Load	25	50	75	100	125	150	S.F.
Power Factor	38	60	71	77	79	79	78
Efficiency	89.2	92.5	92.8	92.2	91.6	91.1	91.8
Speed	995.3	990.6	985.6	979.8	976.3	973.8	978
Line amperes	12.4	15.2	19	23.7	26.7	28.8	25.5

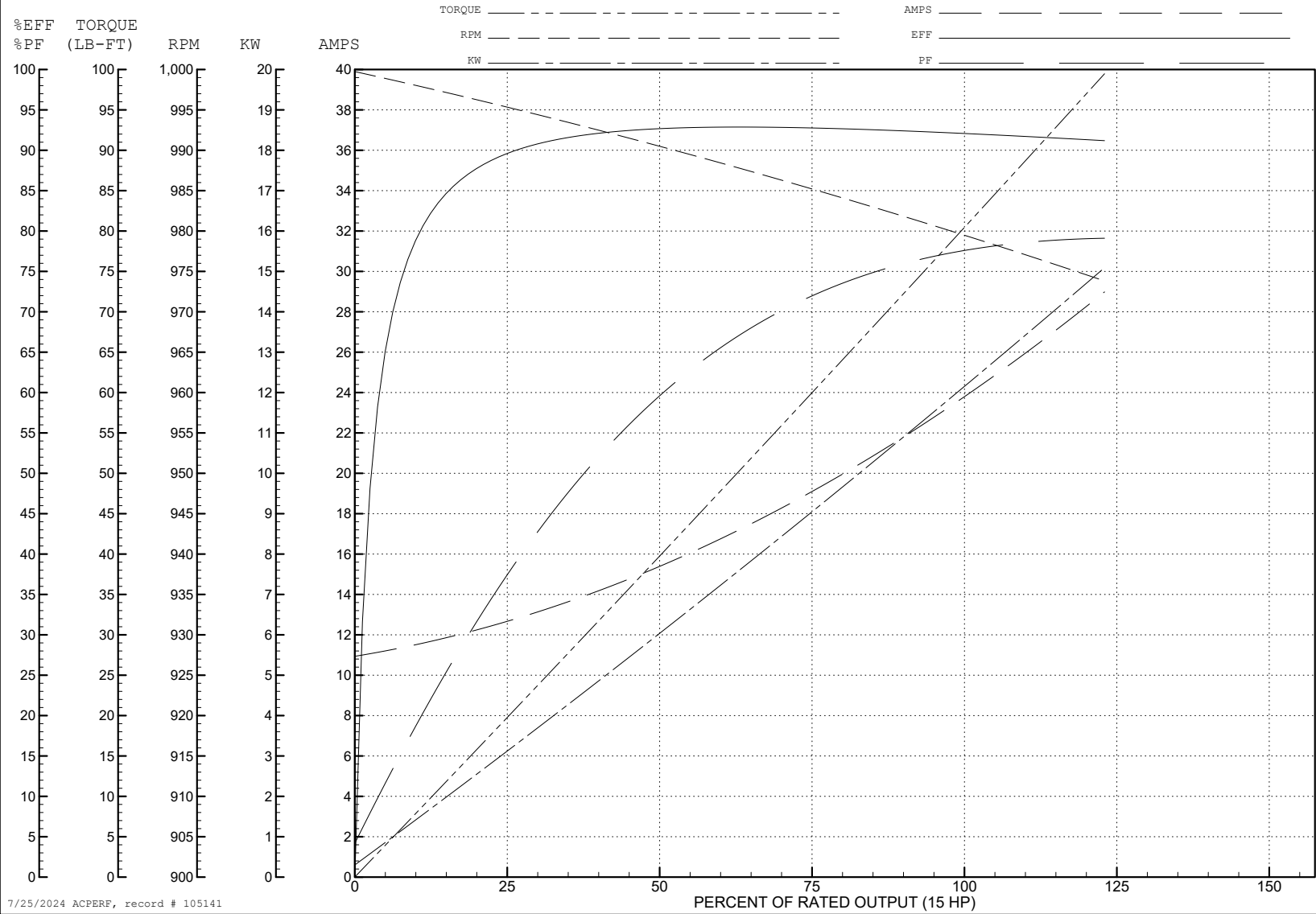
ABB Motors and Mechanical Inc.

WINDING # 40WGX502

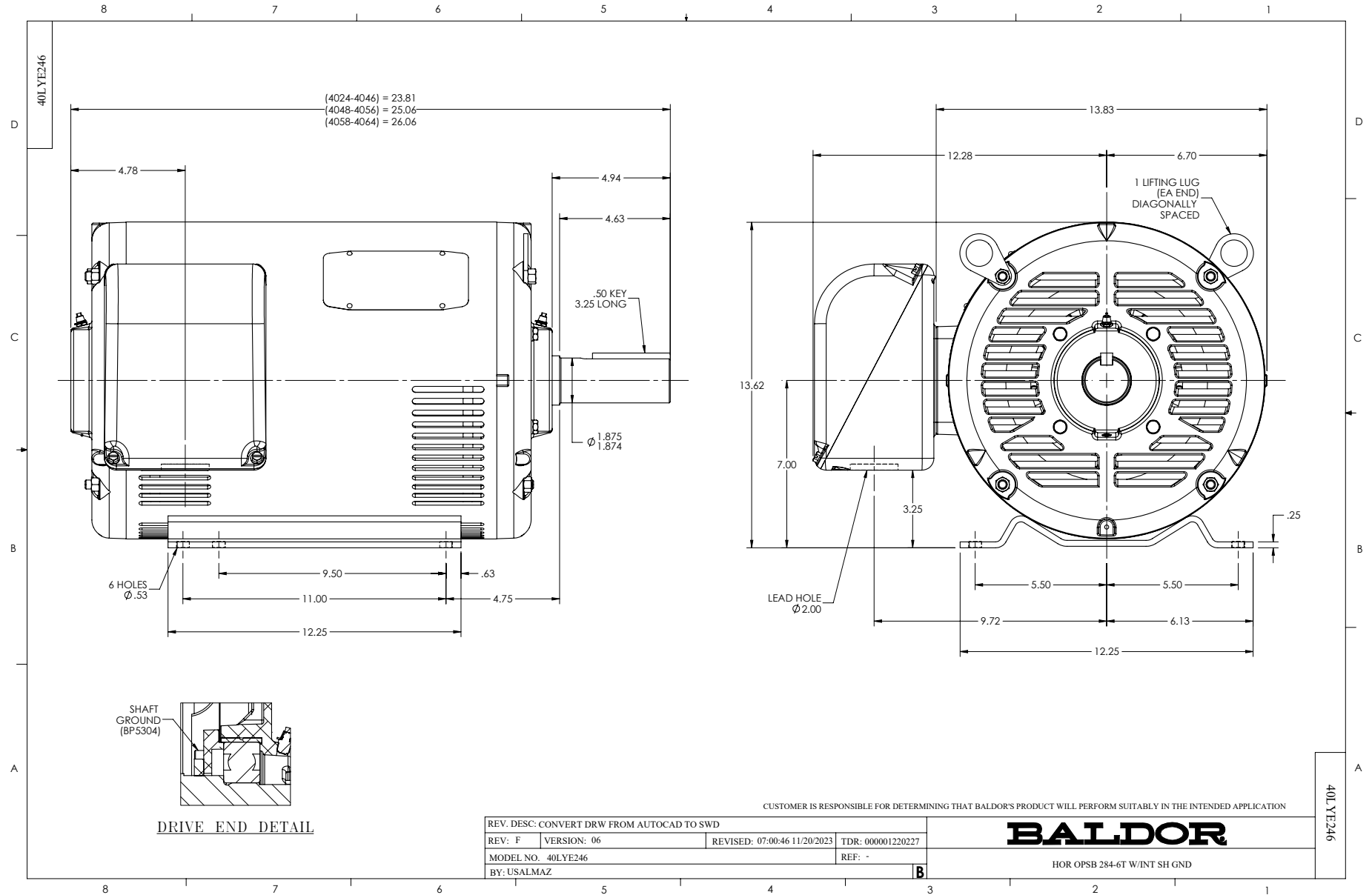
Typical performance - not guaranteed values.

15 HP 3 PH 50 HZ 979.8 RPM 380 V 4056M

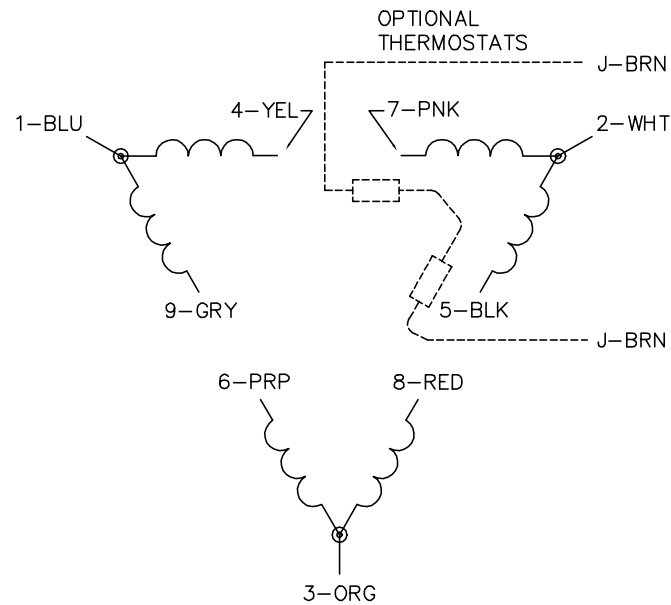
TORQUES (LB-FT): PO=226 PU=124 LR=137 LRA=139



7/25/2024 ACPERF, record # 105141



CD0180



LOW VOLTAGE
(2D)



HIGH VOLTAGE
(1D)



NOTES:

1. INTERCHANGE ANY TWO LINE LEADS TO REVERSE ROTATION.
2. OPTIONAL THERMOSTATS ARE PROVIDED WHEN SPECIFIED.
3. ACTUAL NUMBER OF INTERNAL PARALLEL CIRCUITS MAY BE A MULTIPLE OF THOSE SHOWN ABOVE.
4. LEAD COLORS ARE OPTIONAL. LEADS MUST ALWAYS BE NUMBERED AS SHOWN.

CD0180

REV. DESC: ADD CLASS CONN00000007		
REV. LTR: D	VERSION: 01	TDR: 000001099922
FILE: \AAA\00005\148	REVISED: 10: 25: 29 02/19/2019	BY: ENBRIRO
MTL: -	© □	

BALDOR - RELIANCE®

3PH, DV, 9 LEADS, DELTA CONNECTION

SH 1 of 1