



Customer information packet

GNEM2515T-G

20HP//15KW, 1775//1470RPM, 3PH, 60//50HZ, 25

Class - None

Division - Not Applicable

Specifications

Enclosure	OPSB
Frame	256T
Frame Material	Steel
Frequency	50.00 Hz 60.00 Hz
Haz Area Class and Group	None
Haz Area Division	Not Applicable
Motor Letter Type	Three Phase
Output @ Frequency	20.000 HP @ 60 HZ 15.000 KW @ 50 HZ
Phase	3
Synchronous Speed @ Frequency	1800 RPM @ 60 HZ
Voltage @ Frequency	190.0 V @ 50 HZ 208.0 V @ 60 HZ 230.0 V @ 60 HZ 380.0 V @ 50 HZ 460.0 V @ 60 HZ
Agency Approvals	CE WEEE UKCA CURUSEEV IE3 NEMA PREMIUM
Ambient Temperature	40 °C
Auxillary Box	No Auxillary Box
Auxillary Box Lead Termination	None
Base Indicator	Rigid
Bearing Grease Type	Polyrex EM (-20F +300F)
Blower	None
Current @ Voltage	58.000 A @ 190.0 V 52.000 A @ 208.0 V 50.000 A @ 230.0 V 29.000 A @ 380.0 V

Part detail

Revision	E
Type	AC
Mech. spec.	39E366
Base	
Status	PRD/A
Elec. spec.	39WGY464
Layout	39LYE366
Eff. date	12-09-2024
CD Diagram	CD0180
Poles	04
Leads	9#10
Proprietary	False
Created date	09-06-2023

	25.000 A @ 460.0 V
Design Code	A
Drip Cover	No Drip Cover
Duty Rating	CONT
Efficiency @ 100% Load	93.0 %
Electrically Isolated Bearing	Not Electrically Isolated
Feedback Device	NO FEEDBACK
Front Shaft Indicator	None
Heater Indicator	No Heater
High Voltage Full Load Amps	25.0 a
Insulation Class	H
Inverter Code	Inverter Duty
KVA Code	J
Lifting Lugs	Standard Lifting Lugs
Locked Bearing Indicator	No Locked Bearing
Motor Lead Quantity/Wire Size	9 @ 10 AWG
Motor Lead Termination	Flying Leads
Motor Standards	NEMA
Motor Type	3958M
Mounting Arrangement	F1
Number of Poles	4
Overall Length	23.19 IN
Power Factor	81
Product Family	General Purpose
Pulley End Bearing Type	Ball
Pulley Face Code	Standard
Pulley Shaft Indicator	Standard
Rodent Screen	None
RoHS Status	ROHS COMPLIANT
Service Factor	1.15
Shaft Diameter	1.625 IN
Shaft Ground Indicator	Shaft Grounding
Shaft Rotation	Reversible
Shaft Slinger Indicator	No Slinger

Speed	1470 rpm 1775 rpm
Speed Code	Single Speed
Starting Method	Direct on line
Thermal Device - Bearing	None
Thermal Device - Winding	None
Vibration Sensor Indicator	No Vibration Sensor
Winding Thermal 1	None
Winding Thermal 2	None

Nameplate

NP4304L									
CAT.NO.	GNEM2515T-G								
SPEC.	39E366Y464G1								
HP	20HP//15KW				PH	3			
VOLTS	208-230/460//190/380								
AMPS	52-50/25//58/29								
R.P.M. (1/MIN)	1775//1470				WT.	132KG		KG	
FRAME	256T		HZ	60//50		I.P.	22		
SER.F.	1.15	CODE	J	DES.	A	CLASS	H		
NOM.EFF.	93//92.1		% (100%)						
P.F.	81	IC01, 10:1 VT							
RATING	40C AMB-S1 CONT				CC	010A			
DE	6309		ODE	6208					
ENCL	OPSB	SN							
	SFA 60-56/28//66/33								
	IE3-50HZ 93.5(75%),93.4(50%)								
	IE3-60HZ-93.6(75%),92.8(50%)								

AC Induction Motor Performance Data

Record # 105261

Typical performance - not guaranteed values

Winding: 39WGY464-R002		Type: 3958M		Enclosure: OPSB	
Nameplate Data			460 V, 60 Hz: High Voltage Connection		
Rated Output (HP)	20HP//15KW		Full Load Torque	59.1 LB-FT	
Volts	208-230/460//190/380		Start Configuration	direct on line	
Full Load Amps	52-50/25//58/29		Breakdown Torque	211 LB-FT	
R.P.M.	1775//1470		Pull-up Torque	130 LB-FT	
Hz	60//50	Phase	3	Locked-rotor Torque	139 LB-FT
NEMA Design Code	A	KVA Code	J	Starting Current	204 A
Service Factor (S.F.)	1.15		No-load Current	12 A	
NEMA Nom. Eff.	93	Power Factor	81	Line-line Res. @ 25°C	0.34364 Ω
Rating - Duty	40C AMB-CONT		Temp. Rise @ Rated Load	32°C	
S.F. Amps	60-56/28//66/33		Temp. Rise @ S.F. Load	38°C	
			Locked-rotor Power Factor	31.6	
			Rotor inertia	2.54 lb-ft ²	

Load Characteristics 460 V, 60 Hz, 20 HP

% of Rated Load	25	50	75	100	125	150	S.F.
Power Factor	40	62	74	80	84	85	82
Efficiency	87.8	92.3	93.4	93.4	93.1	92.4	93.2
Speed	1793.9	1788.4	1782.4	1776.8	1770.5	1762.9	1773
Line amperes	13.3	16.2	20.2	24.9	30	35.5	28

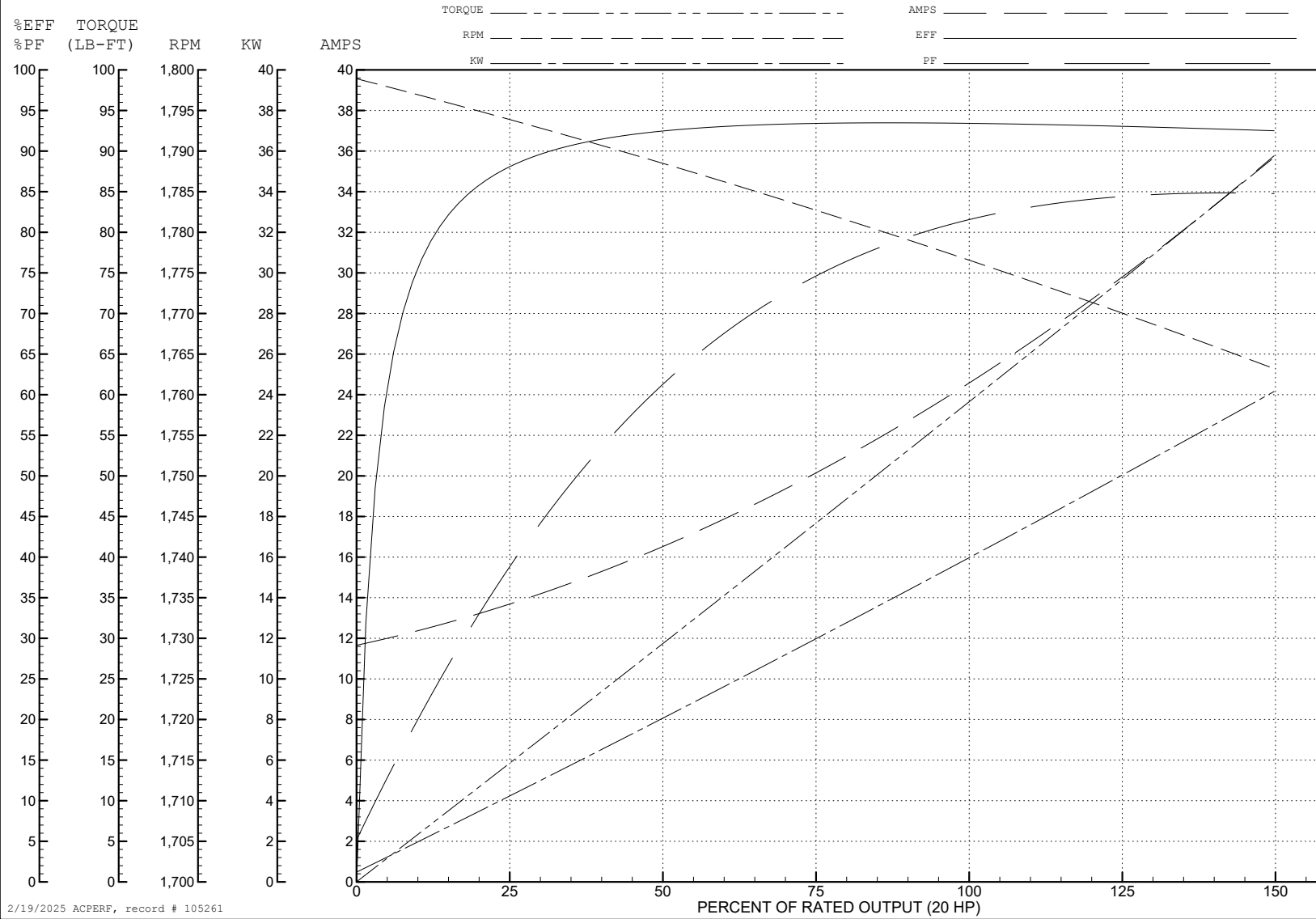
ABB Motors and Mechanical Inc.

WINDING # 39WGY464

Typical performance - not guaranteed values.

20 HP 3 PH 60 HZ 1776.8 RPM 460 V 3958M

TORQUES (LB-FT): PO=211 PU=130 LR=139 LRA=204



2/19/2025 ACPERF, record # 105261

AC Induction Motor Performance Data

Record # 105262

Typical performance - not guaranteed values

Winding: 39WGY464-R002		Type: 3958M		Enclosure: OPSB	
Nameplate Data			380 V, 50 Hz: High Voltage Connection		
Rated Output (HP)	20HP//15KW		Full Load Torque	71.85 LB-FT	
Volts	208-230/460//190/380		Start Configuration	direct on line	
Full Load Amps	52-50/25//58/29		Breakdown Torque	217 LB-FT	
R.P.M.	1775//1470		Pull-up Torque	130 LB-FT	
Hz	60//50	Phase	3	Locked-rotor Torque	136 LB-FT
NEMA Design Code	A	KVA Code	J	Starting Current	197 A
Service Factor (S.F.)	1.15		No-load Current	11.6 A	
NEMA Nom. Eff.	93	Power Factor	81	Line-line Res. @ 25°C	0.34364 Ω
Rating - Duty	40C AMB-CONT		Temp. Rise @ Rated Load	44°C	
S.F. Amps	60-56/28//66/33		Temp. Rise @ S.F. Load	51°C	
			Locked-rotor Power Factor	34.9	
			Rotor inertia	2.54 lb-ft ²	

Load Characteristics 380 V, 50 Hz, 20 HP

% of Rated Load	25	50	75	100	125	150	S.F.
Power Factor	47	69	79	84	85	86	85
Efficiency	90	92.9	93	92.4	91.8	91.3	92
Speed	1492.4	1484.9	1476.9	1468.4	1462.8	1458.8	1465
Line amperes	13.5	17.7	23.1	29.3	33.3	36.2	31.7

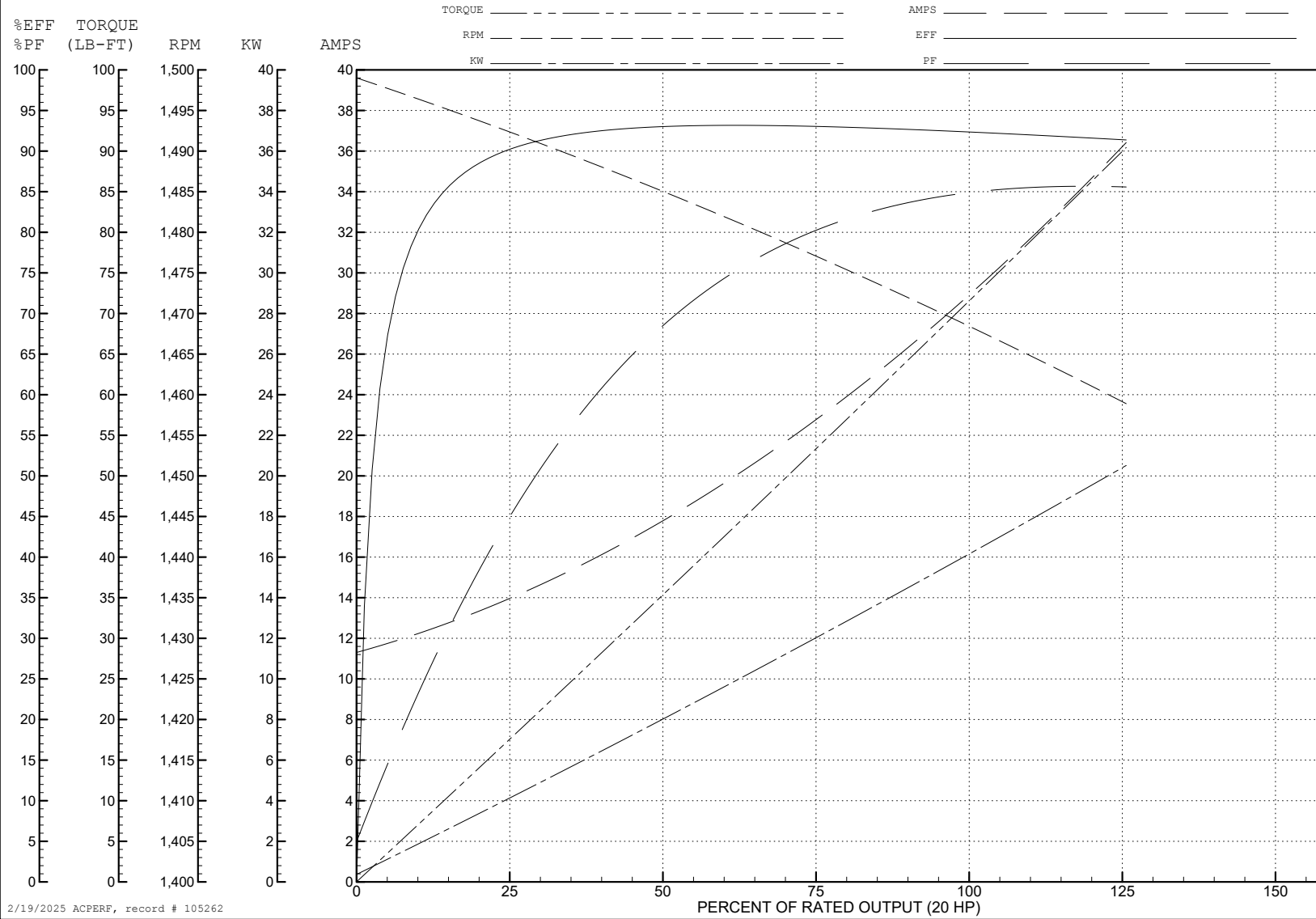
ABB Motors and Mechanical Inc.

WINDING # 39WGY464

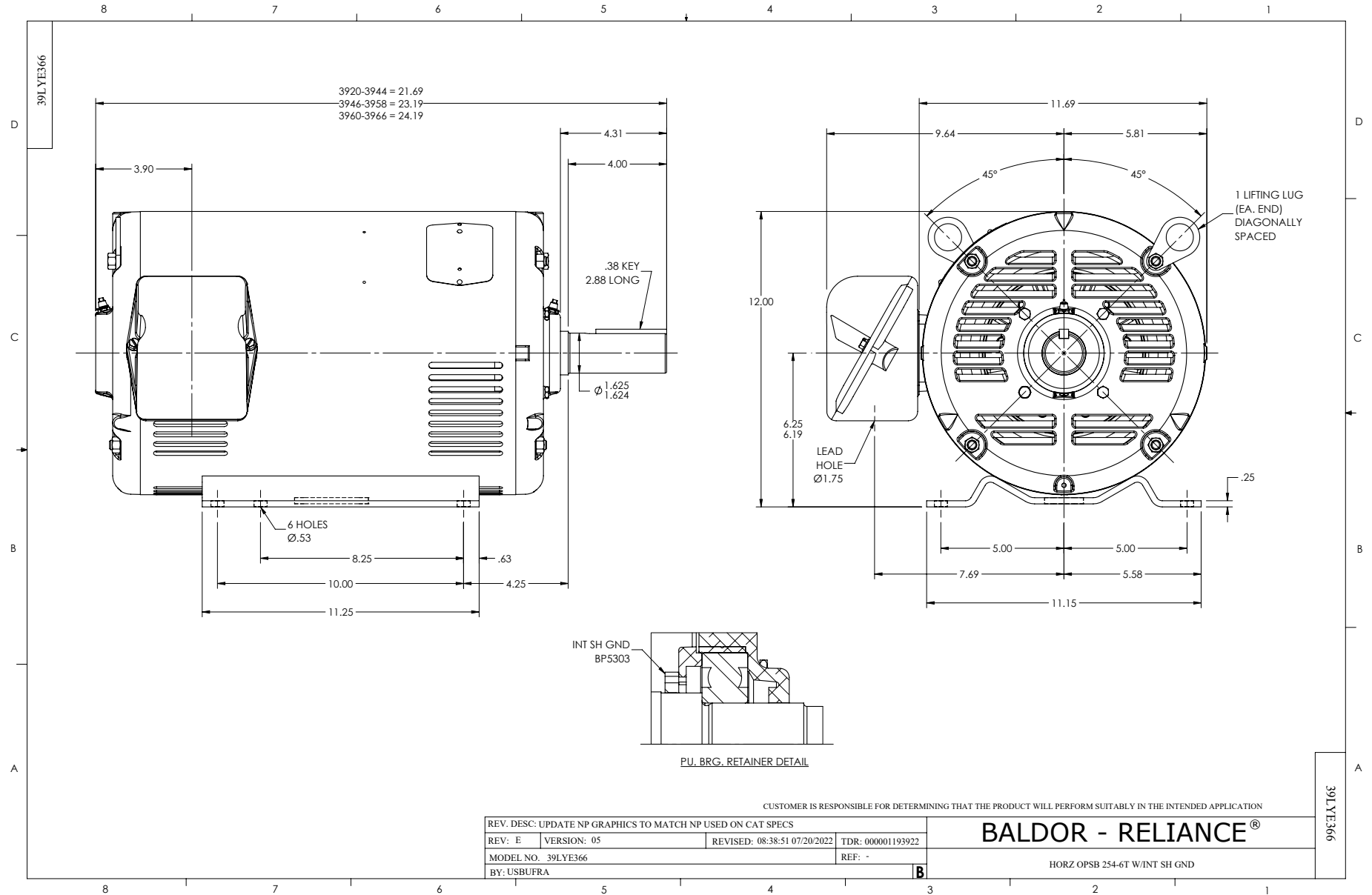
Typical performance - not guaranteed values.

20 HP 3 PH 50 HZ 1468.4 RPM 380 V 3958M

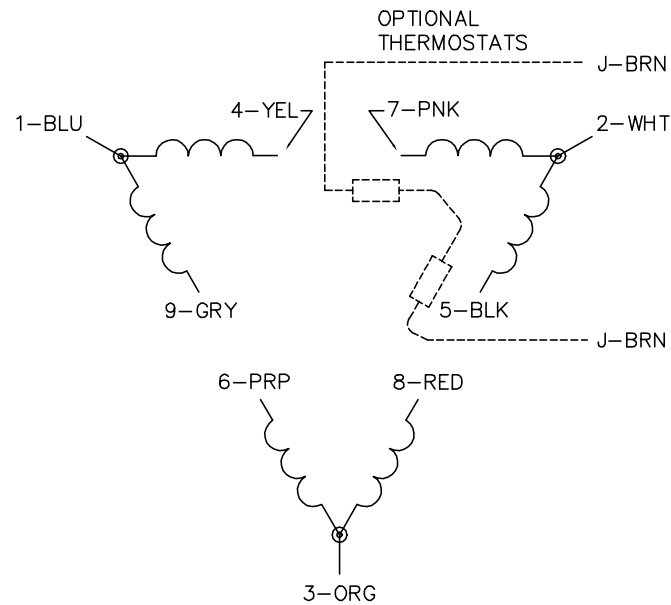
TORQUES (LB-FT): PO=217 PU=130 LR=136 LRA=197



2/19/2025 ACPERF, record # 105262



CD0180



LOW VOLTAGE
(2D)



HIGH VOLTAGE
(1D)



NOTES:

1. INTERCHANGE ANY TWO LINE LEADS TO REVERSE ROTATION.
2. OPTIONAL THERMOSTATS ARE PROVIDED WHEN SPECIFIED.
3. ACTUAL NUMBER OF INTERNAL PARALLEL CIRCUITS MAY BE A MULTIPLE OF THOSE SHOWN ABOVE.
4. LEAD COLORS ARE OPTIONAL. LEADS MUST ALWAYS BE NUMBERED AS SHOWN.

CD0180

REV. DESC: ADD CLASS CONN00000007		
REV. LTR: D	VERSION: 01	TDR: 000001099922
FILE: \AAA\00005\148	REVISED: 10: 25: 29 02/19/2019	BY: ENBRIRO
MTL: -	© □	

BALDOR - RELIANCE®

3PH, DV, 9 LEADS, DELTA CONNECTION

SH 1 of 1