

ABB BALDOR RELIANCE III

Customer information packet

GNEM2515T-CI

20HP//15KW, 1775//1465RPM, 3PH, 60//50HZ, 25

Class - None

Division - Not Applicable

Specifications

Enclosure	ODP
Frame	256T
Frame Material	Iron
Frequency	50.00 Hz 60.00 Hz
Haz Area Class and Group	None
Haz Area Division	Not Applicable
Motor Letter Type	Three Phase
Output @ Frequency	20.000 HP @ 60 HZ 15.000 KW @ 50 HZ
Phase	3
Synchronous Speed @ Frequency	1500 RPM @ 50 HZ
Voltage @ Frequency	190.0 V @ 50 HZ 208.0 V @ 60 HZ 230.0 V @ 60 HZ 380.0 V @ 50 HZ 460.0 V @ 60 HZ
Agency Approvals	WEEE UKCA NEMA PREMIUM (OLD LOGO) NEMA PREMIUM IE3 CURUSEEV CE
Ambient Temperature	40 °C
Auxiliary Box	NO AUXILLARY BOX
Auxiliary Box Lead Termination	None
Base Indicator	Rigid
Bearing Grease Type	Polyrex EM (-20F +300F)
Blower	None
Current @ Voltage	58.000 A @ 190.0 V 52.000 A @ 208.0 V

Part Detail

Revision	D
Type	AC
Mech. spec.	09D01
Base	
Status	PRD/A
Elec. spec.	09WGT636
Layout	09LYD001
Eff. date	12-20-2024
CD Diagram	CD0005
Poles	04
Leads	9#12
Proprietary	False
Created date	08-15-2023

48.000 A @ 230.0 V

29.000 A @ 380.0 V

24.000 A @ 460.0 V

Design Code	A
Drip Cover	No Drip Cover
Duty Rating	CONT
Efficiency @ 100% Load	93.0 %
Electrically Isolated Bearing	Not Electrically Isolated
Feedback Device	NO FEEDBACK
Front Shaft Indicator	None
Heater Indicator	No Heater
High Voltage Full Load Amps	24.0 a
Insulation Class	F
Inverter Code	Inverter Duty
IP Rating	NONE
KVA Code	J
Lifting Lugs	Standard Lifting Lugs
Locked Bearing Indicator	No Locked Bearing
Motor Lead Quantity/Wire Size	9 @ 12 AWG
Motor Lead Termination	Flying Leads
Motor Standards	NEMA
Motor Type	0950M
Mounting Arrangement	F1
Number of Poles	4
Overall Length	22.38 IN
Power Factor	83
Product Family	General Purpose
Pulley End Bearing Type	Ball
Pulley Face Code	Standard
Pulley Shaft Indicator	Standard
Rodent Screen	None
RoHS Status	ROHS COMPLIANT
Service Factor	1.15
Shaft Diameter	1.625 IN

Shaft Ground Indicator	No Shaft Grounding
Shaft Rotation	Reversible
Shaft Slinger Indicator	No Slinger
Speed	1465 rpm 1775 rpm
Speed Code	Single Speed
Starting Method	Direct on line
Thermal Device - Bearing	None
Thermal Device - Winding	None
Vibration Sensor Indicator	No Vibration Sensor
Winding Thermal 1	None
Winding Thermal 2	None

Nameplate

NP4304L									
CAT.NO.	GNEM2515T-CI								
SPEC.	09D001T636G1								
HP	20HP//15KW				PH	3			
VOLTS	208-230/460//190/380								
AMPS	52-48/24//58/29								
R.P.M. (1/MIN)	1775//1465				WT.	130	KG		
FRAME	256T	HZ	60//50		I.P.	22			
SER.F.	1.15	CODE	J	DES.	A	CLASS	F		
NOM.EFF.	93//91.5		% (100%)						
P.F.	83	IC01, 10:1 VT							
RATING	40C AMB-S1 CONT				CC	010A			
DE	6309	ODE	6208						
ENCL	ODP	SN							
	SFA 58-56/28//66/33								
	IE3-50HZ 93.3(75%),92.9(50%)								
	IE3-60HZ 93.1(75%),91.8(50%)								

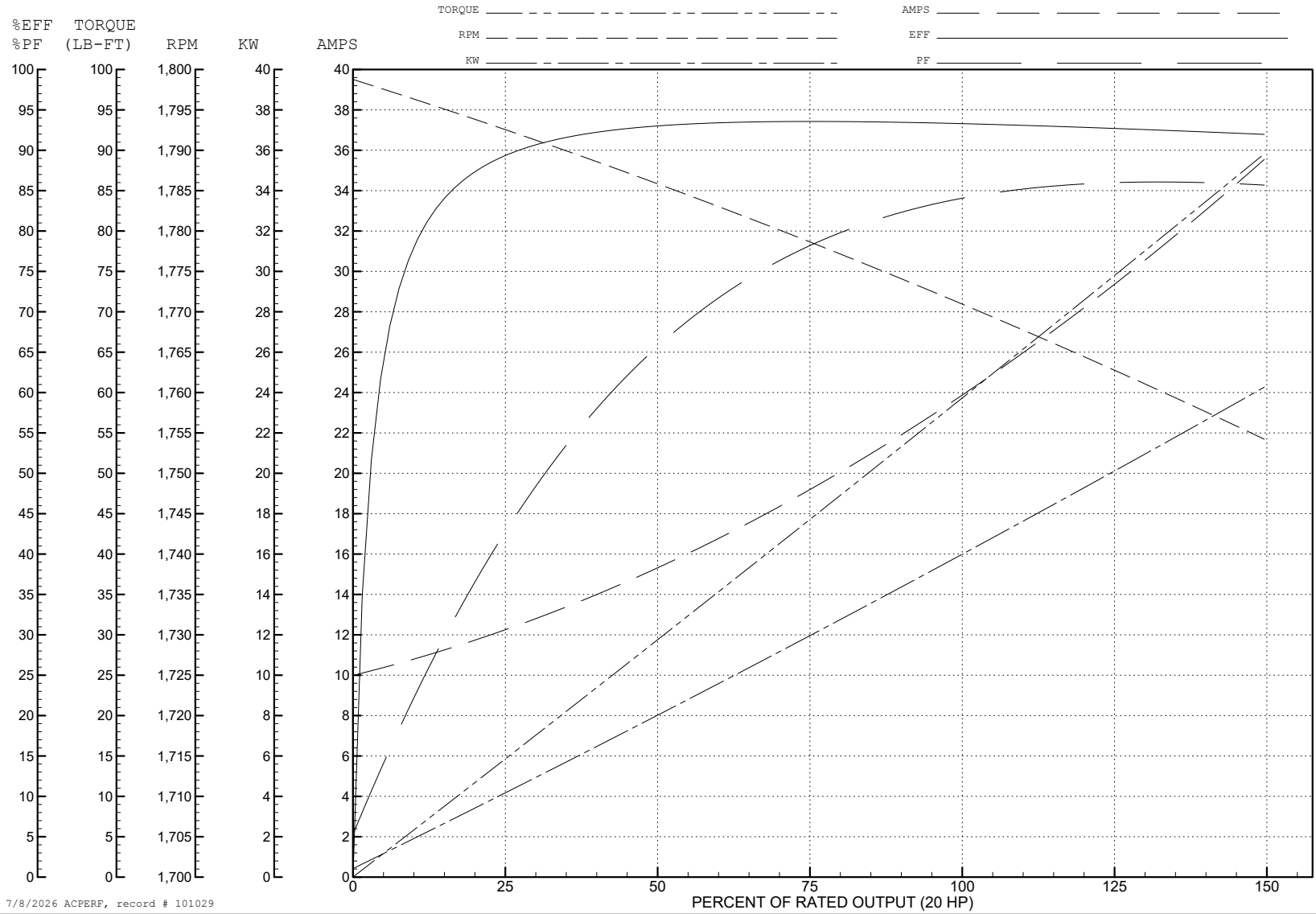
ABB Motors and Mechanical Inc.

WINDING # 09WGT636

Typical performance - not guaranteed values.

20 HP 3 PH 60 HZ 1771 RPM 460 V 0950M

TORQUES (LB-FT): PO=193 PU=101 LR=120 LRA=180



7/8/2026 ACPERF, record # 101029

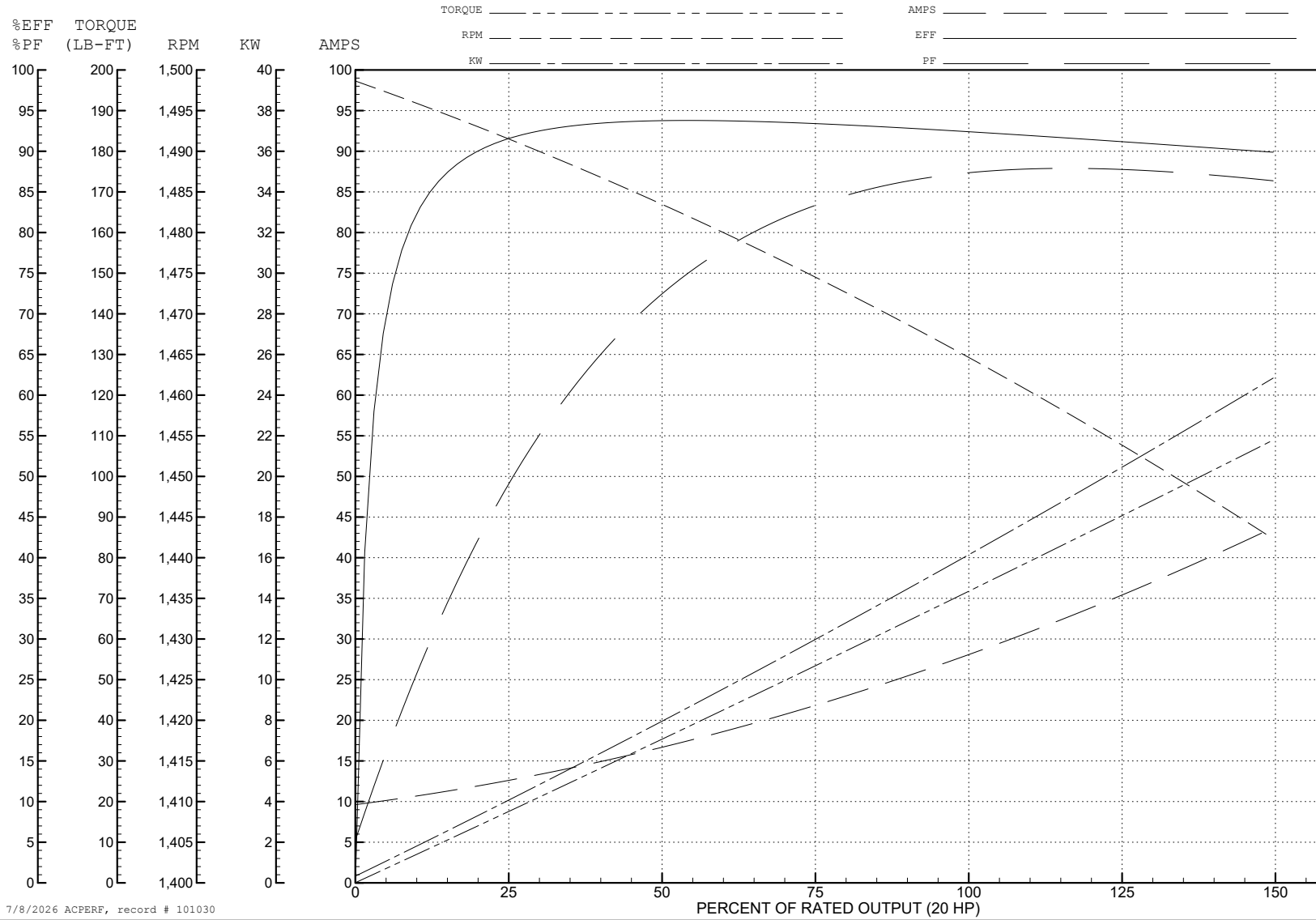
ABB Motors and Mechanical Inc.

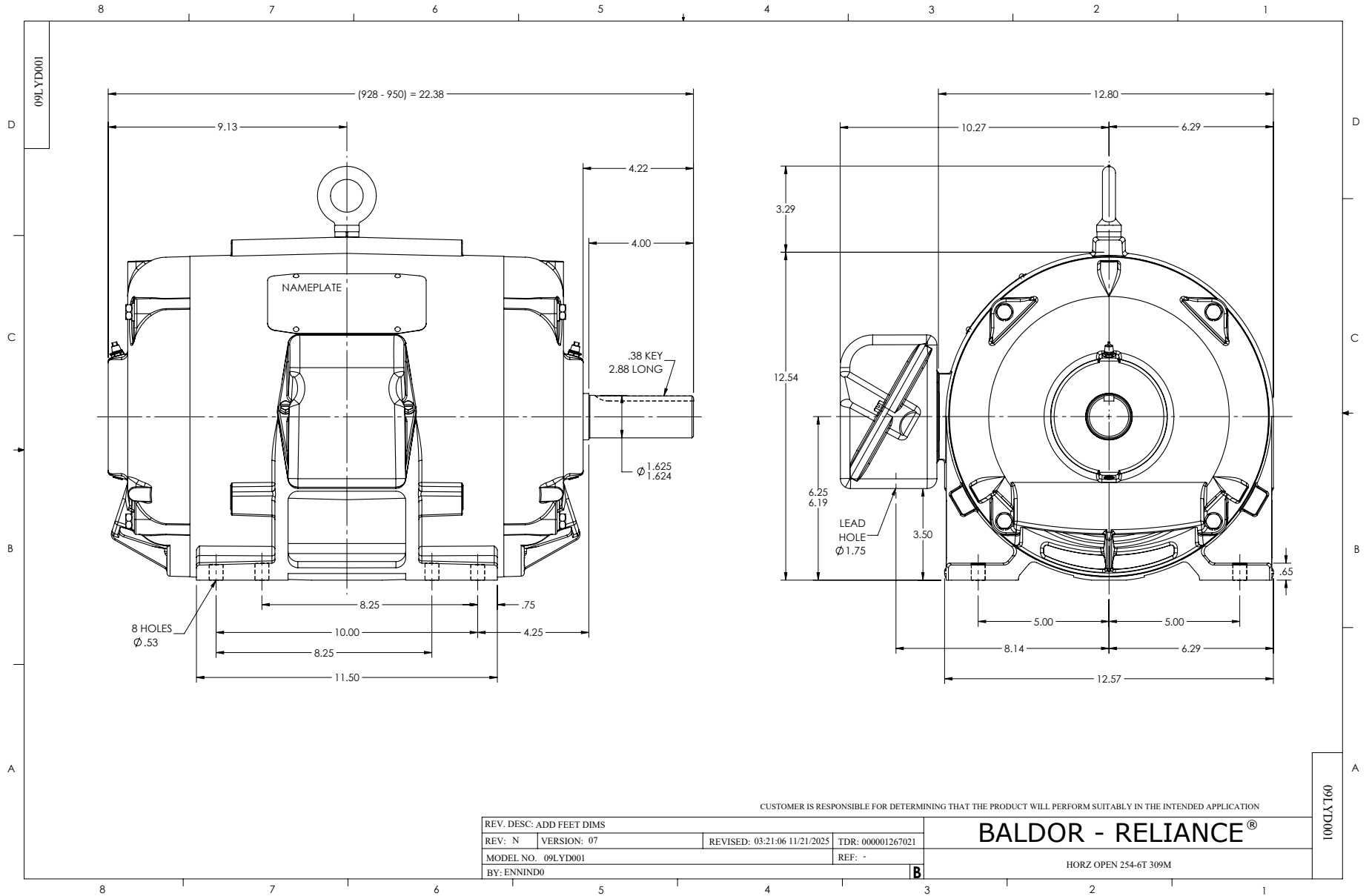
WINDING # 09WGT636

Typical performance - not guaranteed values.

20 HP 3 PH 50 HZ 1465 RPM 380 V 0950M

TORQUES (LB-FT): PO=186 PU=104 LR=124 LRA=174





CD0005

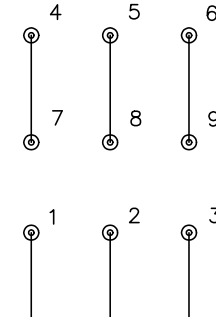


LOW VOLTAGE
(2Y)



LINE

HIGH VOLTAGE
(1Y)



LINE

NOTES:

1. INTERCHANGE ANY TWO LINE LEADS TO REVERSE ROTATION.
2. OPTIONAL THERMOSTATS ARE PROVIDED WHEN SPECIFIED.
3. ACTUAL NUMBER OF INTERNAL PARALLEL CIRCUITS MAY BE A MULTIPLE OF THOSE SHOWN ABOVE.
4. LEAD COLORS ARE OPTIONAL. LEADS MUST ALWAYS BE NUMBERED AS SHOWN.

CD0005

REV. DESC: REVISE TO SHOW OPTIONAL COLORS

REV. LTR: E BY: JLP REVISED: 01/19/99 10:15 TDR: 0171435

500000

FILE: AAA00005140

MDL: -

MTL: -

BALDOR ELECTRIC Co.

3PH, DV, 9 LEADS