

BALDOR • RELIANCE

Customer information packet

GNEM2513T

15HP//11KW, 1770//1470 1/MINRPM, 3PH, 60//5

Class - None

Division - Not Applicable

Copyright © All product information within this document is subject to ABB Motors and Mechanical Inc. copyright © protection, unless otherwise noted.

4/18/2025 2:01:06 PM

Specifications

Enclosure	OPSB
Frame	254T
Frame Material	Steel
Frequency	50.00 Hz 60.00 Hz
Haz Area Class and Group	None
Haz Area Division	Not Applicable
Motor Letter Type	Three Phase
Output @ Frequency	15.000 HP @ 60 HZ 11.000 KW @ 50 HZ
Phase	3
Synchronous Speed @ Frequency	1800 RPM @ 60 HZ
Voltage @ Frequency	208.0 V @ 60 HZ 190.0 V @ 50 HZ 230.0 V @ 60 HZ 380.0 V @ 50 HZ 460.0 V @ 60 HZ
Agency Approvals	WEEE UKCA NEMA_PREMIUM NEMA PREMIUM IE3 CURUS CE
Ambient Temperature	40 °C
Auxillary Box	No Auxillary Box
Auxillary Box Lead Termination	None
Base Indicator	Rigid
Bearing Grease Type	Polyrex EM (-20F +300F)
Blower	None
Current @ Voltage	44.000 A @ 190.0 V 40.000 A @ 208.0 V 38.000 A @ 230.0 V

Part detail

Revision	G
Type	AC
Mech. spec.	39K57
Base	
Status	PRD/A
Elec. spec.	39WGX952
Layout	39LYK057
Eff. date	04-26-2024
CD Diagram	CD0180
Poles	04
Leads	9#10
Proprietary	False
Created date	04-12-2023

22.000 A @ 380.0 V

19.000 A @ 460.0 V

Design Code	A
Drip Cover	No Drip Cover
Duty Rating	CONT
Efficiency @ 100% Load	93.0 %
Electrically Isolated Bearing	Not Electrically Isolated
Feedback Device	NO FEEDBACK
Front Shaft Indicator	None
Heater Indicator	No Heater
High Voltage Full Load Amps	19.0 a
Insulation Class	F
Inverter Code	Inverter Ready
KVA Code	K
Lifting Lugs	Standard Lifting Lugs
Locked Bearing Indicator	No Locked Bearing
Motor Lead Quantity/Wire Size	9 @ 10 AWG
Motor Lead Termination	Flying Leads
Motor Standards	NEMA
Motor Type	3948M
Mounting Arrangement	F1
Number of Poles	4
Overall Length	23.19 IN
Power Factor	81
Product Family	General Purpose
Pulley End Bearing Type	Ball
Pulley Face Code	Standard
Pulley Shaft Indicator	Standard
Rodent Screen	None
RoHS Status	ROHS COMPLIANT
Service Factor	1.15
Shaft Diameter	1.625 IN
Shaft Ground Indicator	No Shaft Grounding
Shaft Rotation	Reversible

Shaft Slinger Indicator	No Slinger
Speed	1470 rpm 1770 rpm
Speed Code	Single Speed
Starting Method	Direct on line
Thermal Device - Bearing	None
Thermal Device - Winding	None
Vibration Sensor Indicator	No Vibration Sensor
Winding Thermal 1	None
Winding Thermal 2	None

Nameplate

NP4304L

CAT.NO.	GNEM2513T					
SPEC.	39K057X952G2					
HP	15HP/11KW	PH	3			
VOLTS	208-230/460//190/380					
AMPS	40-38/19//44/22					
R.P.M. (1/MIN)	1770//1470			WT.	113KG	KG
FRAME	254T	HZ	60//50	I.P.	22	
SER.F.	1.15	CODE	K	DES.	A	CLASS F
NOM.EFF.	93.0//91.5		% (100%)			
P.F.	81	IC01, 10:1 VT				
RATING	40C AMB-S1 CONT		CC	010A		
DE	6309	ODE	6208			
ENCL	OPSB	SN				
	IE3-50HZ 93.1(75%),92.9(50%)					
	IE3-60HZ 93.0(75%),92.0(50%)					
	SFA 44-42/21//50/25					

AC Induction Motor Performance Data

Record # 102550

Typical performance - not guaranteed values

Winding: 39WGX952-R008		Type: 3948M		Enclosure: OPSB	
Nameplate Data			460 V, 60 Hz: High Voltage Connection		
Rated Output (HP)	15HP//11KW		Full Load Torque	44.39 LB-FT	
Volts	208-230/460//190/380		Start Configuration	direct on line	
Full Load Amps	40-38/19//44/22		Breakdown Torque	176 LB-FT	
R.P.M.	1770//1470		Pull-up Torque	94.8 LB-FT	
Hz	60//50	Phase	3	Locked-rotor Torque	106 LB-FT
NEMA Design Code	A	KVA Code	K	Starting Current	154 A
Service Factor (S.F.)	1.15		No-load Current	9.37 A	
NEMA Nom. Eff.	93	Power Factor	81	Line-line Res. @ 25°C	0.48293 Ω
Rating - Duty	40C AMB-CONT		Temp. Rise @ Rated Load	25°C	
S.F. Amps	44-42/21//50/25		Temp. Rise @ S.F. Load	30°C	
			Locked-rotor Power Factor	33.2	
			Rotor inertia	2.1 lb-ft ²	

Load Characteristics 460 V, 60 Hz, 15 HP

% of Rated Load	25	50	75	100	125	150	S.F.
Power Factor	39	61	73	80	83	85	82
Efficiency	87.3	92	93	93.4	93.1	92.5	93.2
Speed	1794.8	1789.9	1784.6	1778.8	1772.3	1765.4	1775
Line amperes	10.4	12.5	15.5	18.9	22.6	26.8	21.1

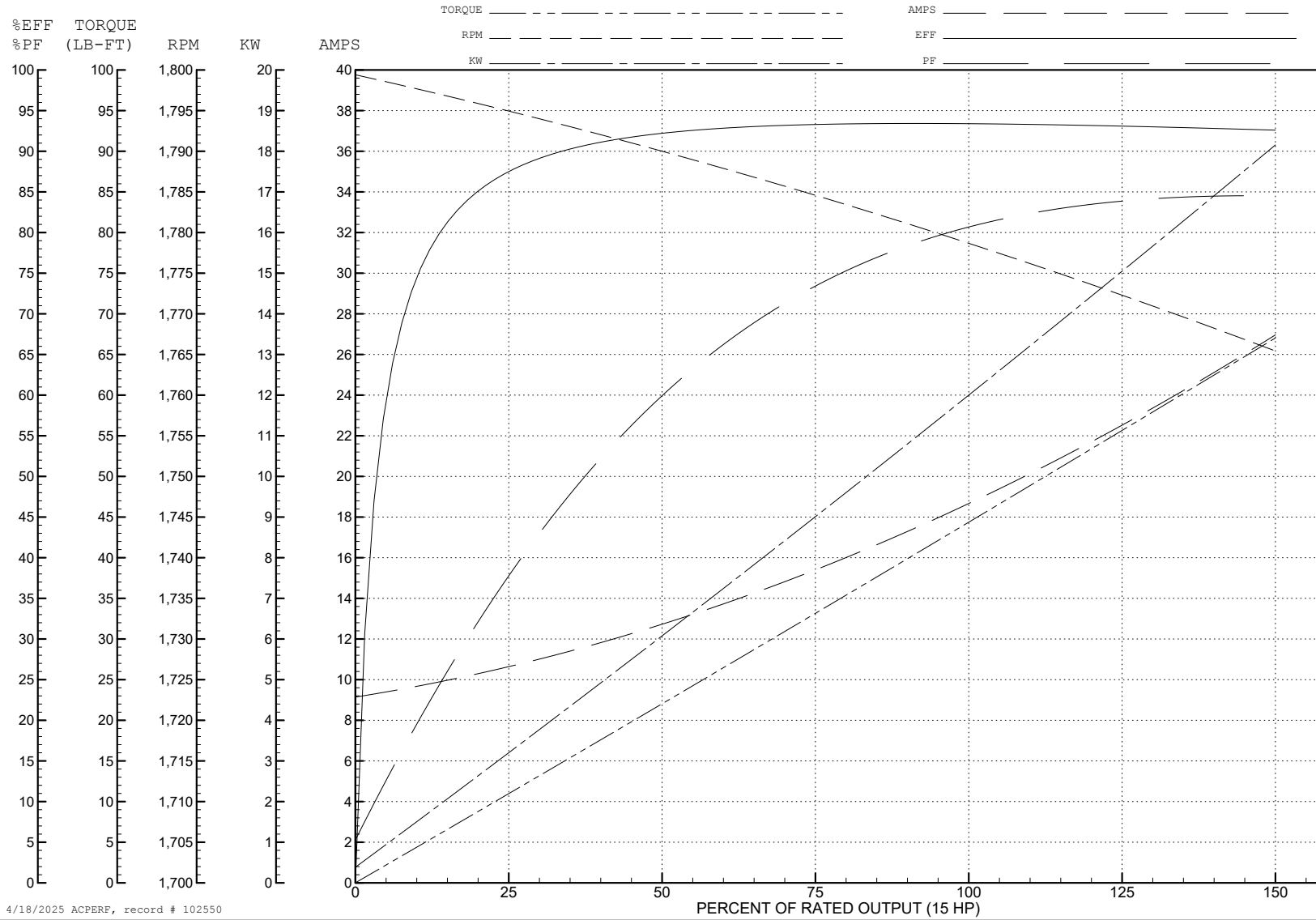
ABB Motors and Mechanical Inc.

WINDING # 39WGX952

Typical performance - not guaranteed values.

15 HP 3 PH 60 HZ 1778.8 RPM 460 V 3948M

TORQUES (LB-FT): PO=176 PU=94.8 LR=106 LRA=154



4/18/2025 ACPERF, record # 102550

AC Induction Motor Performance Data

Record # 102551

Typical performance - not guaranteed values

Winding: 39WGX952-R008		Type: 3948M	Enclosure: OPSB	
Nameplate Data			380 V, 50 Hz: High Voltage Connection	
Rated Output (HP)	15HP//11KW	Full Load Torque	53.67 LB-FT	
Volts	208-230/460//190/380	Start Configuration	direct on line	
Full Load Amps	40-38/19//44/22	Breakdown Torque	174 LB-FT	
R.P.M.	1770//1470	Pull-up Torque	92.3 LB-FT	
Hz	60//50 Phase	Locked-rotor Torque	103 LB-FT	
NEMA Design Code	A KVA Code	Starting Current	150 A	
Service Factor (S.F.)	1.15	No-load Current	9.12 A	
NEMA Nom. Eff.	93 Power Factor	Line-line Res. @ 25°C	0.47956 Ω	
Rating - Duty	40C AMB-CONT	Temp. Rise @ Rated Load	34°C	
S.F. Amps	44-42/21//50/25	Temp. Rise @ S.F. Load	39°C	
		Locked-rotor Power Factor	36.7	
		Rotor inertia	2.1 lb-ft ²	

Load Characteristics 380 V, 50 Hz, 15 HP

% of Rated Load	25	50	75	100	125	150	S.F.
Power Factor	45	68	79	83	85	86	84
Efficiency	89.5	92.8	93.1	92.5	92	91.6	92.2
Speed	1493.4	1486.4	1478.9	1470.8	1465.3	1461.5	1468
Line amperes	10.5	13.5	17.5	22	25	27.1	23.8

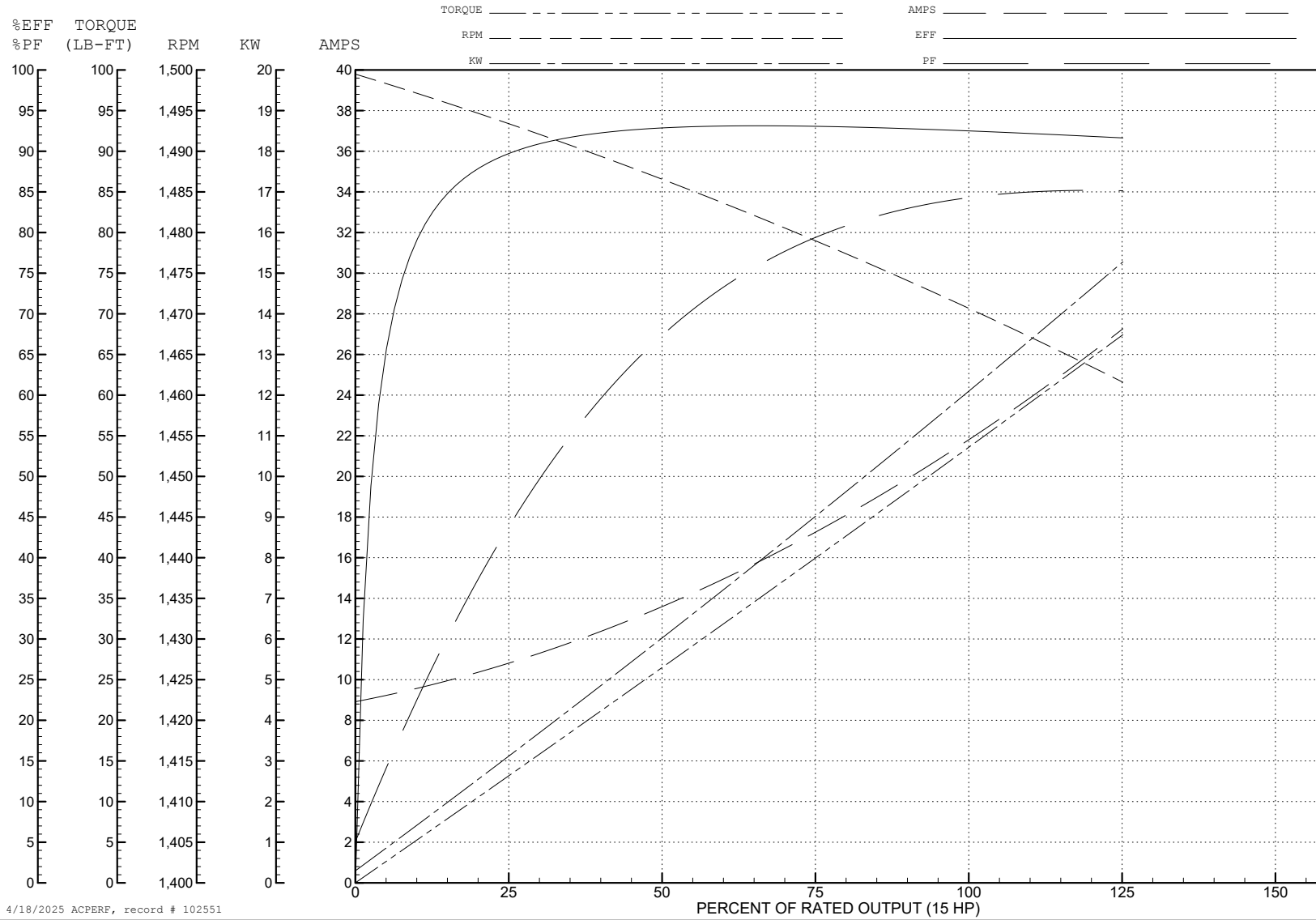
ABB Motors and Mechanical Inc.

WINDING # 39WGX952

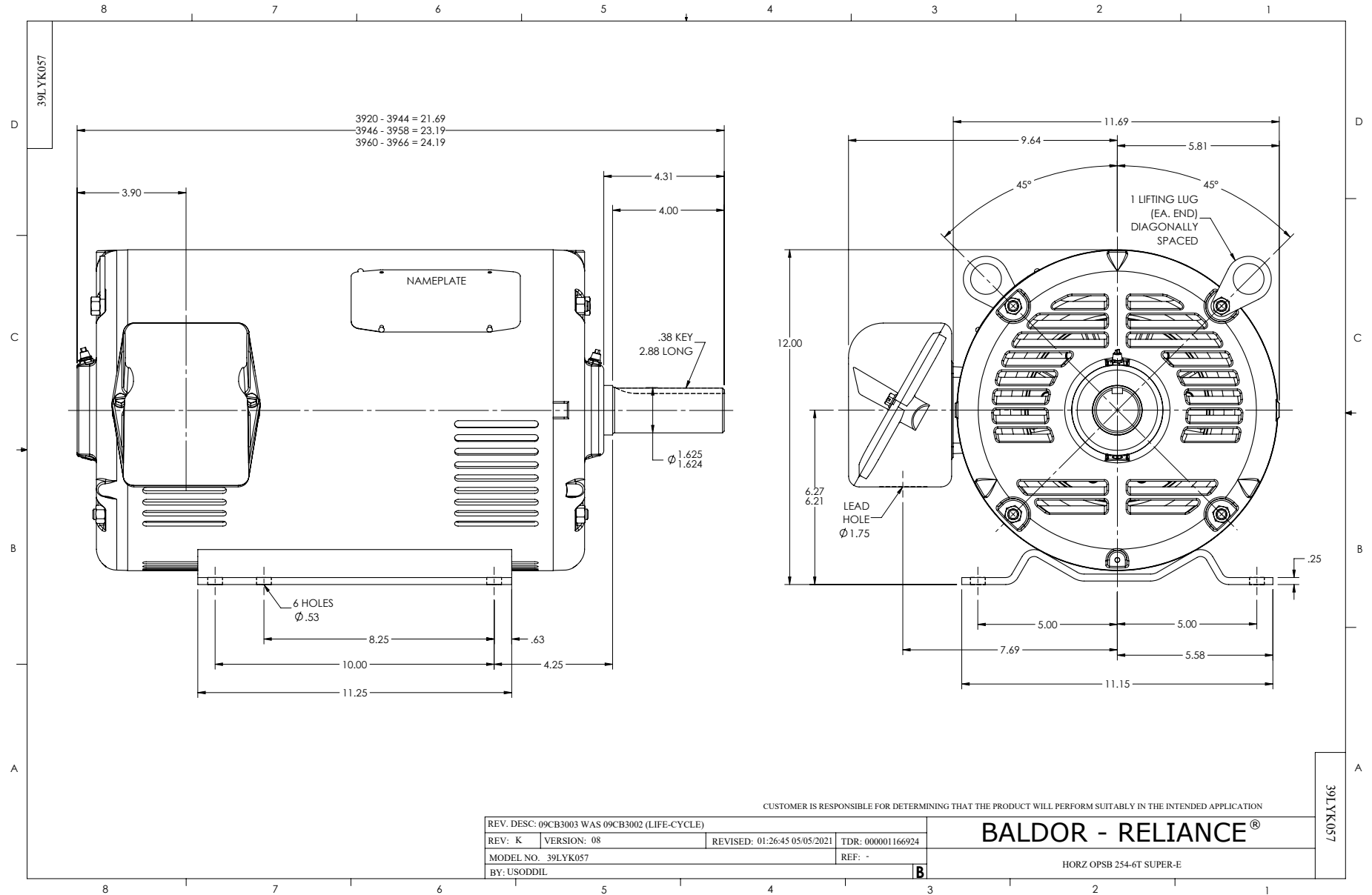
Typical performance - not guaranteed values.

15 HP 3 PH 50 HZ 1470.8 RPM 380 V 3948M

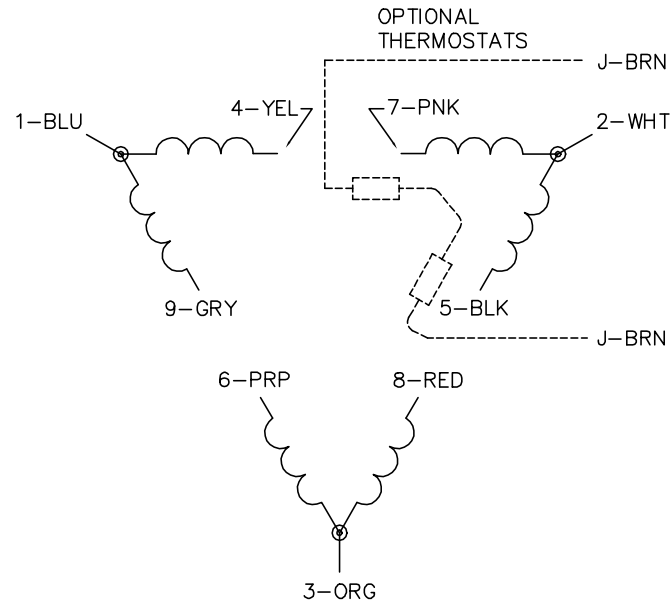
TORQUES (LB-FT): PO=174 PU=92.3 LR=103 LRA=150



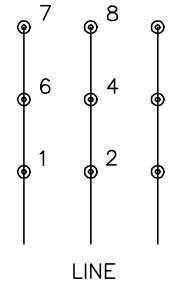
4/18/2025 ACPERF, record # 102551



CD0180



LOW VOLTAGE
(2D)



HIGH VOLTAGE
(1D)



NOTES:

1. INTERCHANGE ANY TWO LINE LEADS TO REVERSE ROTATION.
2. OPTIONAL THERMOSTATS ARE PROVIDED WHEN SPECIFIED.
3. ACTUAL NUMBER OF INTERNAL PARALLEL CIRCUITS MAY BE A MULTIPLE OF THOSE SHOWN ABOVE.
4. LEAD COLORS ARE OPTIONAL. LEADS MUST ALWAYS BE NUMBERED AS SHOWN.

CD0180

REV. DESC: ADD CLASS CONN00000007		
REV. LTR: D	VERSION: 01	TDR: 000001099922
FILE: \AAA\00005\148	REVISED: 10: 25: 29 02/19/2019	BY: ENBRIRO
MTL: -	© □	

BALDOR - RELIANCE®

3PH, DV, 9 LEADS, DELTA CONNECTION

SH 1 of 1