

# ABB BALDOR RELIANCE III

---

## Customer information packet

### GNEM2513T-CI

15HP//11KW, 1775//1470 1/MINRPM, 3PH, 60//5

Class - None

Division - Not Applicable

**Specifications**

<b>Enclosure</b>	OPEN
<b>Frame</b>	254T
<b>Frame Material</b>	Iron
<b>Frequency</b>	50.00 Hz 60.00 Hz
<b>Haz Area Class and Group</b>	None
<b>Haz Area Division</b>	Not Applicable
<b>Motor Letter Type</b>	Three Phase
<b>Output @ Frequency</b>	15.000 HP @ 60 HZ 11.000 KW @ 50 HZ
<b>Phase</b>	3
<b>Synchronous Speed @ Frequency</b>	1500 RPM @ 50 HZ
<b>Voltage @ Frequency</b>	190.0 V @ 50 HZ 208.0 V @ 60 HZ 230.0 V @ 60 HZ 380.0 V @ 50 HZ 460.0 V @ 60 HZ
<b>Agency Approvals</b>	WEEE UKCA NEMA PREMIUM (OLD LOGO) NEMA PREMIUM IE3 CURUSEEV CE
<b>Ambient Temperature</b>	40 °C
<b>Auxiliary Box</b>	NO AUXILLARY BOX
<b>Auxiliary Box Lead Termination</b>	None
<b>Base Indicator</b>	Rigid
<b>Bearing Grease Type</b>	Polyrex EM (-20F +300F)
<b>Blower</b>	None
<b>Current @ Voltage</b>	46.000 A @ 190.0 V 40.000 A @ 230.0 V

**Part Detail**

<b>Revision</b>	G
<b>Type</b>	AC
<b>Mech. spec.</b>	09D01
<b>Base</b>	
<b>Status</b>	PRD/A
<b>Elec. spec.</b>	09WGT627
<b>Layout</b>	09LYD001
<b>Eff. date</b>	12-20-2024
<b>CD Diagram</b>	CD0180
<b>Poles</b>	04
<b>Leads</b>	9#12
<b>Proprietary</b>	False
<b>Created date</b>	04-12-2023

40.000 A @ 208.0 V

23.000 A @ 380.0 V

20.000 A @ 460.0 V

<b>Design Code</b>	A
<b>Drip Cover</b>	No Drip Cover
<b>Duty Rating</b>	CONT
<b>Efficiency @ 100% Load</b>	93.0 %
<b>Electrically Isolated Bearing</b>	Not Electrically Isolated
<b>Feedback Device</b>	NO FEEDBACK
<b>Front Shaft Indicator</b>	None
<b>Heater Indicator</b>	No Heater
<b>High Voltage Full Load Amps</b>	20.0 a
<b>Insulation Class</b>	F
<b>Inverter Code</b>	Inverter Ready
<b>IP Rating</b>	NONE
<b>KVA Code</b>	L
<b>Lifting Lugs</b>	Standard Lifting Lugs
<b>Locked Bearing Indicator</b>	No Locked Bearing
<b>Motor Lead Quantity/Wire Size</b>	9 @ 12 AWG
<b>Motor Lead Termination</b>	Flying Leads
<b>Motor Standards</b>	NEMA
<b>Motor Type</b>	0948M
<b>Mounting Arrangement</b>	F1
<b>Number of Poles</b>	4
<b>Overall Length</b>	22.38 IN
<b>Power Factor</b>	77
<b>Product Family</b>	General Purpose
<b>Pulley End Bearing Type</b>	Ball
<b>Pulley Face Code</b>	Standard
<b>Pulley Shaft Indicator</b>	Standard
<b>Rodent Screen</b>	None
<b>RoHS Status</b>	ROHS COMPLIANT
<b>Service Factor</b>	1.15
<b>Shaft Diameter</b>	1.625 IN

<b>Shaft Ground Indicator</b>	No Shaft Grounding
<b>Shaft Rotation</b>	Reversible
<b>Shaft Slinger Indicator</b>	No Slinger
<b>Speed</b>	1475 rpm 1780 rpm
<b>Speed Code</b>	Single Speed
<b>Starting Method</b>	Direct on line
<b>Thermal Device - Bearing</b>	None
<b>Thermal Device - Winding</b>	None
<b>Vibration Sensor Indicator</b>	No Vibration Sensor
<b>Winding Thermal 1</b>	None
<b>Winding Thermal 2</b>	None

**Nameplate**

<b>NP4304L</b>									
<b>CAT.NO.</b>	GNEM2513T-CI								
<b>SPEC.</b>	09D001T627G1								
<b>HP</b>	15HP/11KW				<b>PH</b>	3			
<b>VOLTS</b>	208-230/460//190/380								
<b>AMPS</b>	40/20//46/23								
<b>R.P.M. (1/MIN)</b>	1780//1475				<b>WT.</b>	130KG	<b>KG</b>		
<b>FRAME</b>	254T	<b>HZ</b>	60//50		<b>I.P.</b>	23			
<b>SER.F.</b>	1.15	<b>CODE</b>	L	<b>DES.</b>	A	<b>CLASS</b>	F		
<b>NOM.EFF.</b>	93//91.5		<b>% (100%)</b>						
<b>P.F.</b>	77	IC01, 10:1 VT							
<b>RATING</b>	40C AMB-S1 CONT			<b>CC</b>	010A				
<b>DE</b>	6309	<b>ODE</b>	6208						
<b>ENCL</b>	OPEN	<b>SN</b>							
	IE3-60HZ-93.3(75%),92.1(50%)								
	IE3 50HZ 93.1(75%),92.6(50%)								
	SFA 46-44/22//48/24								

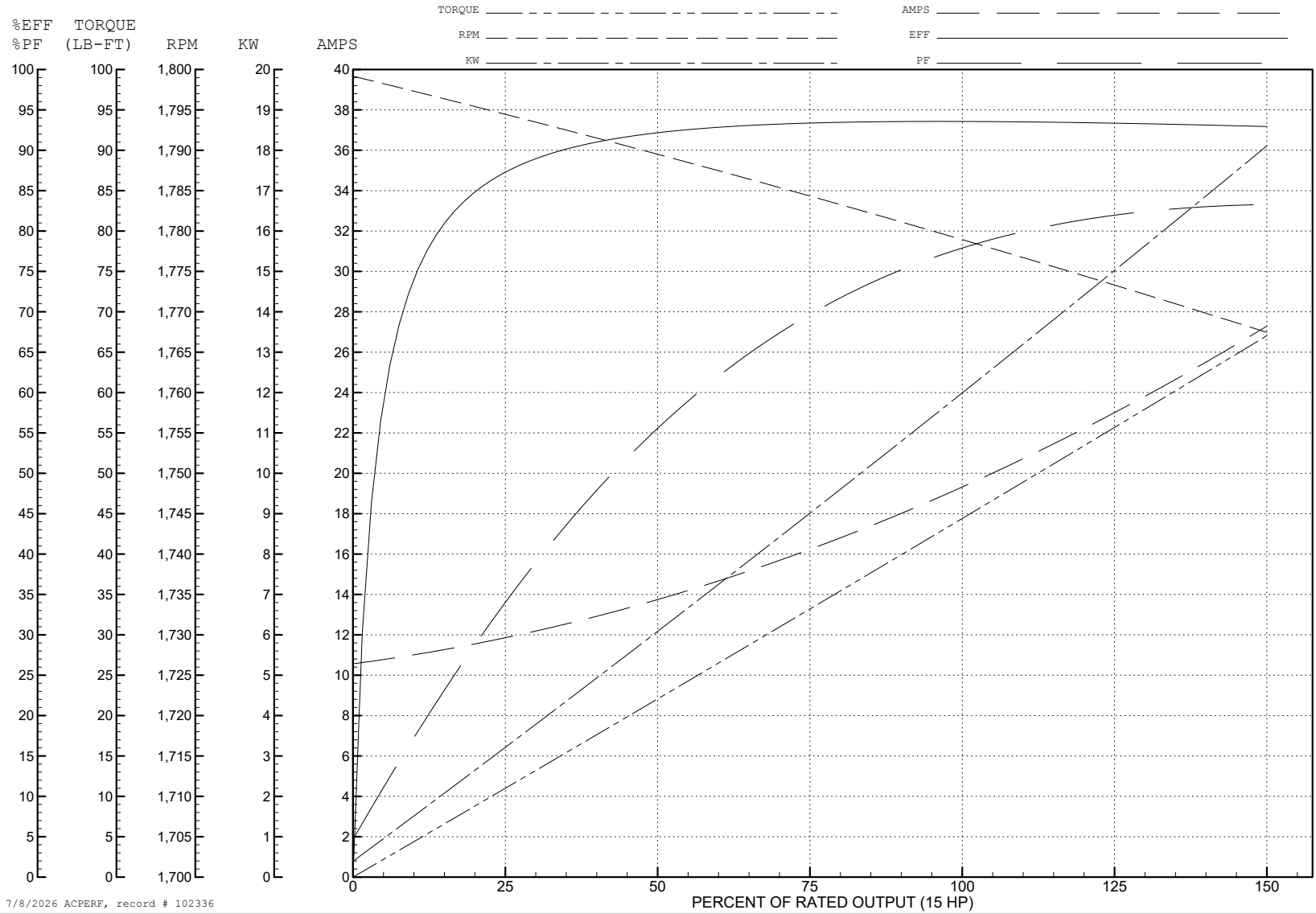
ABB Motors and Mechanical Inc.

WINDING # 09WGT627

Typical performance - not guaranteed values.

15 HP 3 PH 60 HZ 1778.8 RPM 460 V 0948M

TORQUES (LB-FT): PO=179 PU=95.7 LR=99.8 LRA=174



7/8/2026 ACPERF, record # 102336

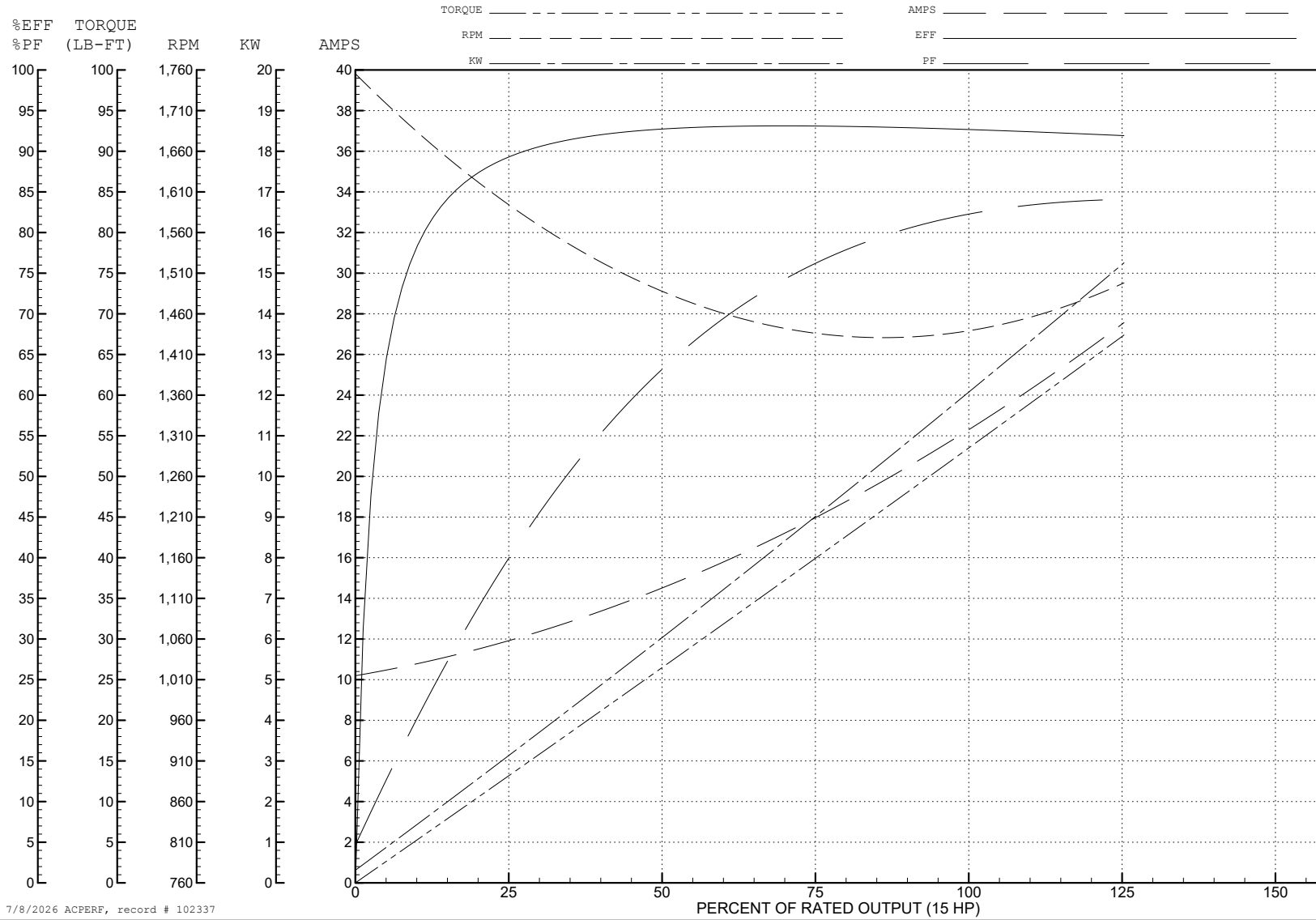
ABB Motors and Mechanical Inc.

WINDING # 09WGT627

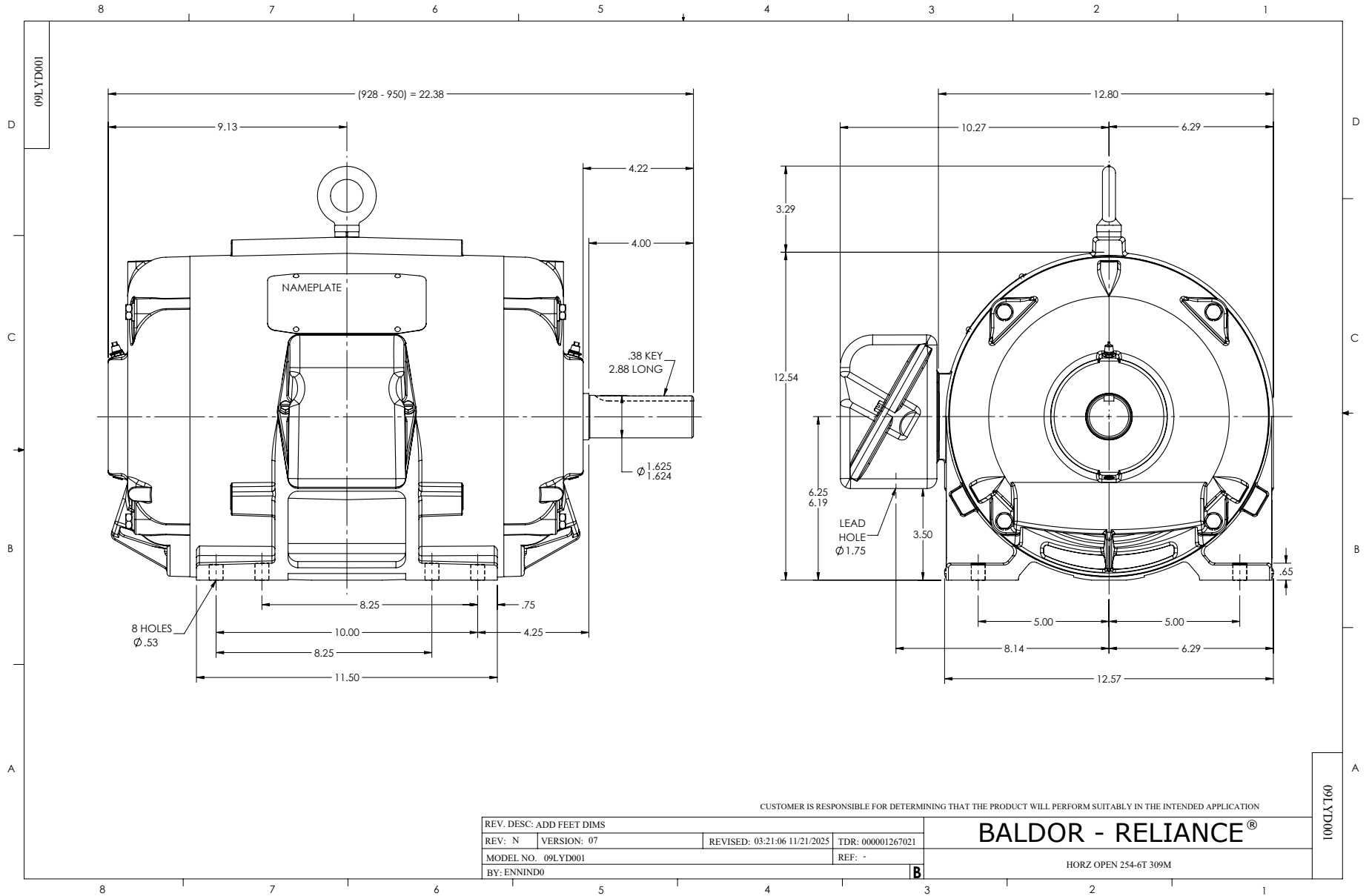
Typical performance - not guaranteed values.

15 HP 3 PH 50 HZ 1472.8 RPM 380 V 0948M

TORQUES (LB-FT): PO=176 PU=94 LR=98.1 LRA=173



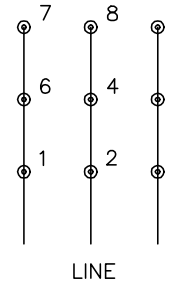
7/8/2026 ACPERF, record # 102337



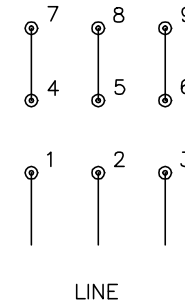
CD0180



LOW VOLTAGE  
(2D)



HIGH VOLTAGE  
(1D)



NOTES:

1. INTERCHANGE ANY TWO LINE LEADS TO REVERSE ROTATION.
2. OPTIONAL THERMOSTATS ARE PROVIDED WHEN SPECIFIED.
3. ACTUAL NUMBER OF INTERNAL PARALLEL CIRCUITS MAY BE A MULTIPLE OF THOSE SHOWN ABOVE.
4. LEAD COLORS ARE OPTIONAL. LEADS MUST ALWAYS BE NUMBERED AS SHOWN.

CD0180

REV. DESC: ADD CLASS CONN00000007		
REV. LTR: D	VERSION: 01	TDR: 000001099922
FILE: \AAA\00005\148	REVISED: 10: 25: 29 02/19/2019	BY: ENBRIRO
MTL: -	© □	

**BALDOR - RELIANCE®**

3PH, DV, 9 LEADS, DELTA CONNECTION

SH 1 of 1