



Customer information packet

GNEM2334T

20HP//15KW, 1770//1465RPM, 3PH, 60//50HZ, 25

Class - None

Division - Not Applicable

Specifications

Enclosure	TEFC
Frame	256T
Frame Material	Iron
Frequency	50.00 Hz 60.00 Hz
Haz Area Class and Group	None
Haz Area Division	Not Applicable
Motor Letter Type	Three Phase
Output @ Frequency	20.000 HP @ 60 HZ 15.000 KW @ 50 HZ
Phase	3
Synchronous Speed @ Frequency	1800 RPM @ 60 HZ
Voltage @ Frequency	190.0 V @ 50 HZ 208.0 V @ 60 HZ 230.0 V @ 60 HZ 380.0 V @ 50 HZ 460.0 V @ 60 HZ
Agency Approvals	CE WEEE UKCA CURUSEEV IE3 NEMA PREMIUM
Ambient Temperature	40 °C
Auxillary Box	No Auxillary Box
Auxillary Box Lead Termination	None
Base Indicator	Rigid
Bearing Grease Type	Polyrex EM (-20F +300F)
Blower	None
Current @ Voltage	58.000 A @ 190.0 V 52.000 A @ 208.0 V 48.000 A @ 230.0 V 29.000 A @ 380.0 V

Part detail

Revision	A
Type	AC
Mech. spec.	09P11
Base	
Status	PRD/A
Elec. spec.	09WGT459
Layout	09LYP011
Eff. date	11-14-2023
CD Diagram	CD0180
Poles	04
Leads	9#10
Proprietary	False
Created date	09-08-2023

	24.000 A @ 460.0 V
Design Code	A
Drip Cover	No Drip Cover
Duty Rating	CONT
Efficiency @ 100% Load	93.0 %
Electrically Isolated Bearing	Not Electrically Isolated
Feedback Device	NO FEEDBACK
Front Shaft Indicator	None
Heater Indicator	No Heater
High Voltage Full Load Amps	24.0 a
Insulation Class	F
Inverter Code	Inverter Duty
KVA Code	J
Lifting Lugs	Standard Lifting Lugs
Locked Bearing Indicator	Locked Bearing
Motor Lead Quantity/Wire Size	9 @ 10 AWG
Motor Lead Termination	Flying Leads
Motor Standards	NEMA
Motor Type	0960M
Mounting Arrangement	F1
Number of Poles	4
Overall Length	23.36 IN
Power Factor	83
Product Family	General Purpose
Pulley End Bearing Type	Ball
Pulley Face Code	Standard
Pulley Shaft Indicator	Standard
Rodent Screen	None
RoHS Status	ROHS COMPLIANT
Service Factor	1.15
Shaft Diameter	1.625 IN
Shaft Ground Indicator	No Shaft Grounding
Shaft Rotation	Reversible
Shaft Slinger Indicator	Shaft Slinger

Speed	1465 rpm 1770 rpm
Speed Code	Single Speed
Starting Method	Direct on line
Thermal Device - Bearing	None
Thermal Device - Winding	None
Vibration Sensor Indicator	No Vibration Sensor
Winding Thermal 1	None
Winding Thermal 2	None

Nameplate

NP4304L									
CAT.NO.	GNEM2334T								
SPEC.	09P011T459G7								
HP	20HP//15KW				PH	3			
VOLTS	208-230/460//190/380								
AMPS	52-48/24//58/29								
R.P.M. (1/MIN)	1770//1465				WT.	145KG	KG		
FRAME	256T	HZ	60//50		I.P.	54			
SER.F.	1.15	CODE	J	DES.	A	CLASS	F		
NOM.EFF.	93//92.1		% (100%)						
P.F.	83	IC411, 10:1 VT							
RATING	40C AMB-S1 CONT			CC	010A				
DE	6309		ODE	6208					
ENCL	TEFC	SN							
	SFA 60-54/27//66/33								
	IE3-50HZ 93.8(75%),93.6 (50%)								
	IE3-60HZ 93.7(75%),93.0(50%)								

AC Induction Motor Performance Data

Record # 101161

Typical performance - not guaranteed values

Winding: 09WGT459-R041		Type: 0960M		Enclosure: TEFC	
Nameplate Data			460 V, 60 Hz: High Voltage Connection		
Rated Output (HP)	20HP//15KW		Full Load Torque	59.27 LB-FT	
Volts	208-230/460//190/380		Start Configuration	direct on line	
Full Load Amps	52-48/24//58/29		Breakdown Torque	232 LB-FT	
R.P.M.	1770//1465		Pull-up Torque	126 LB-FT	
Hz	60//50	Phase	3	Locked-rotor Torque	141 LB-FT
NEMA Design Code	A	KVA Code	J	Starting Current	198 A
Service Factor (S.F.)	1.15		No-load Current	10.4 A	
NEMA Nom. Eff.	93	Power Factor	83	Line-line Res. @ 25°C	0.33814 Ω
Rating - Duty	40C AMB-CONT		Temp. Rise @ Rated Load	58°C	
S.F. Amps	60-54/27//66/33		Temp. Rise @ S.F. Load	70°C	
			Locked-rotor Power Factor	27	
			Rotor inertia	2.65 lb-ft ²	

Load Characteristics 460 V, 60 Hz, 20 HP

% of Rated Load	25	50	75	100	125	150	S.F.
Power Factor	45	67	78	83	86	87	85
Efficiency	89.2	93	93.7	93.6	93.1	92.4	93.3
Speed	1793.2	1786.4	1779.1	1771.9	1763.7	1755.3	1767
Line amperes	11.8	15	19.2	24	29.3	34.9	27.2

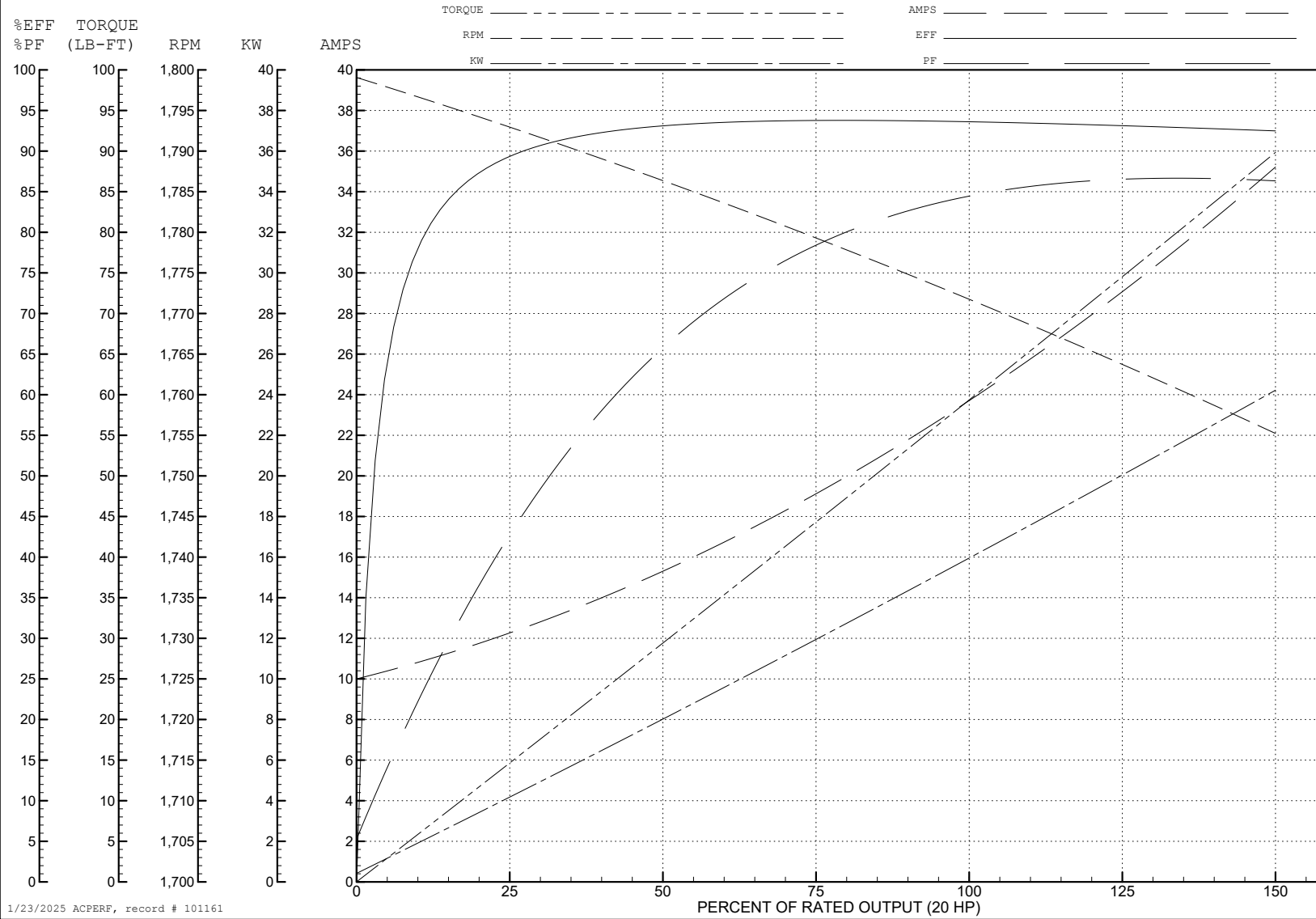
ABB Motors and Mechanical Inc.

WINDING # 09WGT459

Typical performance - not guaranteed values.

20 HP 3 PH 60 HZ 1771.9 RPM 460 V 0960M

TORQUES (LB-FT): PO=232 PU=126 LR=141 LRA=198



1/23/2025 ACPERF, record # 101161

AC Induction Motor Performance Data

Record # 101162

Typical performance - not guaranteed values

Winding: 09WGT459-R041		Type: 0960M	Enclosure: TEFC	
Nameplate Data			380 V, 50 Hz: High Voltage Connection	
Rated Output (HP)	20HP//15KW		Full Load Torque	71.55 LB-FT
Volts	208-230/460//190/380		Start Configuration	direct on line
Full Load Amps	52-48/24//58/29		Breakdown Torque	224 LB-FT
R.P.M.	1770//1465		Pull-up Torque	130 LB-FT
Hz	60//50	Phase 3	Locked-rotor Torque	146 LB-FT
NEMA Design Code	A	KVA Code J	Starting Current	193 A
Service Factor (S.F.)	1.15		No-load Current	10.15 A
NEMA Nom. Eff.	93	Power Factor 83	Line-line Res. @ 25°C	0.332 Ω
Rating - Duty	40C AMB-CONT		Temp. Rise @ Rated Load	72°C
S.F. Amps	60-54/27//66/33		Temp. Rise @ S.F. Load	90°C
			Locked-rotor Power Factor	30
			Rotor inertia	2.65 LB-FT ²

Load Characteristics 380 V, 50 Hz, 20 HP

% of Rated Load	25	50	75	100	125	150	S.F.
Power Factor	51	72	81	85	86	87	85
Efficiency	91.7	93.6	93.8	93.1	92	90.6	93.3
Speed	1492	1484	1475	1467	1456	1445	1767
Line amperes	12.31	16.78	22.38	28.65	35.7	43.41	27.2

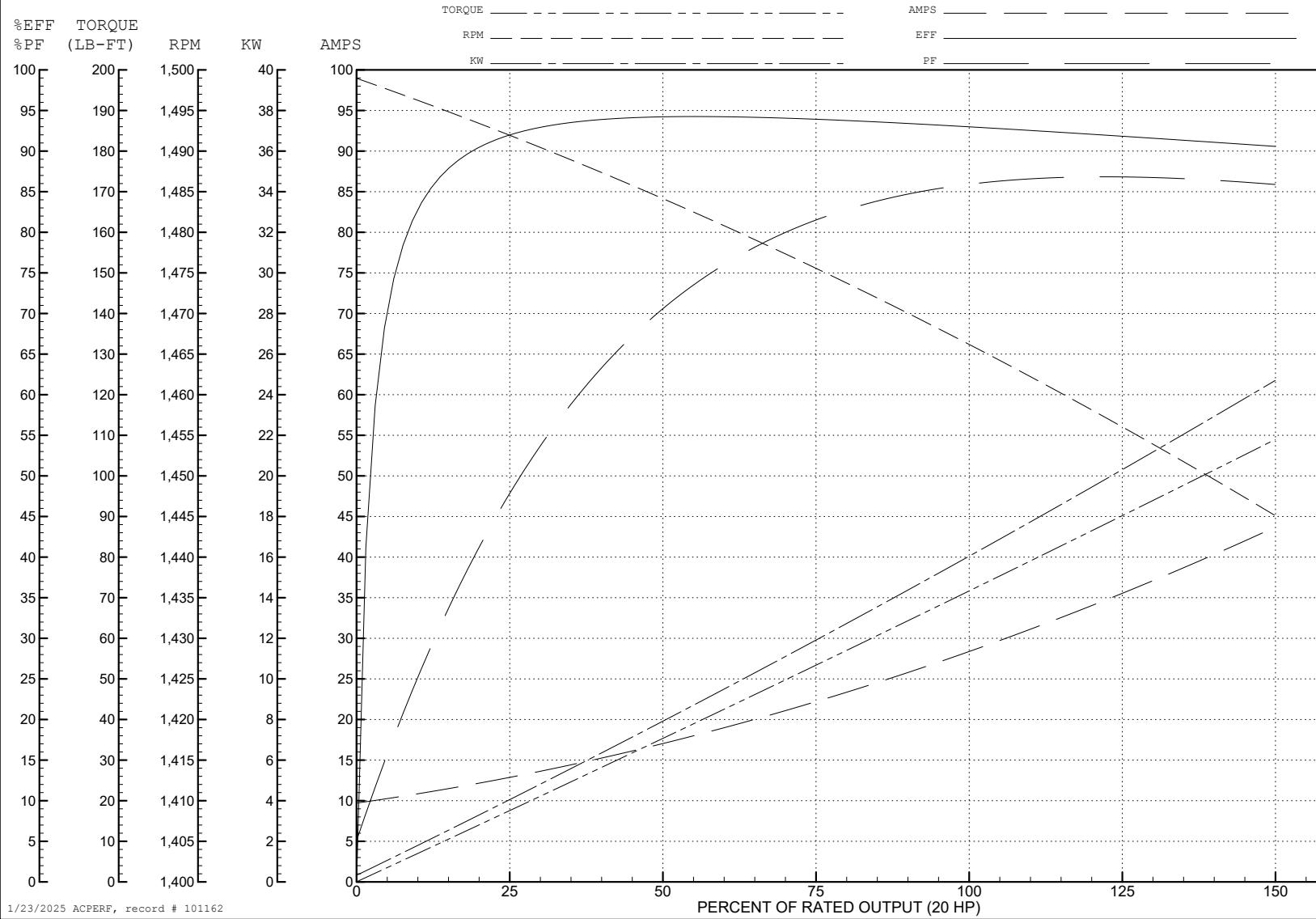
ABB Motors and Mechanical Inc.

WINDING # 09WGT459

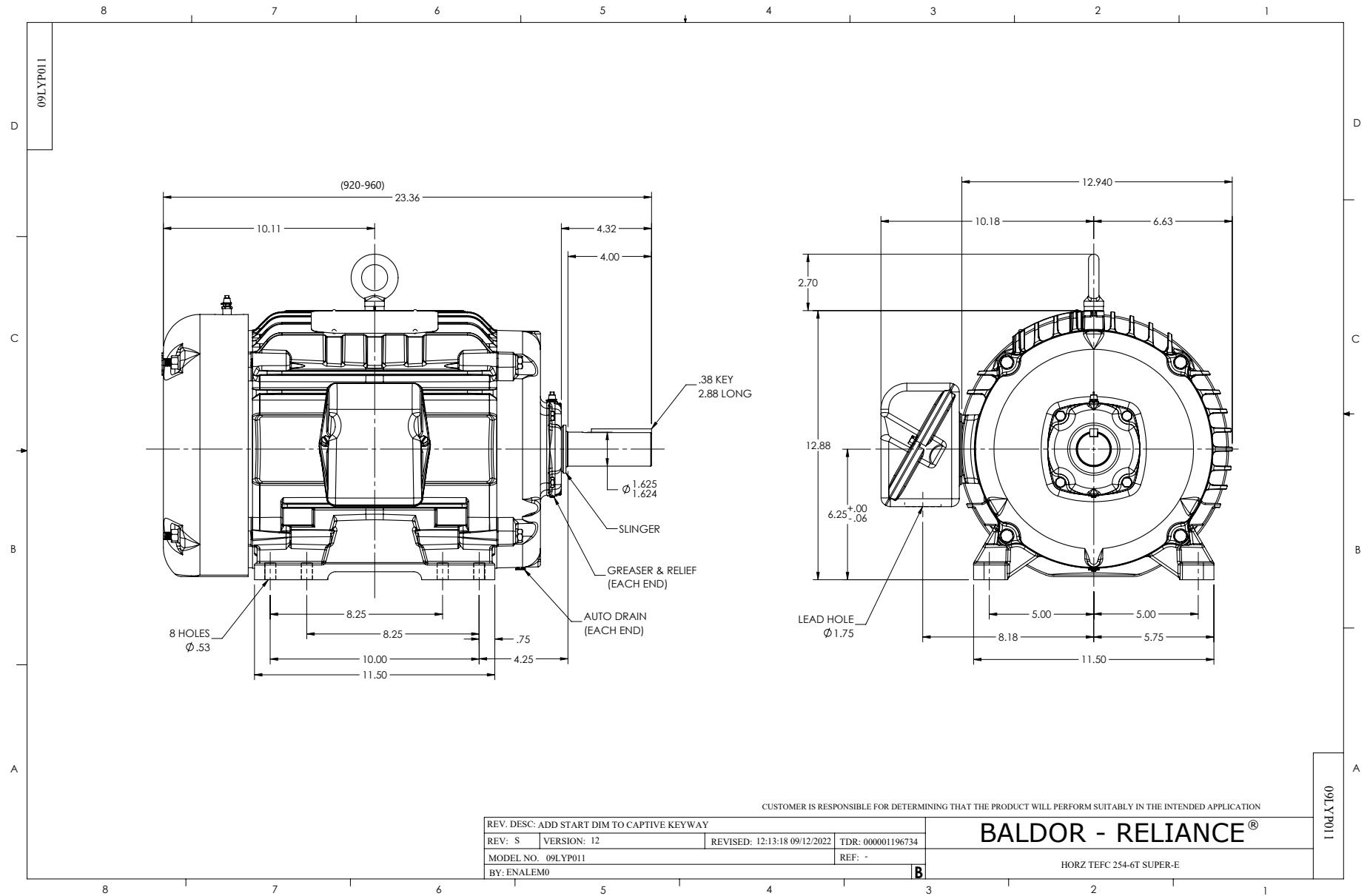
Typical performance - not guaranteed values.

20 HP 3 PH 50 HZ 1467 RPM 380 V 0960M

TORQUES (LB-FT): PO=224 PU=130 LR=146 LRA=193



1/23/2025 ACPERF, record # 101162



CD0180



LOW VOLTAGE
(2D)



HIGH VOLTAGE
(1D)



NOTES:

1. INTERCHANGE ANY TWO LINE LEADS TO REVERSE ROTATION.
2. OPTIONAL THERMOSTATS ARE PROVIDED WHEN SPECIFIED.
3. ACTUAL NUMBER OF INTERNAL PARALLEL CIRCUITS MAY BE A MULTIPLE OF THOSE SHOWN ABOVE.
4. LEAD COLORS ARE OPTIONAL. LEADS MUST ALWAYS BE NUMBERED AS SHOWN.

CD0180

REV. DESC: ADD CLASS CONN00000007		
REV. LTR: D	VERSION: 01	TDR: 000001099922
FILE: \AAA\00005\148	REVISED: 10: 25: 29 02/19/2019	BY: ENBRIRO
MTL: -	© □	

BALDOR - RELIANCE®

3PH, DV, 9 LEADS, DELTA CONNECTION

SH 1 of 1