

ABB BALDOR RELIANCE III

Customer information packet

GDL1607T

7.5HP, 1725RPM, 1PH, 60HZ, 215TZ, 3744LC, ODTF

Class - None

Division - Not Applicable

Specifications

Enclosure	ODTF
Frame	215TZ
Frame Material	Steel
Frequency	60.00 Hz
Haz Area Class and Group	None
Haz Area Division	Not Applicable
Motor Letter Type	Cap Start, Cap Run
Output @ Frequency	7.500 HP @ 60 HZ
Phase	1
Synchronous Speed @ Frequency	1800 RPM @ 60 HZ
Voltage @ Frequency	230.0 V @ 60 HZ
Agency Approvals	UR CSA
Ambient Temperature	40 °C
Auxiliary Box	NO AUXILLARY BOX
Auxiliary Box Lead Termination	None
Base Indicator	Rigid
Bearing Grease Type	Polyrex EM (-20F +300F)
Blower	None
Current @ Voltage	32.000 A @ 230.0 V
Design Code	L
Drip Cover	No Drip Cover
Duty Rating	CONT
Efficiency @ 100% Load	82.5 %
Electrically Isolated Bearing	Not Electrically Isolated
Feedback Device	NO FEEDBACK
Front Face Code	Standard
Front Shaft Indicator	None
Heater Indicator	No Heater
High Voltage Full Load Amps	32.0 a
Insulation Class	F
Inverter Code	Not Inverter

Part Detail

Revision	K
Type	AC
Mech. spec.	37M320
Base	
Status	PRD/A
Elec. spec.	37WG1630
Layout	37LYM320
Eff. date	02-08-2024
CD Diagram	CD0086
Poles	04
Leads	2#8 A PH,2#14 B PH
Proprietary	False
Created date	02-09-2010

KVA Code	J
Lifting Lugs	Standard Lifting Lugs
Locked Bearing Indicator	Locked Bearing
Motor Lead Exit	Cap Box
Motor Lead Quantity/Wire Size	2 @ 8 AWG, A PH
Motor Lead Termination	Flying Leads
Motor Standards	NEMA
Motor Type	3744LC
Mounting Arrangement	F1
Number of Poles	4
Overall Length	22.57 IN
Power Factor	90
Product Family	General Purpose
Pulley End Bearing Type	Sealed Bearing
Pulley Face Code	C-Face
Pulley Shaft Indicator	Standard
Rodent Screen	Included
Service Factor	1.15
Shaft Diameter	1.375 IN
Shaft Extension Location	Pulley End
Shaft Ground Indicator	No Shaft Grounding
Shaft Rotation	Reversible
Shaft Slinger Indicator	Shaft Slinger
Speed	1725 rpm
Speed Code	Single Speed
Starting Method	Direct on line
Thermal Device - Bearing	None
Thermal Device - Winding	Normally Closed Thermostat
Vibration Sensor Indicator	No Vibration Sensor
Winding Thermal 1	None
Winding Thermal 2	None

Nameplate

NP1256L										
CAT.NO.	GDL1607T									
SPEC.	37M320-1630G1									
HP	7.5									
VOLTS	230									
AMP	32									
RPM	1725									
FRAME	215TZ		HZ	60			PH	1		
SER.F.	1.15	CODE	J	DES	L	CLASS	F			
NEMA-NOM-EFF	82.5	PF	90							
RATING	40C AMB-CONT									
CC										
DE	6307	ODE	6206							
ENCL	ODTF	SN								

Accessories

Part number	Description	Multiplier
37-1404	C FACE KIT	A8

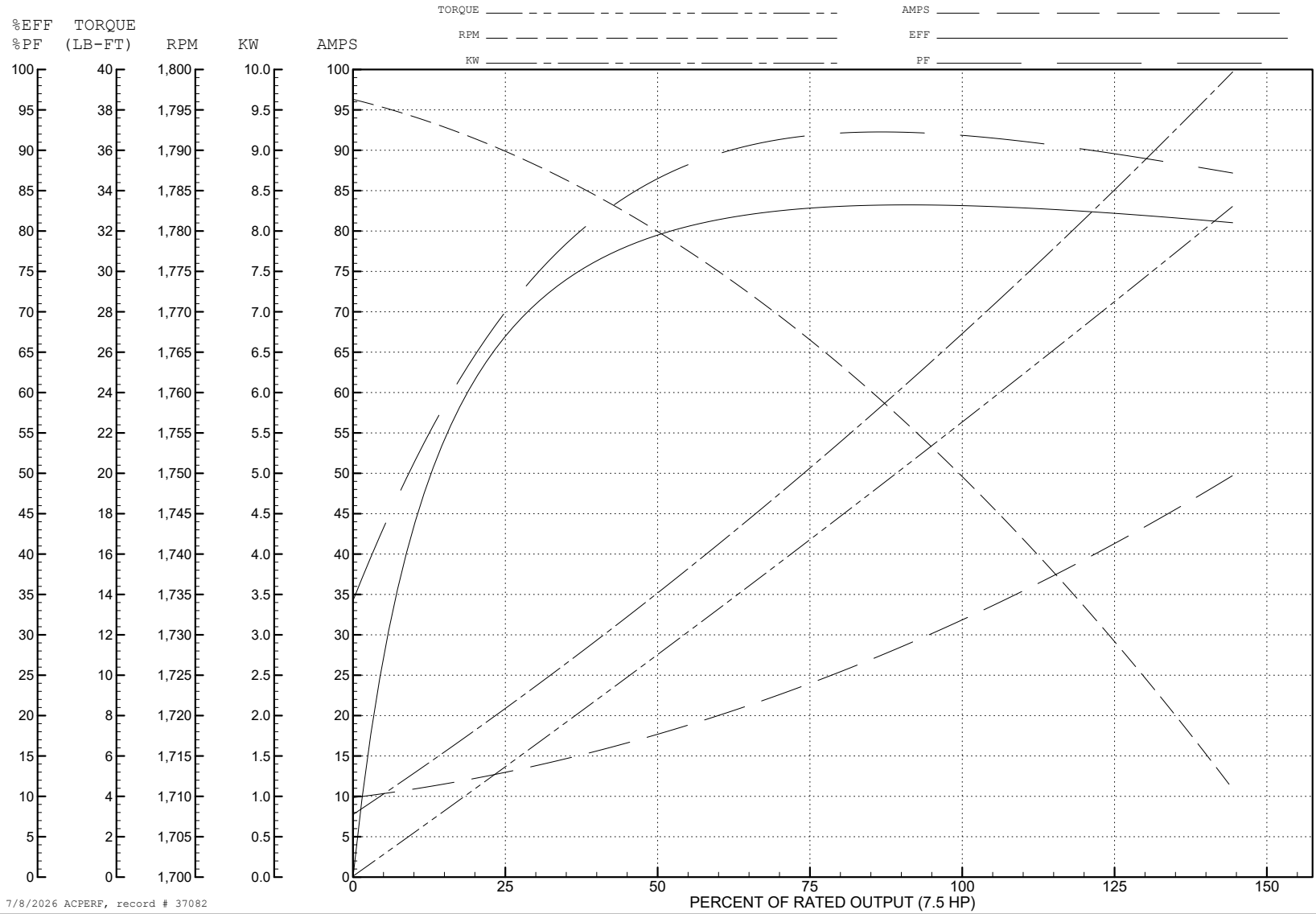
ABB Motors and Mechanical Inc.

WINDING # 37WG1630

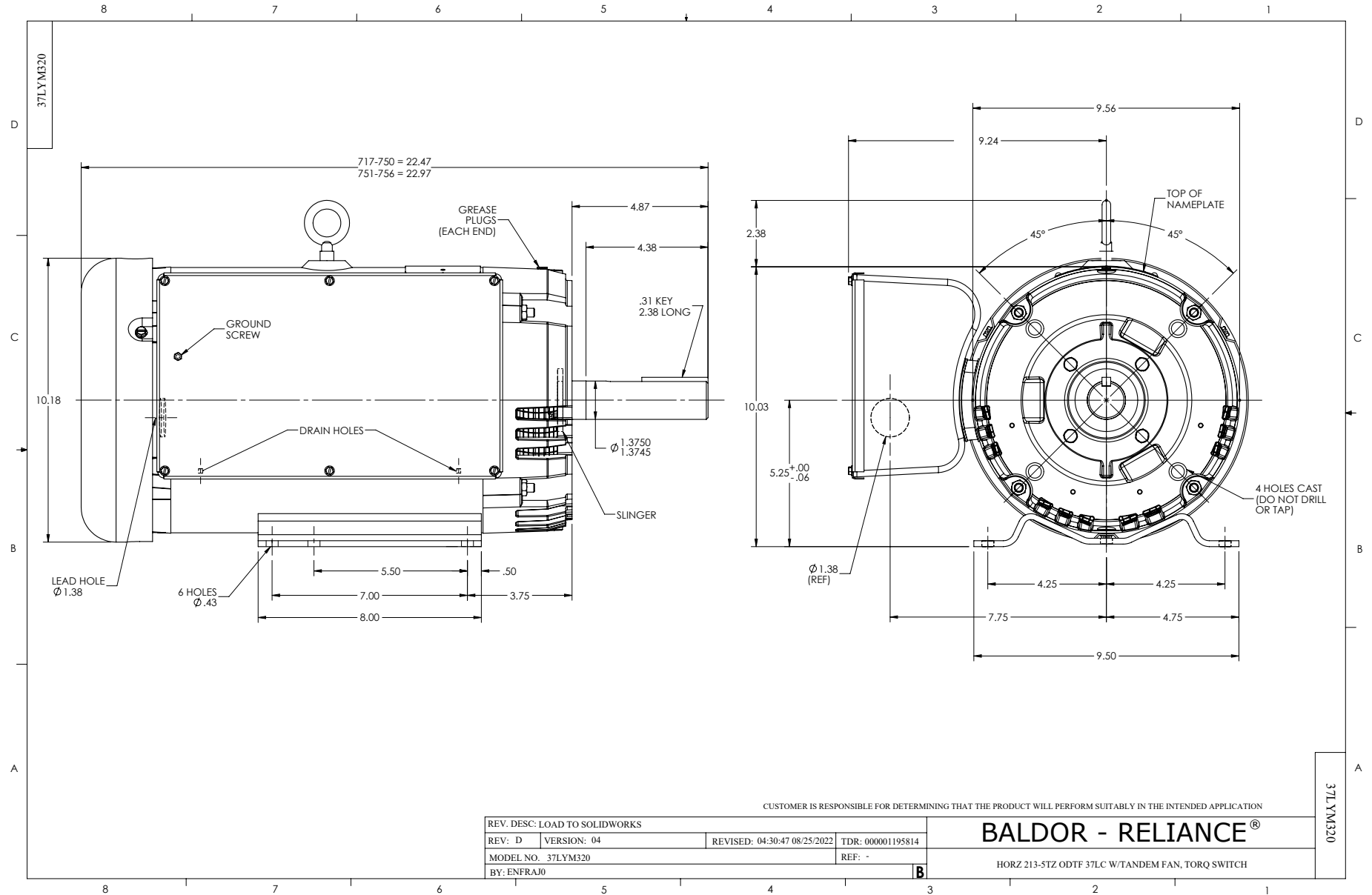
Typical performance - not guaranteed values.

7.5 HP 1 PH 60 HZ 1725 RPM 230 V 3744LC

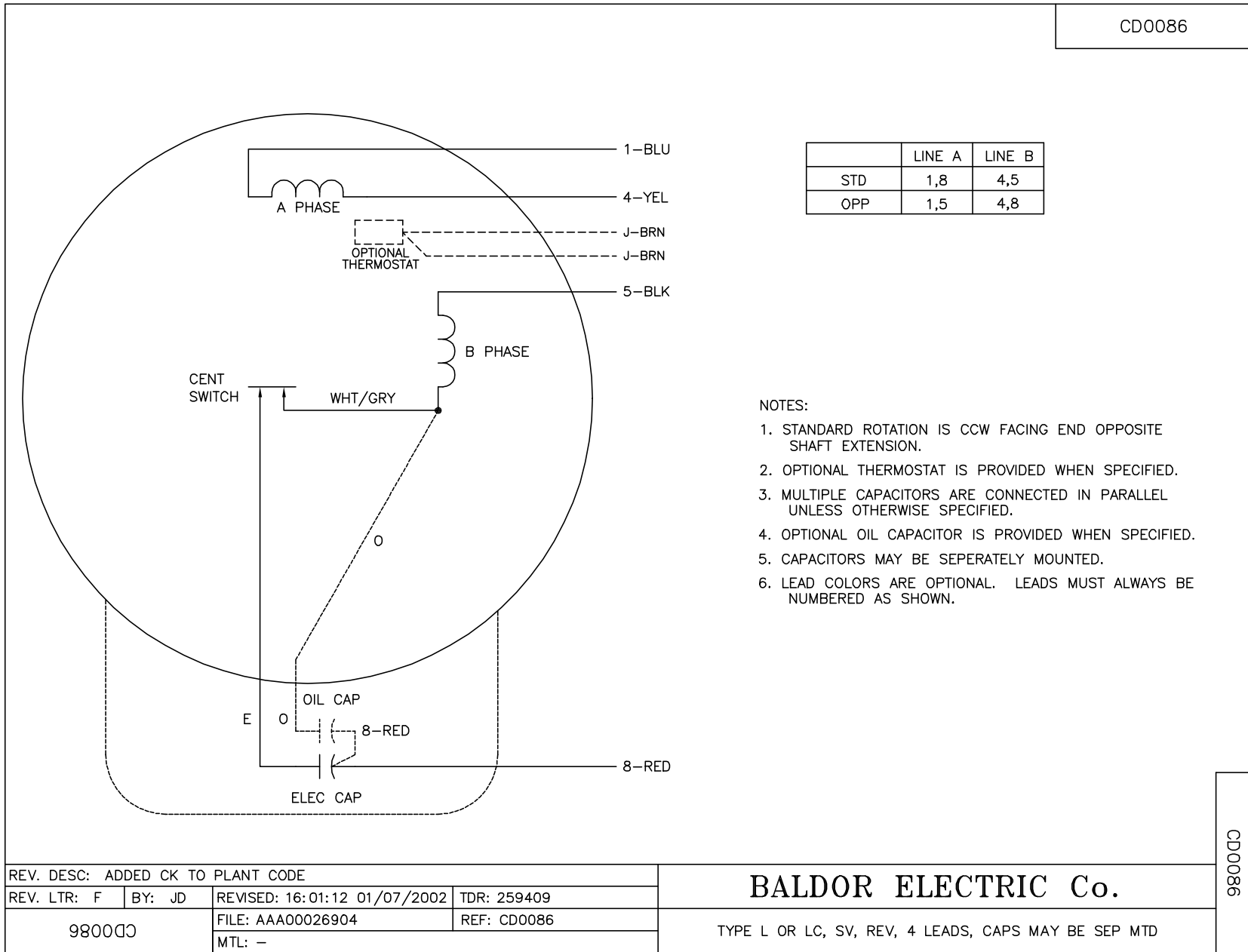
TORQUES (LB-FT): PO=65 PU=40 LR=75 LRA=250



7/8/2026 ACPERF, record # 37082



CD0086



	LINE A	LINE B
STD	1,8	4,5
OPP	1,5	4,8

NOTES:

1. STANDARD ROTATION IS CCW FACING END OPPOSITE SHAFT EXTENSION.
2. OPTIONAL THERMOSTAT IS PROVIDED WHEN SPECIFIED.
3. MULTIPLE CAPACITORS ARE CONNECTED IN PARALLEL UNLESS OTHERWISE SPECIFIED.
4. OPTIONAL OIL CAPACITOR IS PROVIDED WHEN SPECIFIED.
5. CAPACITORS MAY BE SEPERATELY MOUNTED.
6. LEAD COLORS ARE OPTIONAL. LEADS MUST ALWAYS BE NUMBERED AS SHOWN.

REV. DESC: ADDED CK TO PLANT CODE			
REV. LTR: F	BY: JD	REVISED: 16:01:12 01/07/2002	TDR: 259409
980000		FILE: AAA00026904	REF: CD0086
		MTL: -	

BALDOR ELECTRIC Co.

TYPE L OR LC, SV, REV, 4 LEADS, CAPS MAY BE SEP MTD

CD0086