

# ABB BALDOR RELIANCE III

---

## Customer information packet

### FSWDM3554T-E

1.5HP, 1770RPM, 3PH, 60HZ, 145T, 3526M, TEFC, F

Class - None

Division - Not Applicable

**Specifications**

<b>Enclosure</b>	TEFC
<b>Frame</b>	145T
<b>Frame Material</b>	Stainless Steel
<b>Frequency</b>	60.00 Hz
<b>Haz Area Class and Group</b>	None
<b>Haz Area Division</b>	Not Applicable
<b>Motor Letter Type</b>	Three Phase
<b>Output @ Frequency</b>	1.500 HP @ 60 HZ
<b>Phase</b>	3
<b>Synchronous Speed @ Frequency</b>	1800 RPM @ 60 HZ
<b>Voltage @ Frequency</b>	230.0 V @ 60 HZ 460.0 V @ 60 HZ
<b>Agency Approvals</b>	CSA EEV CURUSEEV NEMA PREMIUM NEMA_PREMIUM WEEE
<b>Ambient Temperature</b>	40 °C
<b>Auxiliary Box</b>	NO AUXILLARY BOX
<b>Auxiliary Box Lead Termination</b>	None
<b>Base Indicator</b>	Rigid
<b>Bearing Grease Type</b>	Polyrex EM (-20F +300F)
<b>Blower</b>	None
<b>Current @ Voltage</b>	4.200 A @ 230.0 V 2.100 A @ 460.0 V
<b>Design Code</b>	B
<b>Drip Cover</b>	No Drip Cover
<b>Duty Rating</b>	CONT
<b>Efficiency @ 100% Load</b>	86.5 %
<b>Electrically Isolated Bearing</b>	Not Electrically Isolated
<b>Feedback Device</b>	NO FEEDBACK
<b>Front Shaft Indicator</b>	None

**Part Detail**

<b>Revision</b>	B
<b>Type</b>	AC
<b>Mech. spec.</b>	35E4931
<b>Base</b>	
<b>Status</b>	PRD/A
<b>Elec. spec.</b>	35WGZ819
<b>Layout</b>	35LYE4931
<b>Eff. date</b>	08-12-2025
<b>CD Diagram</b>	CD0005
<b>Poles</b>	04
<b>Leads</b>	9#18 Y
<b>Proprietary</b>	False
<b>Created date</b>	03-11-2022

<b>Heater Indicator</b>	No Heater
<b>High Voltage Full Load Amps</b>	2.1 a
<b>Insulation Class</b>	H
<b>Inverter Code</b>	Inverter Duty
<b>KVA Code</b>	M
<b>Lifting Lugs</b>	No Lifting Lugs
<b>Locked Bearing Indicator</b>	Locked Bearing
<b>Max Speed</b>	2700 rpm
<b>Motor Finish</b>	UNPAINTED
<b>Motor Lead Quantity/Wire Size</b>	9 @ 18 AWG
<b>Motor Lead Termination</b>	Flying Leads
<b>Motor Standards</b>	NEMA
<b>Motor Type</b>	3526M
<b>Mounting Arrangement</b>	F1
<b>Number of Poles</b>	4
<b>Overall Length</b>	14.03 IN
<b>Power Factor</b>	76
<b>Product Family</b>	WD All SS Encapsulated
<b>Pulley End Bearing Type</b>	Sealed Bearing
<b>Pulley Face Code</b>	Standard
<b>Pulley Shaft Indicator</b>	Standard
<b>Rodent Screen</b>	None
<b>Service Factor</b>	1.15
<b>Shaft Diameter</b>	0.875 IN
<b>Shaft Ground Indicator</b>	No Shaft Grounding
<b>Shaft Rotation</b>	Reversible
<b>Shaft Slinger Indicator</b>	No Slinger
<b>Speed</b>	1770 rpm
<b>Speed Code</b>	Single Speed
<b>Starting Method</b>	Direct on line
<b>Thermal Device - Bearing</b>	None
<b>Thermal Device - Winding</b>	None
<b>Vibration Sensor Indicator</b>	No Vibration Sensor
<b>Winding Thermal 1</b>	None

**Winding Thermal 2**

**None**

---

**Nameplate**

**NP4427AAA01**

<b>CAT #</b>	FSWDM3554T-E		<b>WT</b>	41	<b>LBS</b>	
<b>SPEC</b>	35E4931Z819G1		<b>ENCL</b>	TEFC		
<b>SER #</b>		<b>CC</b>	010A	<b>IP</b>	69	
<b>HP</b>	1.5	<b>MAG CUR</b>	2.5/1.25			
<b>VOLTS</b>	230/460		<b>NEMA NOM. EFF</b>	86.5		
<b>AMPS</b>	4.2/2.1		<b>PF</b>	76		
<b>RATING</b>	40C AMB-CONT					
<b>RPM</b>	1770		<b>MAX RPM</b>	2700		
<b>FRAME</b>	145T	<b>HZ</b>	60	<b>CODE</b>	M	<b>CLASS</b> H
<b>SER.F.</b>	1.15	<b>SF AMP</b>	4.7/2.35		<b>PH</b>	3 <b>DES</b> B
<b>DE</b>	6205		<b>ODE</b>	6205		
<b>LUBRICATION</b>	POLYREX EM					
<b>ID LOGO</b>	<b>INVERTER TYPE</b>	<b>VPWM</b>	<b>CHP</b>	60	<b>TO</b>	90 1.5:1
<b>ID LOGO</b>	<b>WK2</b>	0.189	<b>CT</b>	15	<b>TO</b>	60 4:1
<b>ID LOGO</b>	<b>SL HZ</b>	1	<b>VT</b>	3	<b>TO</b>	60 20:1
<b>YR</b>				<b>QR</b>		

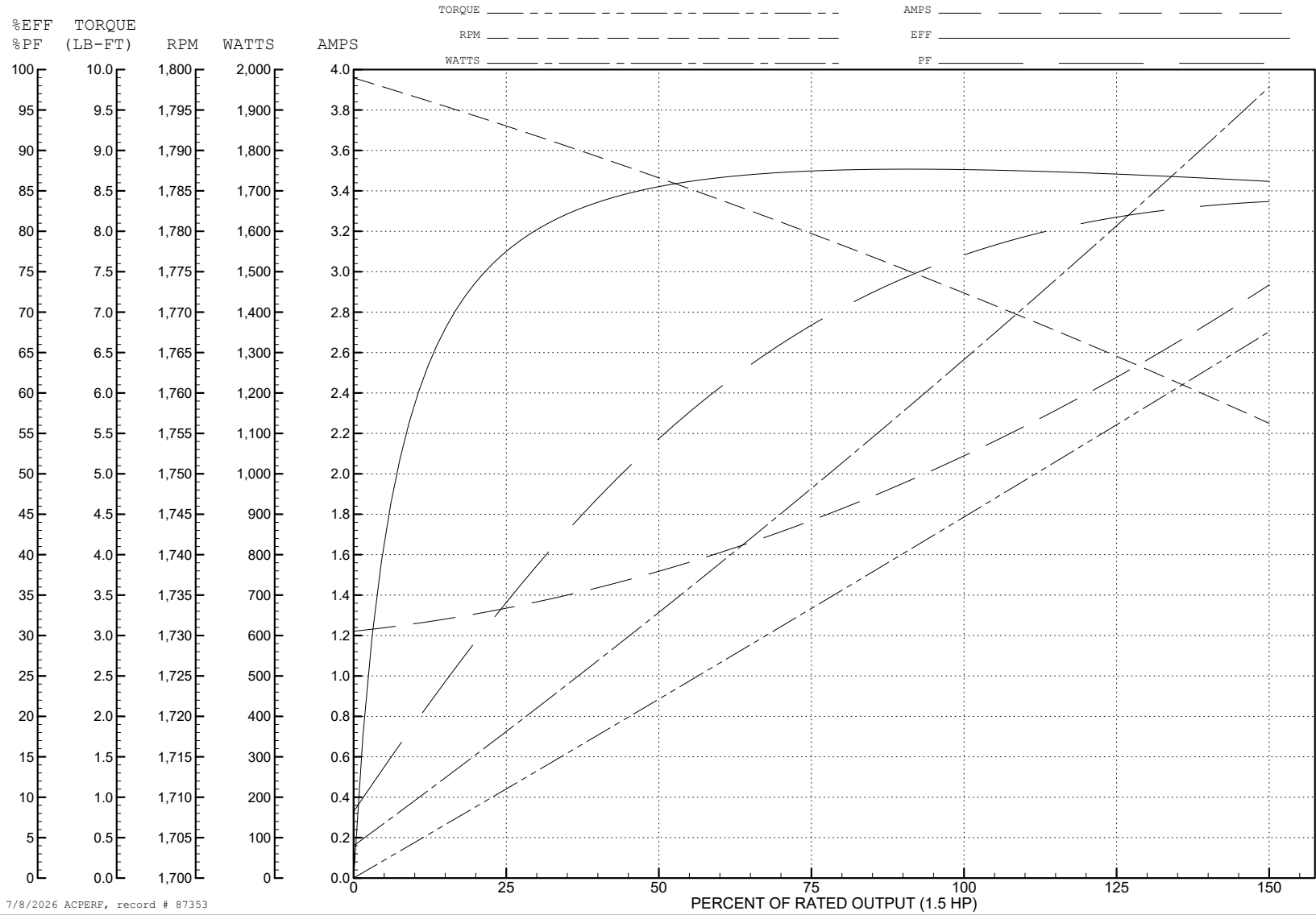
ABB Motors and Mechanical Inc.

WINDING # 35WGZ819

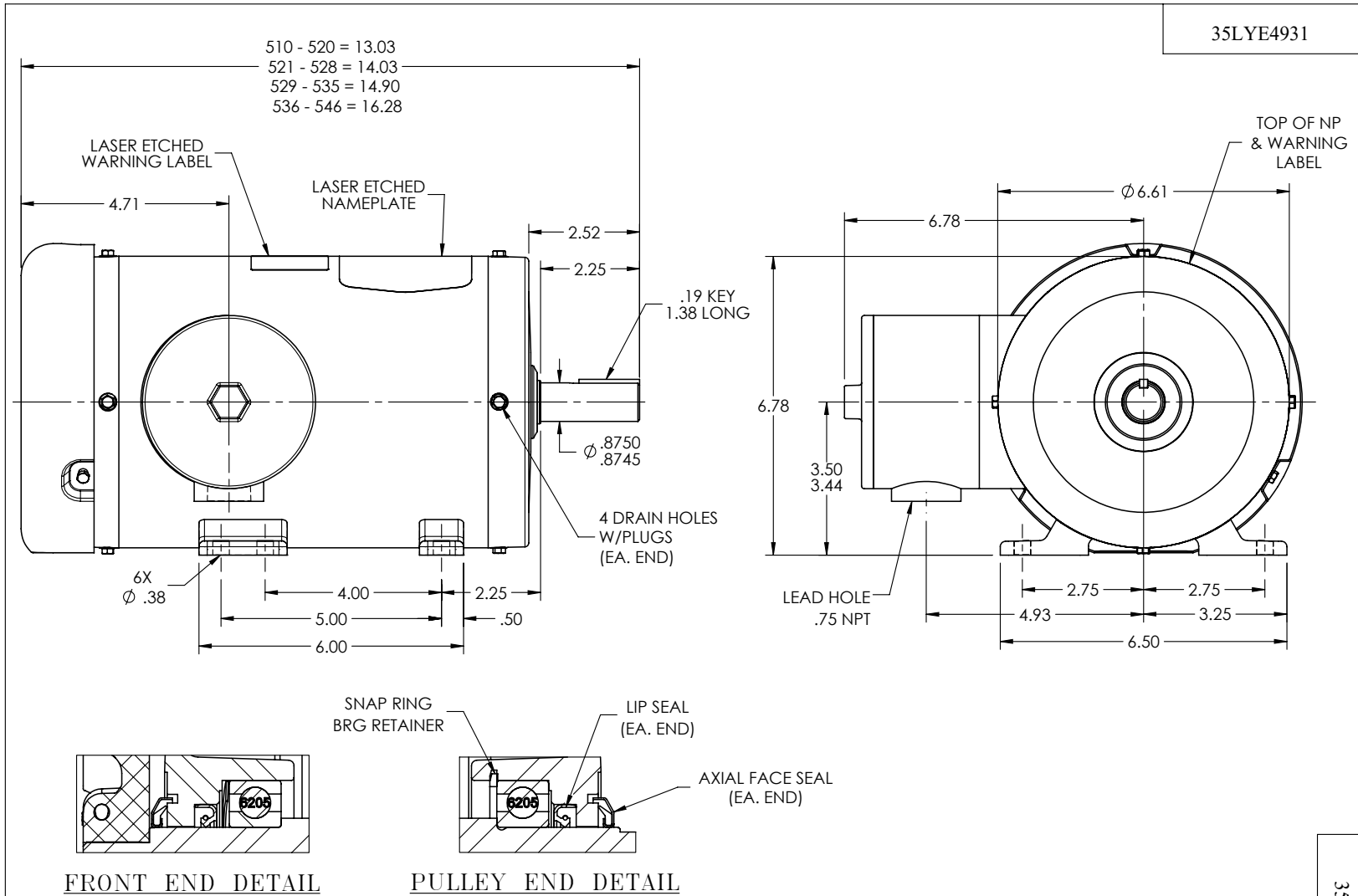
Typical performance - not guaranteed values.

1.5 HP 3 PH 60 HZ 1770 RPM 460 V 3526M

TORQUES (LB-FT): PO=18.92 PU=9.99 LR=12.27 LRA=19.68



35LYE4931



CUSTOMER IS RESPONSIBLE FOR DETERMINING THAT BALDOR'S PRODUCT WILL PERFORM SUITABLY IN THE INTENDED APPLICATION

REV. DESC: REMOVE FACE DRAINS & DRAIN FTG; ADD DRAIN PLUG

REV: D	VERSION: 04	REVISED: 01:59:16 01/27/2023	TDR: 000001202627
--------	-------------	------------------------------	-------------------

35LYE4931

MODEL NO. 35LYE4931  
BY: ENSTEK0

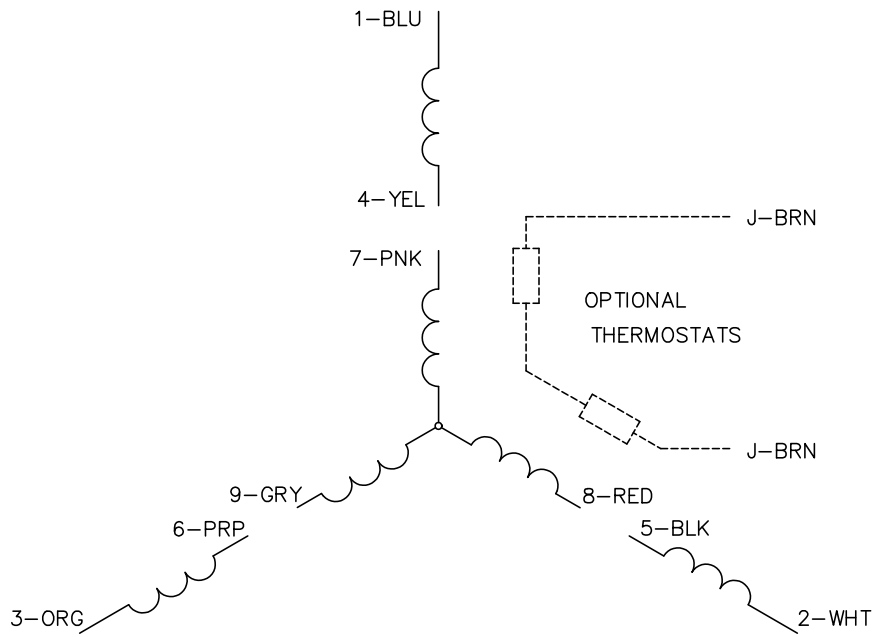
REF: -

**BALDOR**

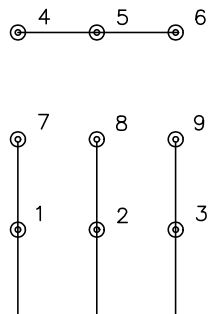
STD HORZ 143-5T TEFC 35M WD11/12

35LYE4931

CD0005

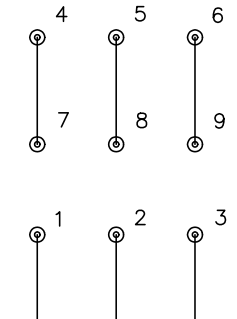


LOW VOLTAGE  
(2Y)



LINE

HIGH VOLTAGE  
(1Y)



LINE

**NOTES:**

1. INTERCHANGE ANY TWO LINE LEADS TO REVERSE ROTATION.
2. OPTIONAL THERMOSTATS ARE PROVIDED WHEN SPECIFIED.
3. ACTUAL NUMBER OF INTERNAL PARALLEL CIRCUITS MAY BE A MULTIPLE OF THOSE SHOWN ABOVE.
4. LEAD COLORS ARE OPTIONAL. LEADS MUST ALWAYS BE NUMBERED AS SHOWN.

CD0005

REV. DESC: REVISE TO SHOW OPTIONAL COLORS			
REV. LTR: E	BY: JLP	REVISED: 01/19/99 10:15	TDR: 0171435
S00000		FILE: AAA00005140	MDL: -
		MTL: -	

**BALDOR ELECTRIC Co.**

3PH, DV, 9 LEADS