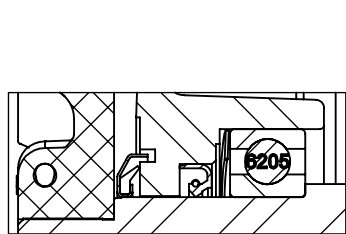
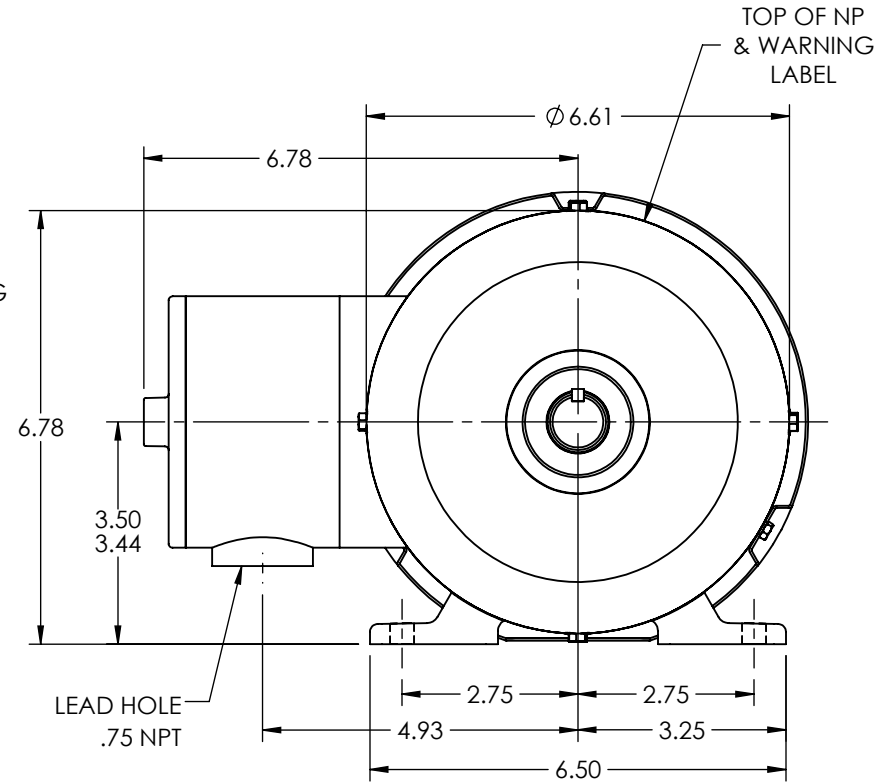
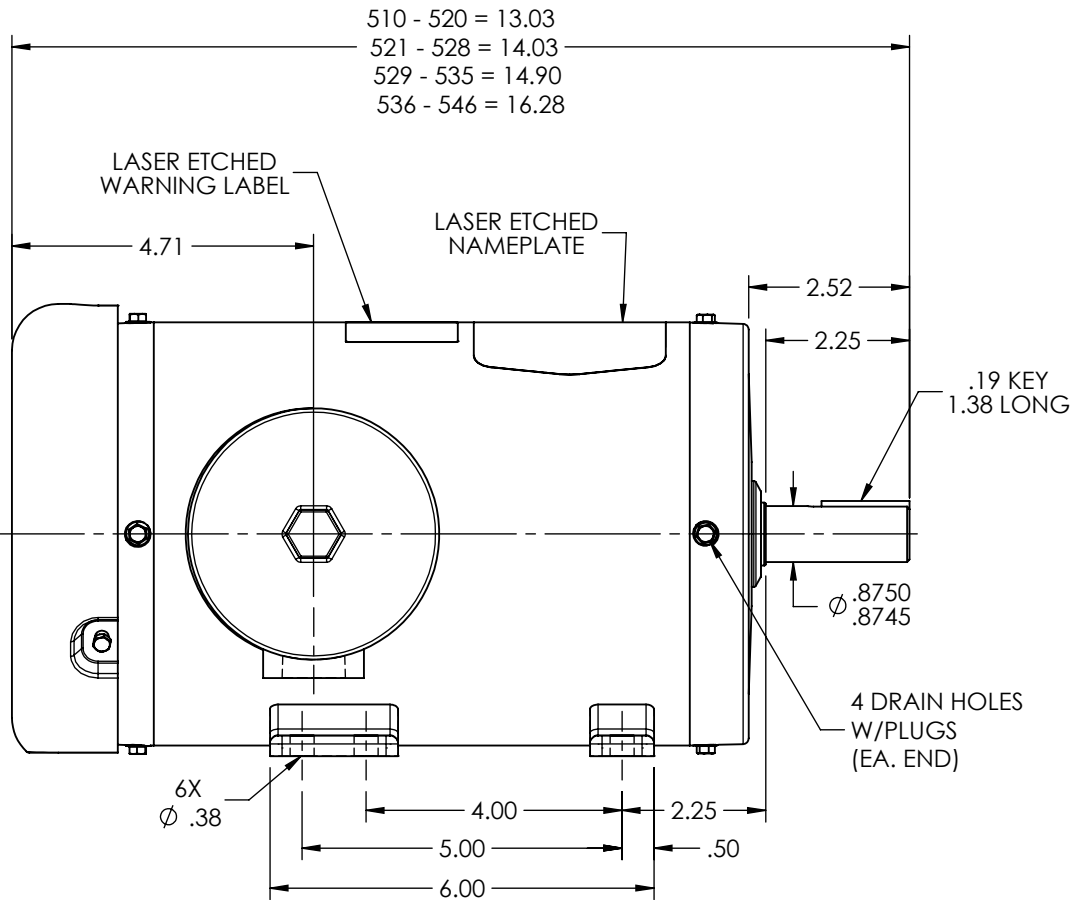
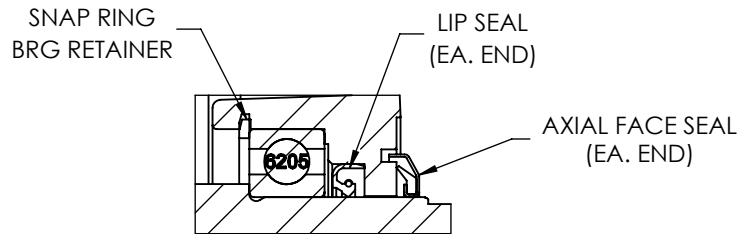


35LYE4931



FRONT END DETAIL



PULLEY END DETAIL

CUSTOMER IS RESPONSIBLE FOR DETERMINING THAT BALDOR'S PRODUCT WILL PERFORM SUITABLY IN THE INTENDED APPLICATION

REV. DESC: REMOVE FACE DRAINS & DRAIN FTG; ADD DRAIN PLUG			
REV: D	VERSION: 04	REVISED:01:59:16 01/27/2023	TDR: 000001202627
35LYE4931		MODEL NO. 35LYE4931	REF: -
		BY: ENSTEK0	

BALDOR

STD HORZ 143-5T TEFC 35M WD11/12

35LYE4931