



Customer information packet

FSWDM3546T-E

1HP, 1770RPM, 3PH, 60HZ, 143T, 3522M, TENV, F1

Class - None

Division - Not Applicable

Specifications

Enclosure	TENV
Frame	143T
Frame Material	Stainless Steel
Frequency	60.00 Hz
Haz Area Class and Group	None
Haz Area Division	Not Applicable
Motor Letter Type	Three Phase
Output @ Frequency	1.000 HP @ 60 HZ
Phase	3
Synchronous Speed @ Frequency	1800 RPM @ 60 HZ
Voltage @ Frequency	230.0 V @ 60 HZ 460.0 V @ 60 HZ
Agency Approvals	CSA EEV NEMA PREMIUM NEMA_PREMIUM UR
Ambient Temperature	40 °C
Auxillary Box	No Auxillary Box
Auxillary Box Lead Termination	None
Base Indicator	Rigid
Bearing Grease Type	Polyrex EM (-20F +300F)
Blower	None
Current @ Voltage	3.340 A @ 230.0 V 3.300 A @ 208.0 V 1.670 A @ 460.0 V
Design Code	B
Drip Cover	No Drip Cover
Duty Rating	CONT
Efficiency @ 100% Load	85.5 %
Electrically Isolated Bearing	Not Electrically Isolated
Feedback Device	NO FEEDBACK
Front Shaft Indicator	None

Part detail

Revision	D
Type	AC
Mech. spec.	35E4928
Base	
Status	PRD/A
Elec. spec.	35WGG184
Layout	35LYE4928
Eff. date	08-30-2023
CD Diagram	CD0005
Poles	04
Leads	9#18
Proprietary	False
Created date	01-10-2022

Heater Indicator	No Heater
High Voltage Full Load Amps	1.7 a
Insulation Class	H
Inverter Code	Inverter Ready
KVA Code	N
Lifting Lugs	No Lifting Lugs
Locked Bearing Indicator	Locked Bearing
Motor Finish	UNPAINTED
Motor Lead Quantity/Wire Size	9 @ 18 AWG
Motor Lead Termination	Flying Leads
Motor Standards	NEMA
Motor Type	3522M
Mounting Arrangement	F1
Number of Poles	4
Overall Length	12.84 IN
Power Factor	66
Product Family	WD All SD Non-Encapsulated
Pulley End Bearing Type	Sealed Bearing
Pulley Face Code	Standard
Pulley Shaft Indicator	Standard
Rodent Screen	None
Service Factor	1.15
Shaft Diameter	0.875 IN
Shaft Ground Indicator	No Shaft Grounding
Shaft Rotation	Reversible
Shaft Slinger Indicator	No Slinger
Speed	1770 rpm
Speed Code	Single Speed
Starting Method	Direct on line
Thermal Device - Bearing	None
Thermal Device - Winding	None
Vibration Sensor Indicator	No Vibration Sensor
Winding Thermal 1	None
Winding Thermal 2	None

Nameplate

NP4427AAA01									
CAT #	FSWDM3546T-E			WT	37	LBS			
SPEC	35E4928G184G1			ENCL	TENV				
SER #				CC	010A	IP	69		
HP	1	MAG CUR		2.5/1.25					
VOLTS	230/460			NEMA NOM. EFF		85.5			
AMPS	3.34/1.67			PF	66				
RATING	40C AMB-CONT								
RPM	1770			MAX RPM		2700			
FRAME	143T	HZ	60	CODE	N	CLASS	H		
SER.F.	1.15	SF AMP	3.5/1.75		PH	3	DES	B	
DE	6205		ODE	6205					
LUBRICATION	POLYREX EM								
ID LOGO	INVERTER TYPE		VPWM	CHP	60	TO	90	1.5:1	
ID LOGO	WK2	0.159	CT	15	TO	60	4:1		
ID LOGO	SL HZ	1	VT	3	TO	60	20:1		
				QR					
YR									

AC Induction Motor Performance Data

Record # 87470

Typical performance - not guaranteed values

Winding: 35WGG184-R004		Type: 3522M		Enclosure: TENV	
Nameplate Data			460 V, 60 Hz: High Voltage Connection		
Rated Output (HP)	1	Full Load Torque	2.99 LB-FT		
Volts	230/460	Start Configuration	direct on line		
Full Load Amps	3.34/1.67	Breakdown Torque	16.6 LB-FT		
R.P.M.	1770	Pull-up Torque	7.42 LB-FT		
Hz	60 Phase	3	Locked-rotor Torque	10.32 LB-FT	
NEMA Design Code	B KVA Code	N	Starting Current	16.1 A	
Service Factor (S.F.)		1.15	No-load Current	1.23 A	
NEMA Nom. Eff.	85.5 Power Factor	66	Line-line Res. @ 25°C	14.4 Ω	
Rating - Duty	40C AMB-CONT		Temp. Rise @ Rated Load	63°C	
S.F. Amps			Temp. Rise @ S.F. Load	71°C	
			Locked-rotor Power Factor	59.4	
			Rotor inertia	0.159 lb-ft ²	

Load Characteristics 460 V, 60 Hz, 1 HP

% of Rated Load	25	50	75	100	125	150	S.F.
Power Factor	27	43	56	66	73	78	72
Efficiency	70.8	81.2	84.5	85.9	85.8	85.2	85.5
Speed	1793	1786	1781	1773	1766	1758	1768
Line amperes	1.25	1.34	1.49	1.67	1.87	2.12	1.75

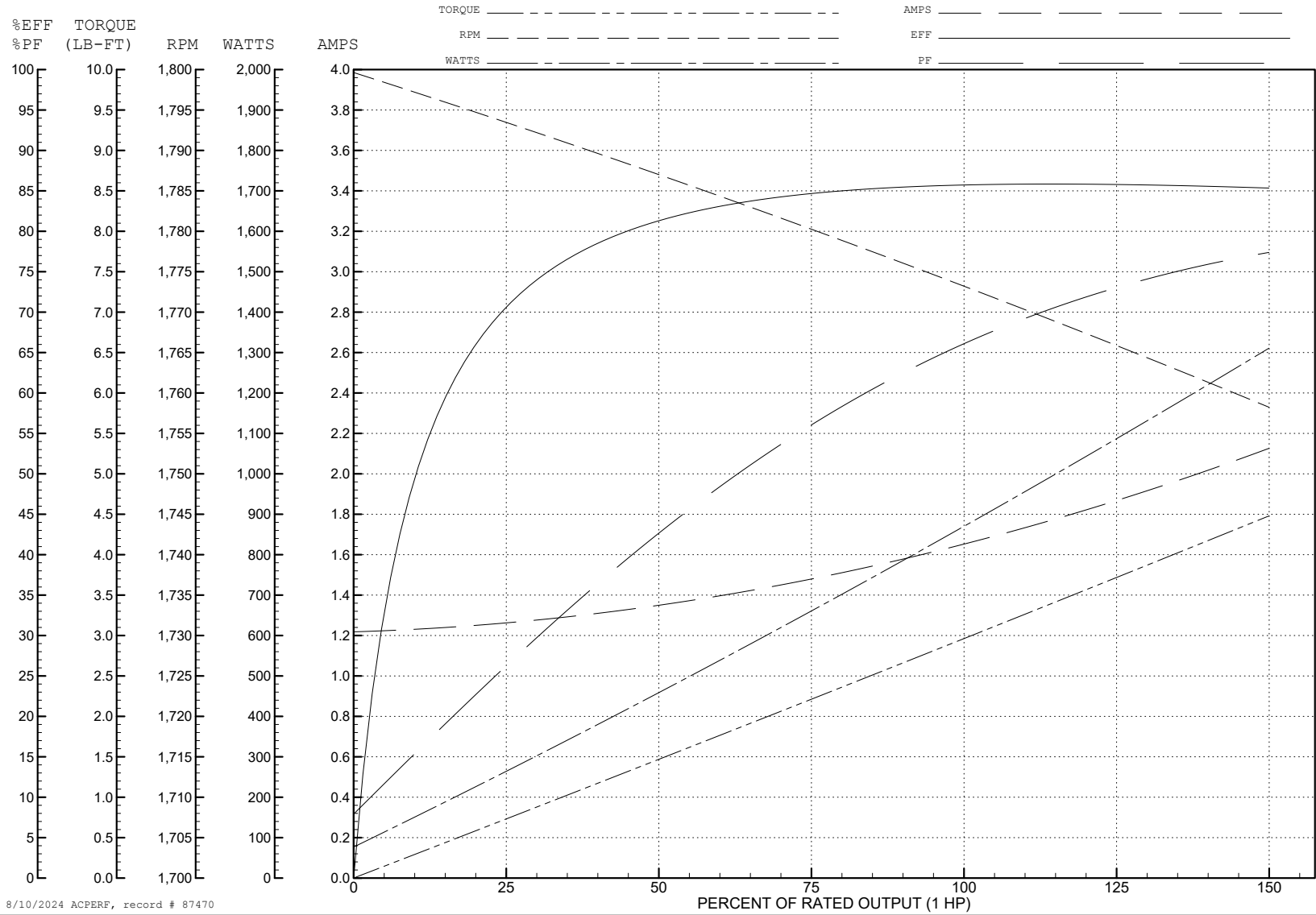
ABB Motors and Mechanical Inc.

WINDING # 35WGG184

Typical performance - not guaranteed values.

1 HP 3 PH 60 HZ 1770 RPM 460 V 3522M

TORQUES (LB-FT): PO=16.6 PU=7.42 LR=10.32 LRA=16.1



8/10/2024 ACPERF, record # 87470

AC Induction Motor Performance Data

Record # 89717

Typical performance - not guaranteed values

Winding: 35WGG184-R010		Type: 3522M		Enclosure: TENV	
Nameplate Data			460 V, 60 Hz: High Voltage Connection		
Rated Output (HP)		1	Full Load Torque		2.99 LB-FT
Volts		208-230/460	Start Configuration		direct on line
Full Load Amps		3.3-3.34/1.67	Breakdown Torque		16.6 LB-FT
R.P.M.		1770	Pull-up Torque		7.42 LB-FT
Hz	60 Phase	3	Locked-rotor Torque		10.32 LB-FT
NEMA Design Code	B KVA Code	N	Starting Current		16.1 A
Service Factor (S.F.)		1.15	No-load Current		1.23 A
NEMA Nom. Eff.	85.5 Power Factor	66	Line-line Res. @ 25°C		14.4 Ω
Rating - Duty		65C AMB-CONT	Temp. Rise @ Rated Load		63°C
S.F. Amps		3.6-3.5/1.75	Temp. Rise @ S.F. Load		71°C
			Locked-rotor Power Factor		59.3666
			Rotor inertia		0.159 lb-ft ²

Load Characteristics 460 V, 60 Hz, 1 HP

% of Rated Load	25	50	75	100	125	150	S.F.
Power Factor	27	43	56	66	73	78	70
Efficiency	70.8	81.2	84.5	85.9	85.8	85.2	85.8
Speed	1793	1786	1781	1773	1766	1758	1769
Line amperes	1.25	1.34	1.49	1.67	1.87	2.12	1.79

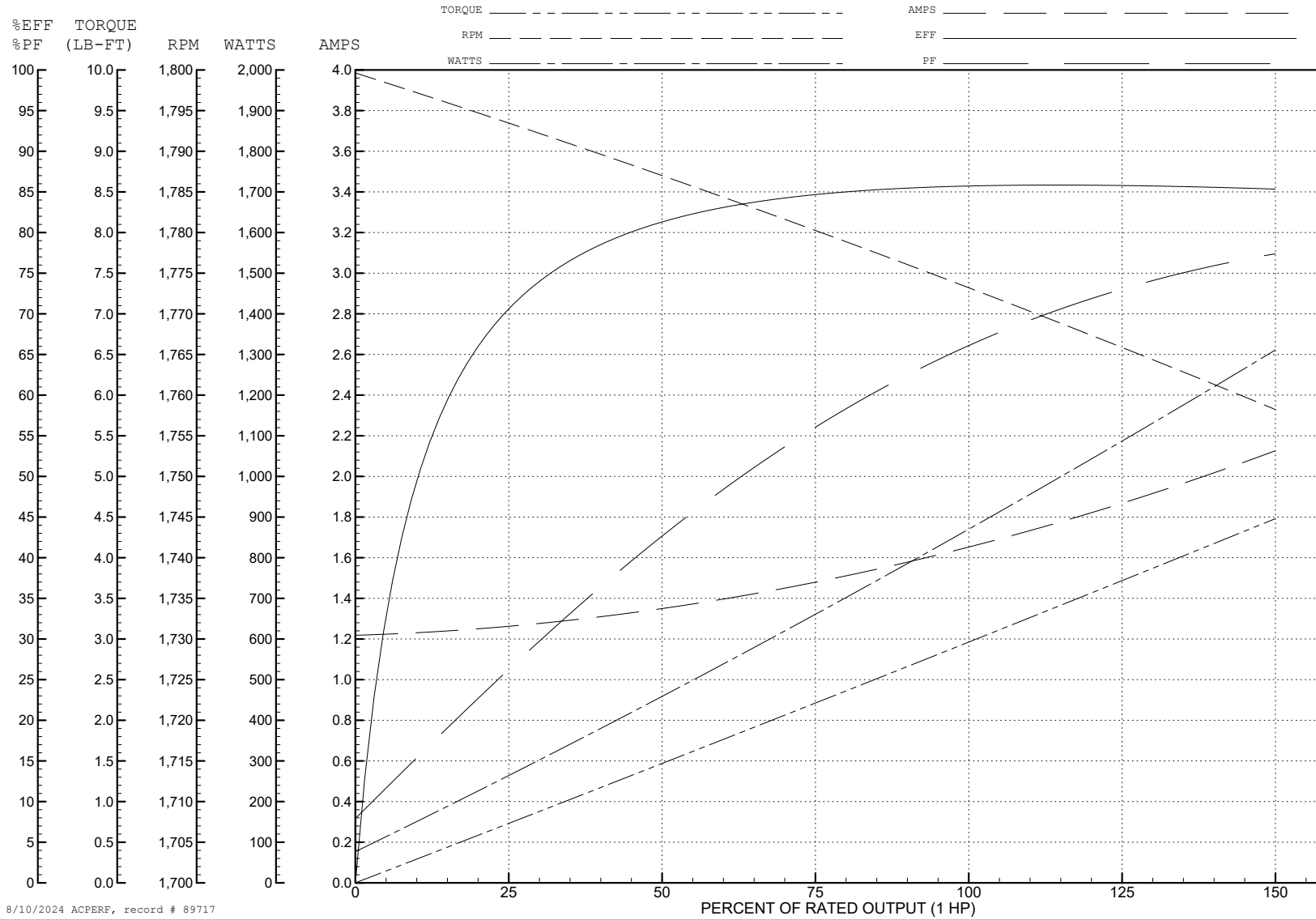
ABB Motors and Mechanical Inc.

WINDING # 35WGG184

Typical performance - not guaranteed values.

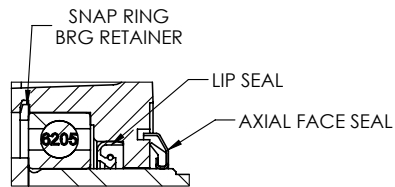
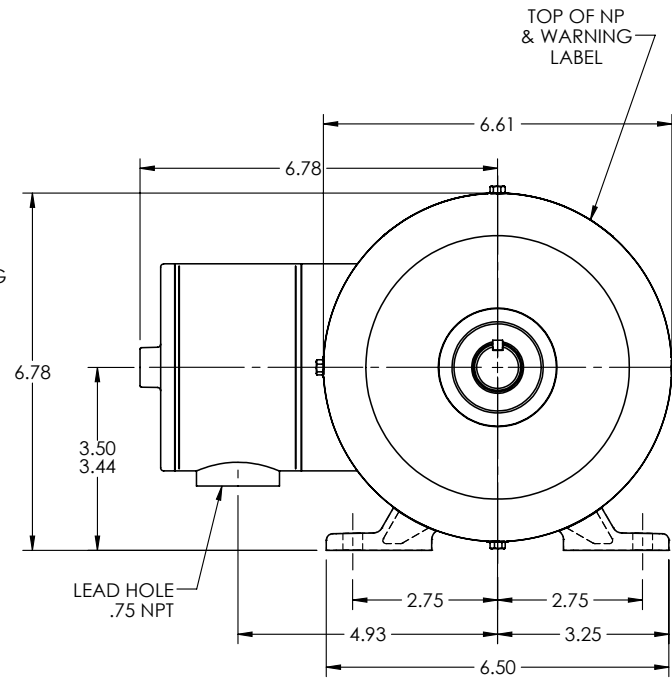
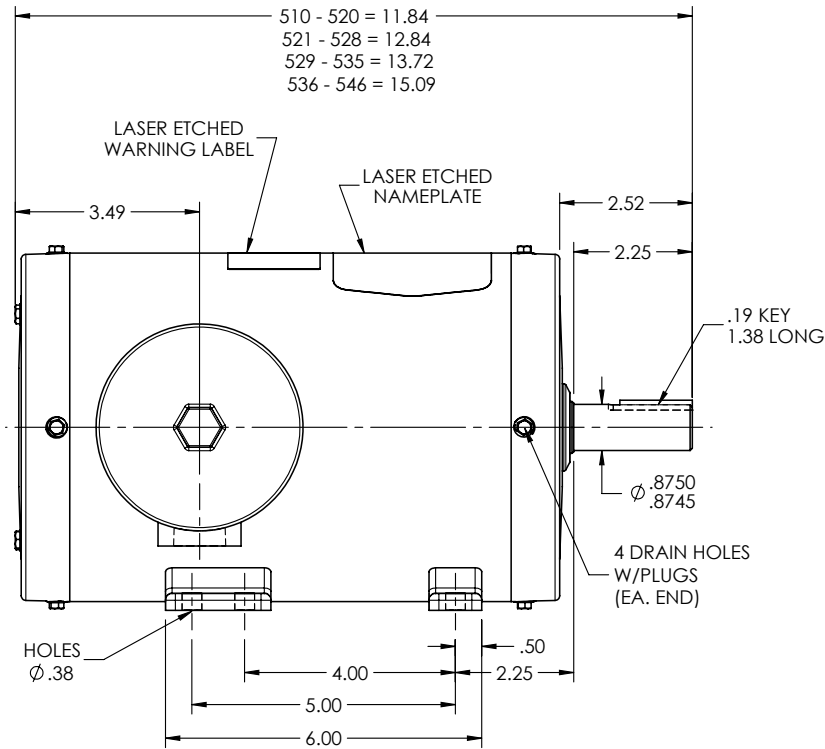
1 HP 3 PH 60 HZ 1770 RPM 460 V 3522M

TORQUES (LB-FT): PO=16.6 PU=7.42 LR=10.32 LRA=16.1



8/10/2024 ACPERF, record # 89717

35LYE4928



PULLEY END DETAIL

CUSTOMER IS RESPONSIBLE FOR DETERMINING THAT BALDOR'S PRODUCT WILL PERFORM SUITABLY IN THE INTENDED APPLICATION

REV. DESC: REMOVE DRAIN FTG; ADD DRAIN PLUG			
REV: D	VERSION: 04	REVISED: 01:27:12 01/27/2023	TDR: 000001202627
35LYE4928		MODEL NO. 35LYE4928	REF: -
		BY: ENSTEK0	

BALDOR

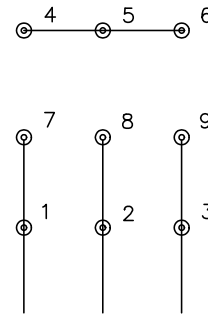
STD HORZ 143/5T TENV 35M WD11/12

35LYE4928

CD0005

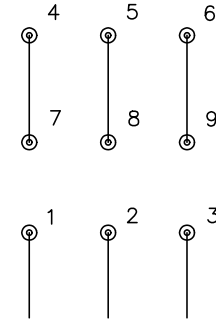


LOW VOLTAGE
(2Y)



LINE

HIGH VOLTAGE
(1Y)



LINE

NOTES:

1. INTERCHANGE ANY TWO LINE LEADS TO REVERSE ROTATION.
2. OPTIONAL THERMOSTATS ARE PROVIDED WHEN SPECIFIED.
3. ACTUAL NUMBER OF INTERNAL PARALLEL CIRCUITS MAY BE A MULTIPLE OF THOSE SHOWN ABOVE.
4. LEAD COLORS ARE OPTIONAL. LEADS MUST ALWAYS BE NUMBERED AS SHOWN.

CD0005

REV. DESC: REVISE TO SHOW OPTIONAL COLORS			
REV. LTR: E	BY: JLP	REVISED: 01/19/99 10:15	TDR: 0171435
S00000		FILE: AAA00005140	MDL: -
		MTL: -	

BALDOR ELECTRIC Co.

3PH, DV, 9 LEADS