

BALDOR • RELIANCE

Customer information packet

FSWDM3538-E

.5HP, 1770RPM, 3PH, 60HZ, 56, 3512M, TENV, F1, N

Class - None

Division - Not Applicable

Specifications

Enclosure	TENV
Frame	56
Frame Material	Stainless Steel
Frequency	60.00 Hz
Motor Letter Type	Three Phase
Output @ Frequency	.500 HP @ 60 HZ
Phase	3
Synchronous Speed @ Frequency	1800 RPM @ 60 HZ
Voltage @ Frequency	460.0 V @ 60 HZ 230.0 V @ 60 HZ 208.0 V @ 60 HZ
XP Class and Group	None
XP Division	Not Applicable
Agency Approvals	CSA UR
Ambient Temperature	40 °C
Auxillary Box	No Auxillary Box
Auxillary Box Lead Termination	None
Base Indicator	Rigid
Bearing Grease Type	Polyrex EM (-20F +300F)
Blower	None
Current @ Voltage	1.900 A @ 208.0 V 1.800 A @ 230.0 V .900 A @ 460.0 V
Design Code	B
Drip Cover	No Drip Cover
Duty Rating	CONT
Efficiency @ 100% Load	80.0 %
Electrically Isolated Bearing	Not Electrically Isolated
Feedback Device	NO FEEDBACK
Front Shaft Indicator	None
Heater Indicator	No Heater

Part detail

Revision	D
Type	AC
Mech. spec.	35E4927
Base	
Status	PRD/A
Elec. spec.	35WGZ944
Layout	35LYE4927
Eff. date	08-14-2023
CD Diagram	CD0005
Poles	04
Leads	9#18
Proprietary	False
Created date	01-10-2022

High Voltage Full Load Amps	0.9 a
Insulation Class	H
Inverter Code	Not Inverter
KVA Code	M
Lifting Lugs	No Lifting Lugs
Locked Bearing Indicator	Locked Bearing
Motor Finish	UNPAINTED
Motor Lead Quantity/Wire Size	9 @ 18 AWG
Motor Lead Termination	Flying Leads
Motor Standards	NEMA
Motor Type	3512M
Mounting Arrangement	F1
Number of Poles	4
Overall Length	11.78 IN
Power Factor	65
Product Family	WD All SD Non-Encapsulated
Pulley End Bearing Type	Sealed Bearing
Pulley Face Code	Standard
Pulley Shaft Indicator	Standard
Rodent Screen	None
Service Factor	1.15
Shaft Diameter	0.625 IN
Shaft Ground Indicator	No Shaft Grounding
Shaft Rotation	Reversible
Shaft Slinger Indicator	No Slinger
Speed	1770 rpm
Speed Code	Single Speed
Starting Method	Direct on line
Thermal Device - Bearing	None
Thermal Device - Winding	None
Vibration Sensor Indicator	No Vibration Sensor
Winding Thermal 1	None
Winding Thermal 2	None

Nameplate

NP4427AAA01

CAT #	FSWDM3538-E		WT	33	LBS	
SPEC	35E4927Z944G1		ENCL	TENV		
SER #		CC	010A	IP	69	
HP	.5	MAG CUR	1.34-1.58/.79			
VOLTS	208-230/460		NEMA NOM. EFF	80		
AMPS	1.9-1.8/.9		PF	65		
RATING	40C AMB-CONT					
RPM	1770		MAX RPM	2700		
FRAME	56	HZ	60	CODE	M	CLASS H
SER.F.	1.15	SF AMP	2.1-1.9/0.95		PH	3 DES B
DE	6205	ODE	6205			
LUBRICATION	POLYREX EM					
ID LOGO	INVERTER TYPE	VPWM	CHP	60	TO	90 1.5:1
ID LOGO	WK2	0.087	CT	15	TO	60 4:1
ID LOGO	SL HZ	1	VT	3	TO	60 20:1
YR						

AC Induction Motor Performance Data

Record # 91508

Typical performance - not guaranteed values

Winding: 35WGZ944-R002		Type: 3512M	Enclosure: TENV	
Nameplate Data			460 V, 60 Hz: High Voltage Connection	
Rated Output (HP)	.5	Full Load Torque	1.49 LB-FT	
Volts	208-230/460	Start Configuration	direct on line	
Full Load Amps	1.9-1.8/.9	Breakdown Torque	6.28 LB-FT	
R.P.M.	1770	Pull-up Torque	3.26 LB-FT	
Hz	60 Phase	3	Locked-rotor Torque	4.04 LB-FT
NEMA Design Code	B KVA Code	M	Starting Current	6.71 A
Service Factor (S.F.)		1.15	No-load Current	0.792 A
NEMA Nom. Eff.	80 Power Factor	65	Line-line Res. @ 25°C	43.2 Ω
Rating - Duty	40C AMB-CONT		Temp. Rise @ Rated Load	29°C
S.F. Amps	2.1-1.9/0.95		Temp. Rise @ S.F. Load	33°C
			Locked-rotor Power Factor	70.7767
			Rotor inertia	0.0866 lb-ft ²

Load Characteristics 460 V, 60 Hz, 0.5 HP

% of Rated Load	25	50	75	100	125	150	S.F.
Power Factor	27	41	52	62	69	75	66
Efficiency	56.5	70.7	76.5	78.9	80	80	79.6
Speed	1792	1786	1779	1771	1763	1755	1766
Line amperes	0.795	0.827	0.889	0.966	1.06	1.18	1.02

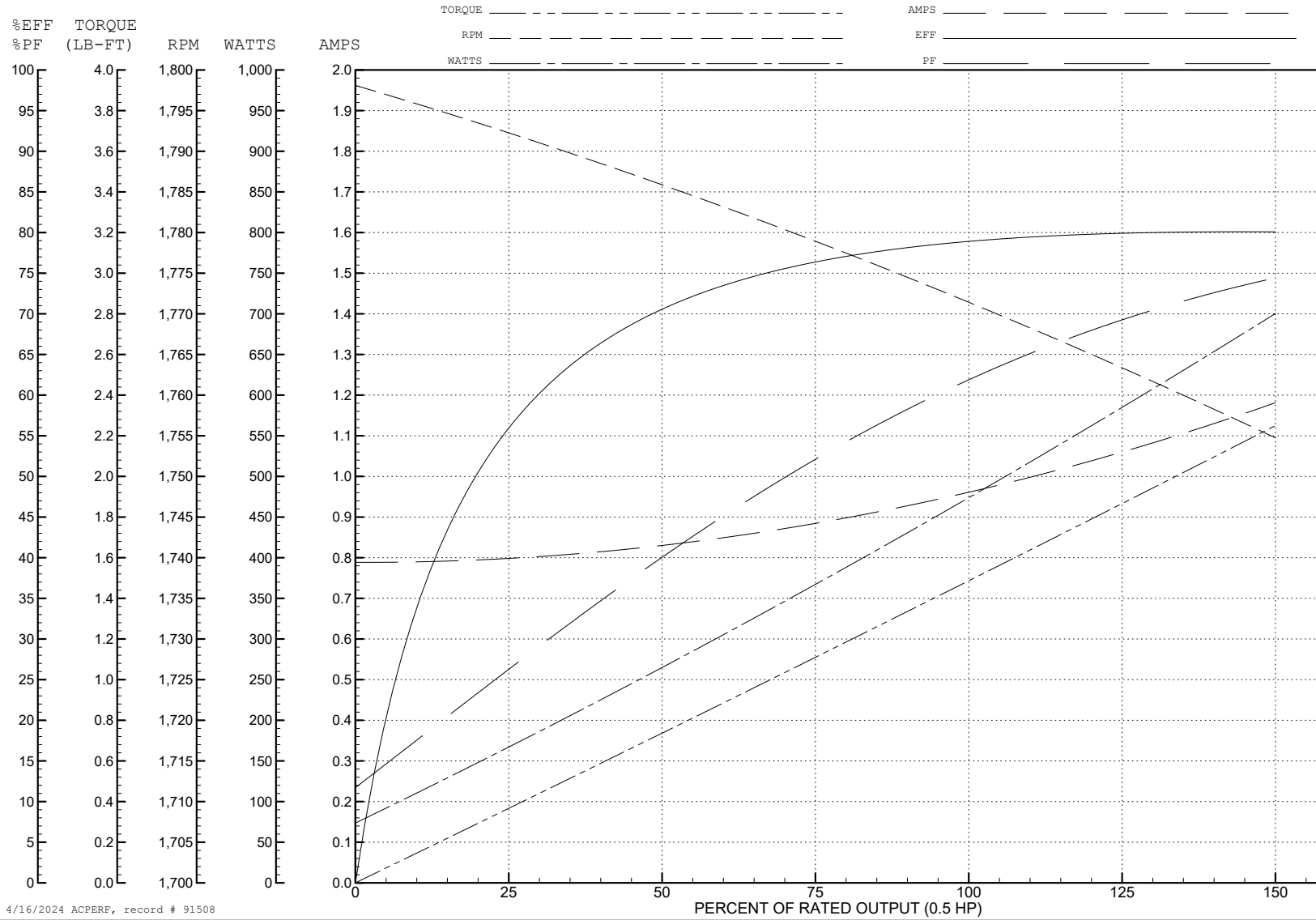
ABB Motors and Mechanical Inc.

WINDING # 35WGZ944

0.5 HP 3 PH 60 HZ 1770 RPM 460 V 3512M

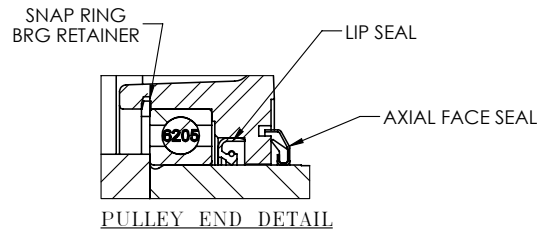
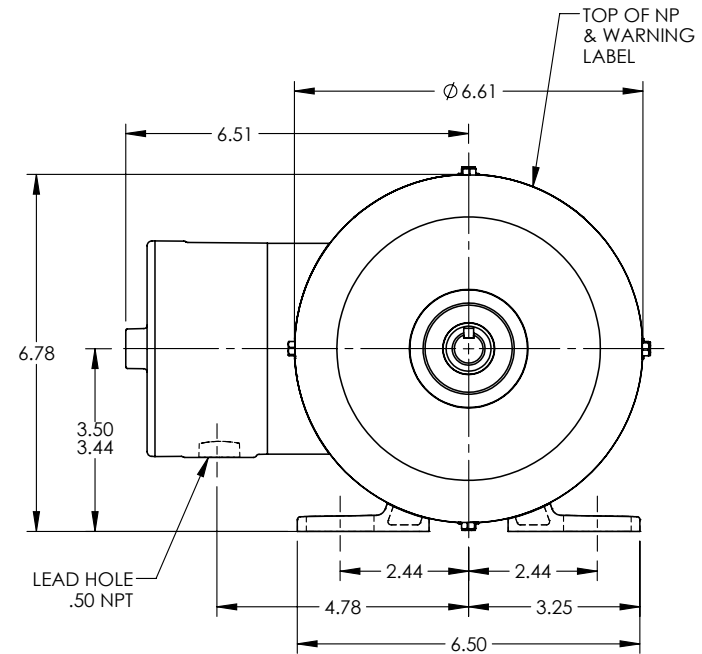
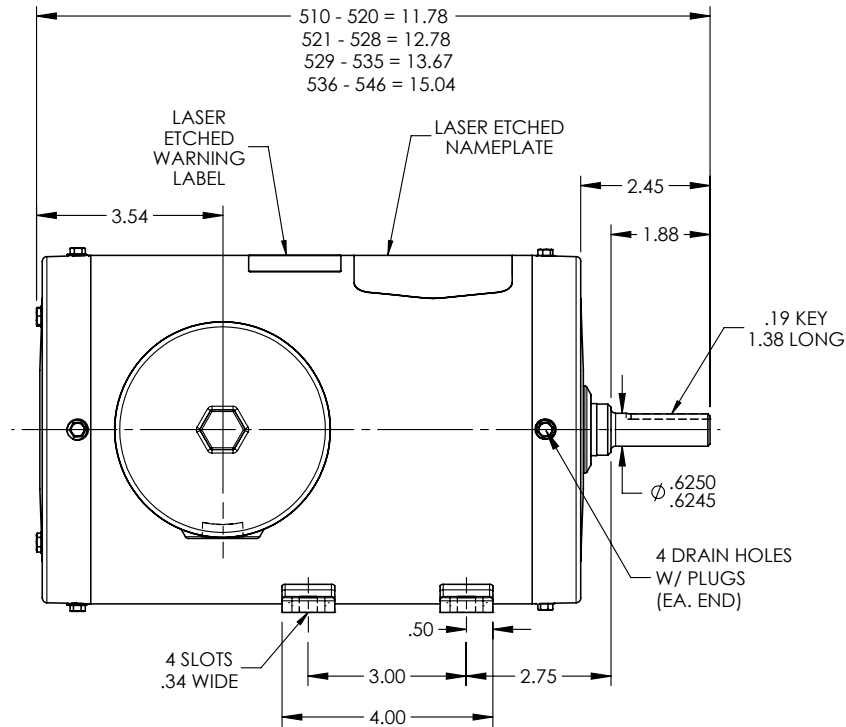
Typical performance - not guaranteed values.

TORQUES (LB-FT): PO=6.28 PU=3.26 LR=4.04 LRA=6.71



4/16/2024 ACPERF, record # 91508

35LYE4927



CUSTOMER IS RESPONSIBLE FOR DETERMINING THAT BALDOR'S PRODUCT WILL PERFORM SUITABLY IN THE INTENDED APPLICATION

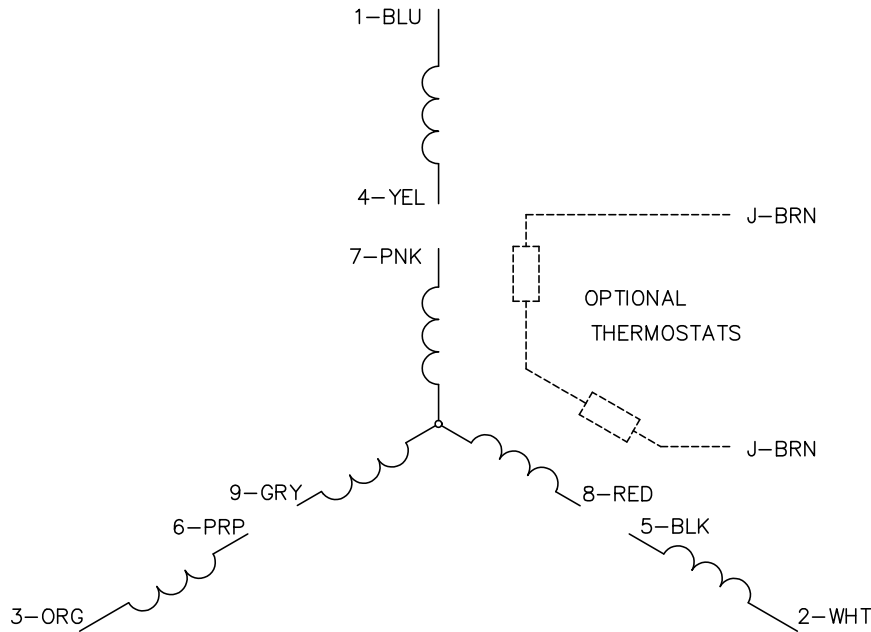
REV. DESC: REMOVE DRAIN FTG; ADD DRAIN PLUG			
REV: B	VERSION: 02	REVISED: 12:26:28 01/27/2023	TDR: 000001202627
MODEL NO. 35LYE4927		REF: -	
BY: ENSTEK0			

BALDOR

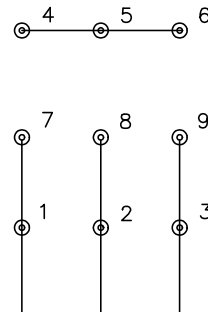
STD HORZ 56 TENV 35M WD11/12

35LYE4927

CD0005

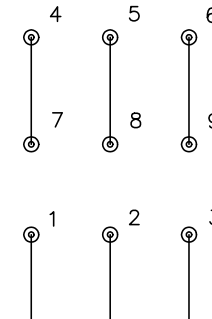


LOW VOLTAGE
(2Y)



LINE

HIGH VOLTAGE
(1Y)



LINE

NOTES:

1. INTERCHANGE ANY TWO LINE LEADS TO REVERSE ROTATION.
2. OPTIONAL THERMOSTATS ARE PROVIDED WHEN SPECIFIED.
3. ACTUAL NUMBER OF INTERNAL PARALLEL CIRCUITS MAY BE A MULTIPLE OF THOSE SHOWN ABOVE.
4. LEAD COLORS ARE OPTIONAL. LEADS MUST ALWAYS BE NUMBERED AS SHOWN.

CD0005

REV. DESC: REVISE TO SHOW OPTIONAL COLORS			
REV. LTR: E	BY: JLP	REVISED: 01/19/99 10:15	TDR: 0171435
S00000		FILE: AAA00005140	MDL: -
		MTL: -	

BALDOR ELECTRIC Co.

3PH, DV, 9 LEADS