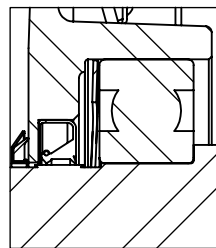
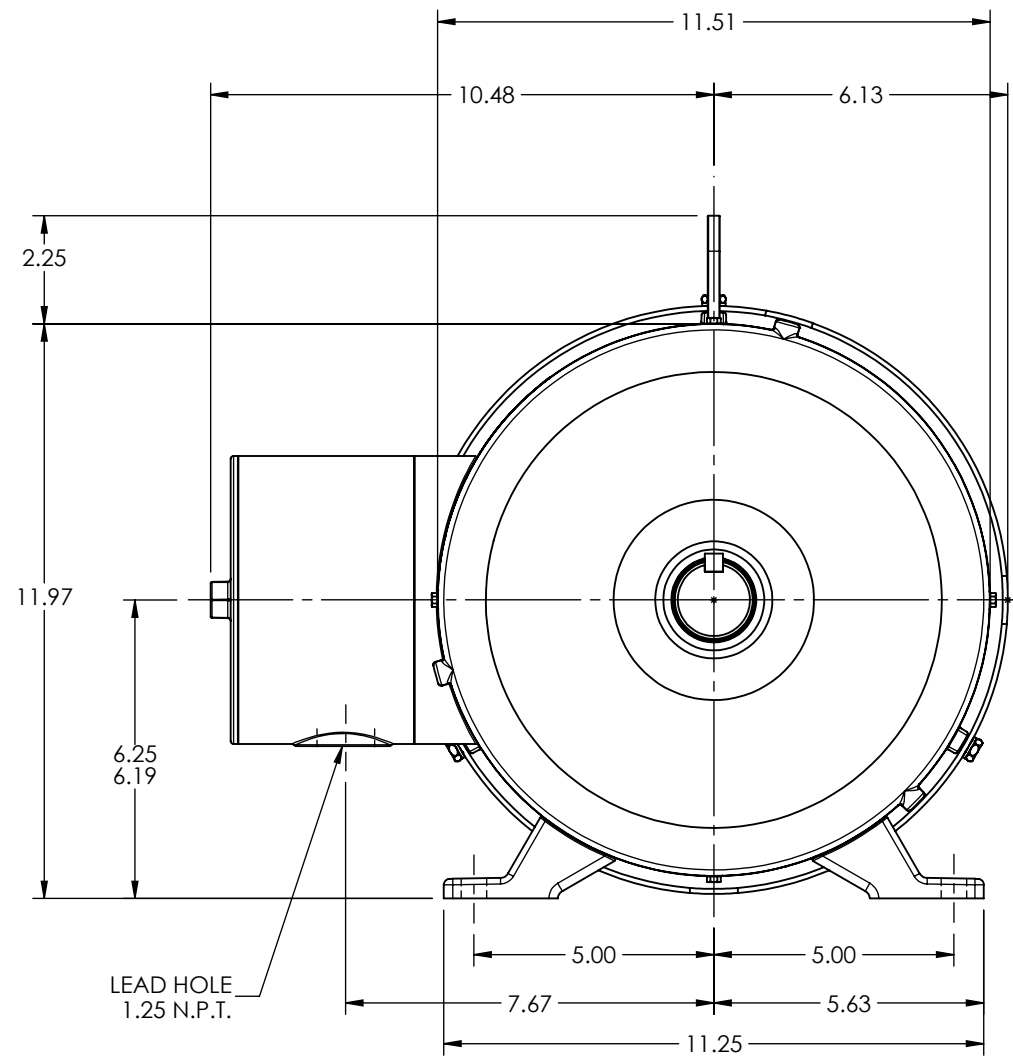
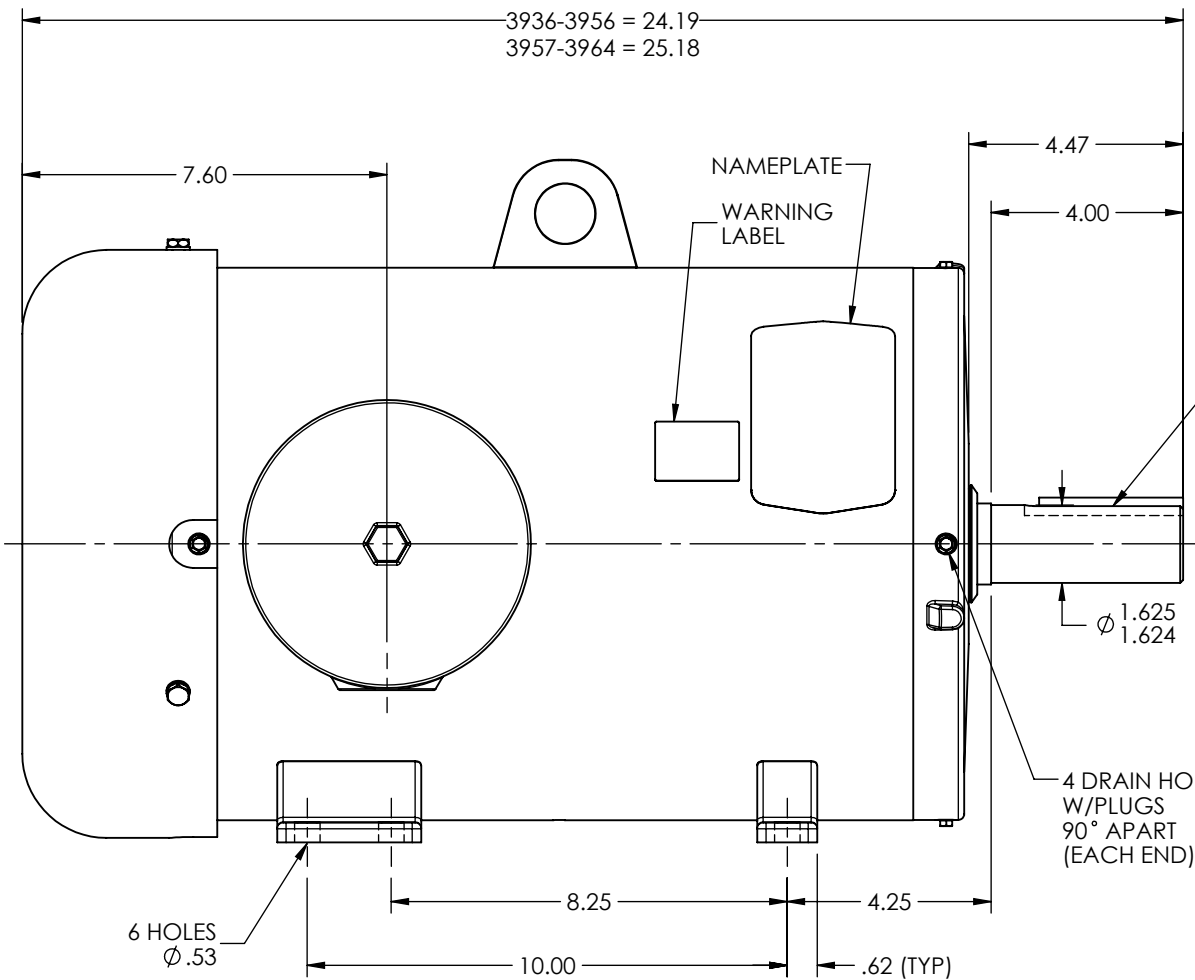
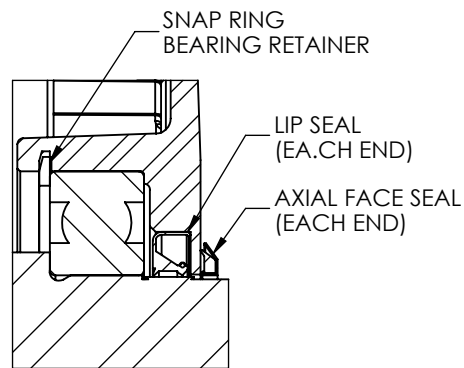


39LYE739



FRONT END DETAIL



PULLEY END DETAIL

CUSTOMER IS RESPONSIBLE FOR DETERMINING THAT THE PRODUCT WILL PERFORM SUITABLY IN THE INTENDED APPLICATION

REV. DESC: REMOVE DRAIN FTG & ADD PLUG/ UPDATE NP			
REV: C	VERSION: 03	REVISED: 01:56:43 08/04/2023	TDR: 000001202642
MODEL NO. 39LYE739			REF: -
BY: ENFRAJ0			B

BALDOR - RELIANCE®

HORZ TEFC 254-6T WD11/12

39LYE739