

ABB BALDOR RELIANCE III

Customer information packet

FPM2565T-4

250/200HP, 60//50HZ, 2PL, 3PH, 445TS, OPEN

Class - None

Division - Not Applicable

Specifications

Enclosure	DP
Frame	445TS
Frame Material	Iron
Frequency	50.00 Hz 60.00 Hz
Haz Area Class and Group	None
Haz Area Division	Not Applicable
Motor Letter Type	Three Phase
Output @ Frequency	250.000 HP @ 60 HZ 200.000 HP @ 50 HZ
Phase	3
Synchronous Speed @ Frequency	3600 RPM @ 60 HZ
Voltage @ Frequency	380.0 V @ 50 HZ 460.0 V @ 60 HZ
Agency Approvals	CSA EEV CCSA US UL
Ambient Temperature	40 °C
Auxiliary Box	NO AUXILLARY BOX
Base Indicator	Rigid
Bearing Grease Type	Polyrex EM (-20F +300F)
Current @ Voltage	279.000 A @ 380.0 V 288.000 A @ 460.0 V
Design Code	B
Drip Cover	No Drip Cover
Duty Rating	CONT
Efficiency @ 100% Load	94.5 %
Feedback Device	NO FEEDBACK
Heater Indicator	No Heater
High Voltage Full Load Amps	279.0 a
Insulation Class	B
Inverter Code	Not Inverter

Part Detail

Revision	F
Type	AC
Mech. spec.	
Base	
Status	PRD/A
Elec. spec.	A44WG5467
Layout	617428-044
Eff. date	09-25-2025
CD Diagram	421948-079
Poles	02
Leads	12#4
Proprietary	False
Created date	09-17-2015

KVA Code	E
Lifting Lugs	No Lifting Lugs
Motor Lead Quantity/Wire Size	12 @ 4 AWG
Motor Standards	NEMA
Motor Type	A44056M
Mounting Arrangement	F1
Number of Poles	2
Overall Length	35.88 IN
Power Factor	86
Product Family	Other
Pulley End Bearing Type	Ball
Pulley Face Code	Standard
Service Factor	1.15
Shaft Ground Indicator	No Shaft Grounding
Shaft Rotation	Reversible
Shaft Slinger Indicator	No Slinger
Speed	2960 rpm 3560 rpm
Speed Code	Single Speed
Starting Method	Wye Start - Delta Run
Thermal Device - Bearing	None
Thermal Device - Winding	None

Nameplate

NP3488L

CAT.NO.	FPM2565T-4	CUST P/N		I.P.	
SPEC.	P44G1853	SER.NO.		FRAME	445TS
HZ	60	HP	250	RPM	3560
				HZ	50
				HP	200
				RPM	2960
VOLTS	460	CODE	E	VOLTS	380
				CODE	E
AMPS	288	DES	B	AMPS	279
				DES	B
EFF	94.5	SER.F.	1.15	PF	86
				EFF	94.4
				SER.F.	1.15
				PF	86
RATING	40C AMB-CONT	DE BRG	65BC03J30X	GREASE	POLYREX EM
BLANK		ODE BRG	65BC03J30X	MTR. WT.	
		CLASS	F	PH	3
		ENCL	DP	CC	010A
HTR-VOLTS		HTR-AMPS		HTR-WATTS	
				MAX. SPACE HEATER TEMP.	

REL. S.O.	FRAME	HP	TYPE	PHASE/ HERTZ	RPM	VOLTS
	445TS	250	P	3/60	3560	460
AMPS	DUTY	AMB °C/ INSUL.	S.F.	NEMA DESIGN	CODE LETTER	ENCL.
288	CONT	40/F	1.15	B	E	PROT
E/S	ROTOR	TEST S.O.	TEST DATE	STATOR RES. @25 °C OHMS (BETWEEN LINES)		
-	418143014CE	---	---	.0196		

PERFORMANCE

LOAD	HP	AMPERES	RPM	% POWER FACTOR	% EFFICIENCY
NO LOAD	0	85.4	3600	6.40	0
1/4	62.6	111	3590	58.0	90.8
2/4	125	159	3581	77.9	94.1
3/4	187	221	3571	83.9	94.8
4/4	250	288	3560	85.8	94.7
5/4	313	359	3548	86.6	94.2

SPEED TORQUE

	RPM	TORQUE % FULL LOAD	TORQUE LB.-FT.	AMPERES
LOCKED ROTOR	0	159	588	1485
PULL UP	2170	133	491	1249
BREAKDOWN	3429	217	800	838
FULL LOAD	3560	100	369	288

AMPERES SHOWN FOR 460. VOLT CONNECTION. IF OTHER VOLTAGE CONNECTIONS ARE AVAILABLE, THE AMPERES WILL VARY INVERSELY WITH THE RATED VOLTAGE

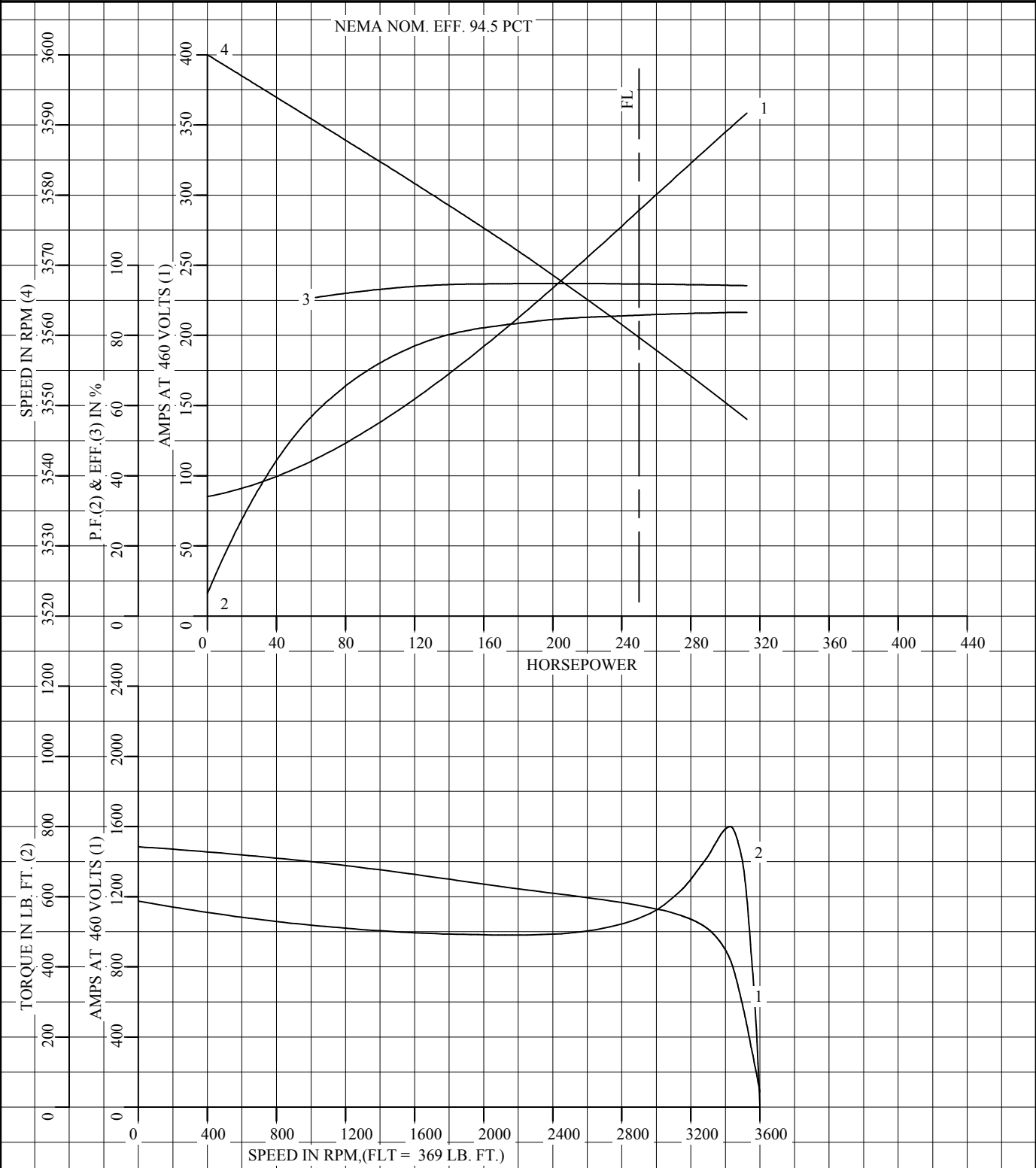
REMARKS: TYPICAL DATA
NEMA NOM. EFF. 94.5 PCT



DR. BY CD
CK. BY T. KELATI
APP. BY T. KELATI
DATE 12/17/2015

**A-C MOTOR
PERFORMANCE DATA** A44WG5467-R001
ISSUE DATE 12/17/20

REL S.O.	RPM 3560	S.F. 1.15	ROTOR 418143014CE
FRAME 445TS	VOLTS 460	NEMA DESIGN B	TEST S.O. TYPICAL DATA
HP 250	AMPS 288	CODE LETTER E	TEST DATE ---
TYPE P	DUTY CONT	ENCLOSURE PROT	STATOR RES. @ 25 °C .0196
PHASE/HERTZ 3/60	AMB °C/INSUL 40/F	E/S -	OHMS (BETWEEN LINES)

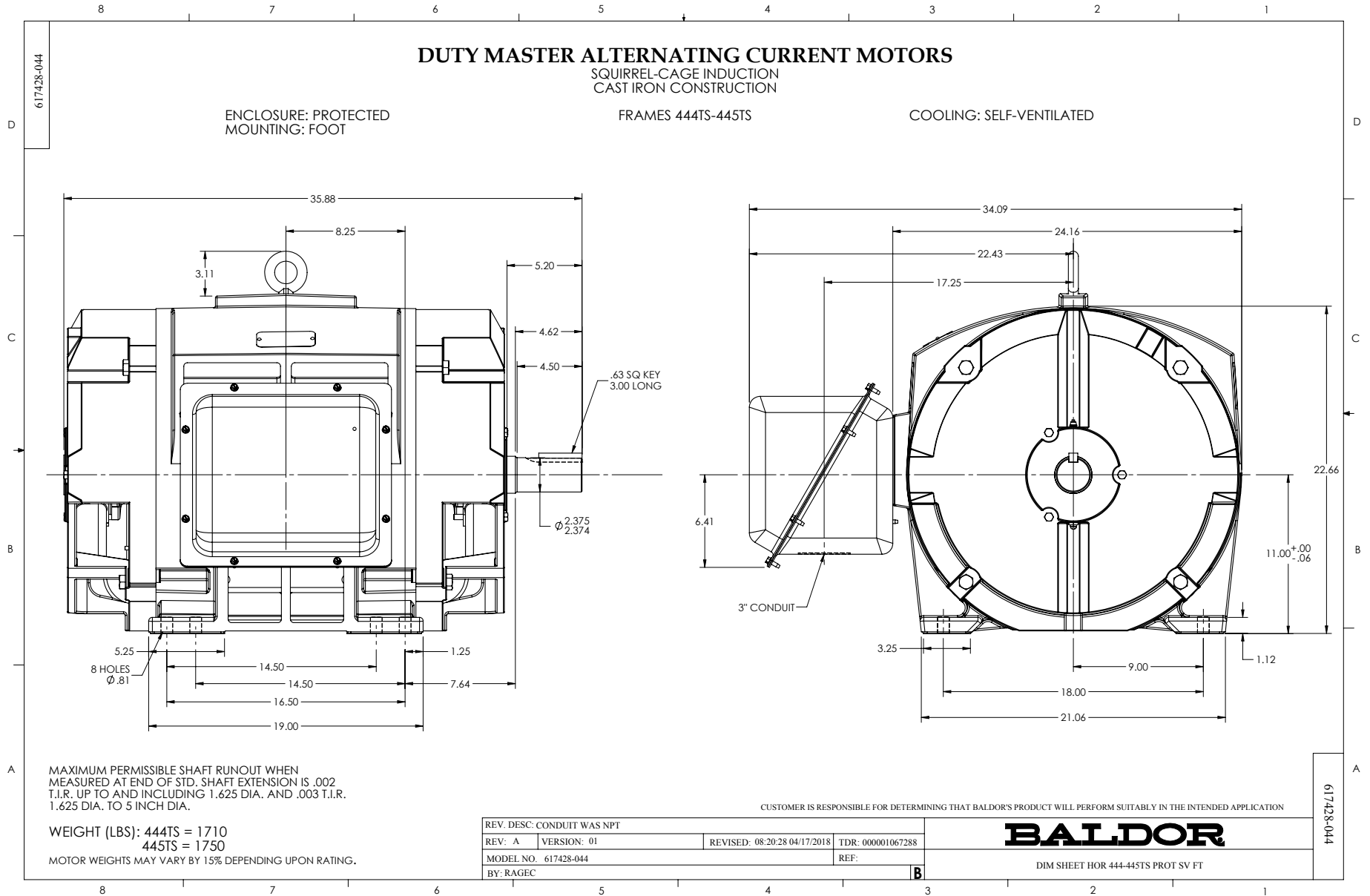


AMPERES SHOWN FOR 460 VOLT CONNECTION, IF OTHER VOLTAGE CONNECTIONS ARE AVAILABLE, THE AMPERES WILL VARY INVERSELY WITH THE RATED VOLTAGE.



DR. BY CD
 CK. BY T. KELATI
 APP. BY T. KELATI
 DATE 12/17/2015

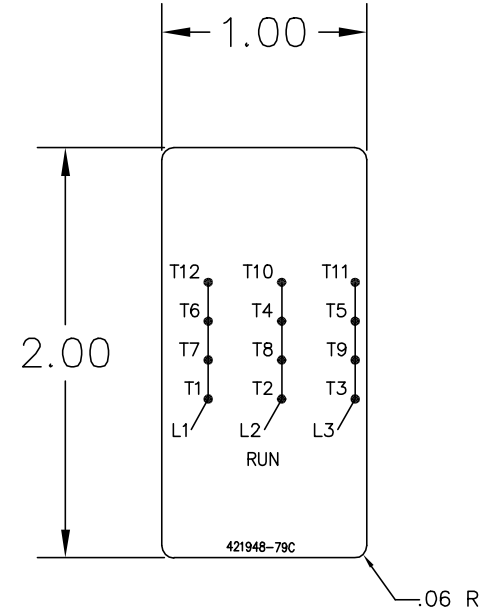
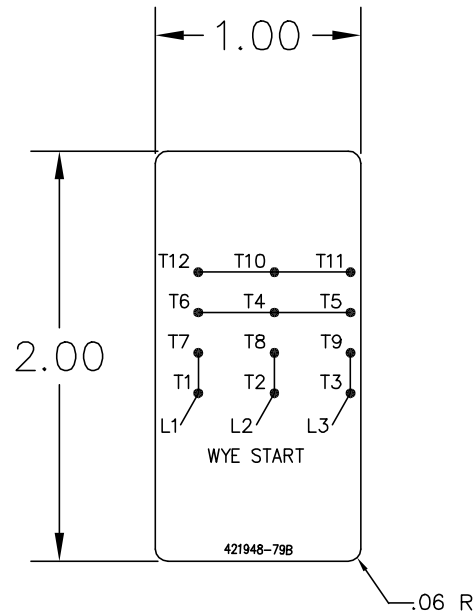
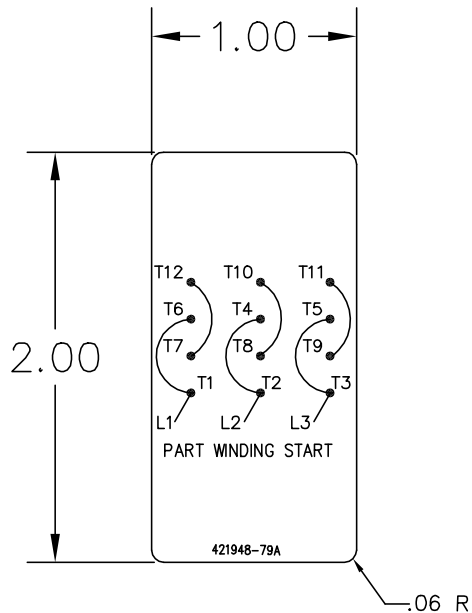
**A-C MOTOR
PERFORMANCE
CURVES** A44WG5467-R001
 ISSUE DATE 12/17/2015



421948-079

TOLERANCE UNLESS OTHERWISE SHOWN
 ONE PLACE DECIMAL ±.1
 TWO PLACE DECIMAL ±.02
 THREE PLACE DECIMAL ±.003
 ANGLE ±0°-30'

SURFACE FINISH 250



MATERIAL SPECIFICATION: .005 THICK DULL SILVER MYLAR,
 TOPCOAT-ARMORCOTE, PS ADHESIVE, LABEL MUST MEET THE
 REQUIREMENTS AS SPECIFIED IN CANADIAN STANDARDS
 ASSOCIATION: "CSA TESTING LABORATORIES TEST PROGRAM
 FOR ADHESIVE TYPE NAMEPLATES".
 LETTERING: UNIVERSAL TYPE UNLESS OTHERWISE SPECIFIED.
 COLORS: 1) BLACK ON NATURAL BACKGROUND

REF: 410961-66A

-	1	421948-79C	RUN CONNECTION
-	1	421948-79B	WYE START
-	1	421948-79A	PART WINDING START
-	R	PART	DESCRIPTION

421948-079

REV. DESC: UPDATE DRAWING TO REFLECT CORRECT REVISION LETTER		
REV. LTR: C	VERSION: 03	TDR: 000001225403
FILE: \RAG\00013\521	REVISED: 09:01:40 02/07/2024	BY: USBRSP1
MTL: -	⊙ □	

BALDOR - RELIANCE®

MYLAR 12 LEAD PWS OR WYE-DELTA WIRING DIAGRAM

SH 1 of 1