

ABB BALDOR RELIANCE III

Customer information packet

FPM2563TS-4

200/150HP, 60//50HZ, 4PL, 3PH, 445TS, OPEN

Class - None

Division - Not Applicable

Specifications

Enclosure	DP
Frame	445TS
Frame Material	Iron
Frequency	50.00 Hz 60.00 Hz
Haz Area Class and Group	None
Haz Area Division	Not Applicable
Motor Letter Type	Three Phase
Output @ Frequency	200.000 HP @ 60 HZ 150.000 HP @ 50 HZ
Phase	3
Synchronous Speed @ Frequency	1800 RPM @ 60 HZ
Voltage @ Frequency	380.0 V @ 50 HZ 460.0 V @ 60 HZ
Agency Approvals	CSA EEV CCSA US UL
Ambient Temperature	40 °C
Auxiliary Box	NO AUXILLARY BOX
Base Indicator	Rigid
Bearing Grease Type	Polyrex EM (-20F +300F)
Current @ Voltage	205.000 A @ 380.0 V 224.000 A @ 460.0 V
Design Code	B
Drip Cover	No Drip Cover
Duty Rating	CONT
Efficiency @ 100% Load	95.0 %
Feedback Device	NO FEEDBACK
Heater Indicator	No Heater
High Voltage Full Load Amps	205.0 a
Insulation Class	B
Inverter Code	Not Inverter

Part Detail

Revision	G
Type	AC
Mech. spec.	
Base	
Status	PRD/A
Elec. spec.	A44WG5465
Layout	617428-044
Eff. date	09-25-2025
CD Diagram	421948-079
Poles	04
Leads	12#6
Proprietary	False
Created date	09-17-2015

KVA Code	F
Lifting Lugs	No Lifting Lugs
Motor Lead Quantity/Wire Size	12 @ 6 AWG
Motor Standards	NEMA
Motor Type	A44060M
Mounting Arrangement	F1
Number of Poles	4
Overall Length	35.88 IN
Power Factor	88
Product Family	Other
Pulley End Bearing Type	Ball
Pulley Face Code	Standard
Service Factor	1.15
Shaft Ground Indicator	No Shaft Grounding
Shaft Rotation	Reversible
Shaft Slinger Indicator	No Slinger
Speed	1480 rpm 1780 rpm
Speed Code	Single Speed
Starting Method	Wye Start - Delta Run
Thermal Device - Bearing	None
Thermal Device - Winding	None

Nameplate

NP3488L

CAT.NO.	FPM2563TS-4	CUST P/N		I.P.	
SPEC.	P44G1852	SER.NO.		FRAME	445TS
HZ	60	HP	200	RPM	1780
				HZ	50
				HP	150
				RPM	1480
VOLTS	460	CODE	F	VOLTS	380
				CODE	G
AMPS	224	DES	B	AMPS	205
				DES	B
EFF	95	SER.F.	1.15	PF	88
				EFF	94.8
				SER.F.	1.15
				PF	87
RATING	40C AMB-CONT	DE BRG	65BC03J30X	GREASE	POLYREX EM
BLANK		ODE BRG	65BC03J30X	MTR. WT.	
		CLASS	F	PH	3
		ENCL	DP	CC	010A
HTR-VOLTS		HTR-AMPS		HTR-WATTS	
				MAX. SPACE HEATER TEMP.	

REL. S.O.	FRAME	HP	TYPE	PHASE/ HERTZ	RPM	VOLTS
	445T	200	P	3/60	1780	460
AMPS	DUTY	AMB °C/ INSUL.	S.F.	NEMA DESIGN	CODE LETTER	ENCL.
224	CONT	40/B	1.15	B	F	PREM
E/S	ROTOR	TEST S.O.	TEST DATE	STATOR RES. @25 °C OHMS (BETWEEN LINES)		
498023	418143036LE	---	---	.0356		

PERFORMANCE

LOAD	HP	AMPERES	RPM	% POWER FACTOR	% EFFICIENCY
NO LOAD	0	58.4	1800	4.94	0
1/4	50.1	78.8	1796	63.7	93.5
2/4	100	119	1791	82.2	95.6
3/4	150	169	1786	86.8	95.7
4/4	200	224	1781	87.8	95.1
5/4	250	282	1775	88.3	94.1

SPEED TORQUE

	RPM	TORQUE % FULL LOAD	TORQUE LB.-FT.	AMPERES
LOCKED ROTOR	0	158	930	1370
PULL UP	540	145	855	1315
BREAKDOWN	1704	247	1455	822
FULL LOAD	1781	100	590	224

AMPERES SHOWN FOR 460. VOLT CONNECTION. IF OTHER VOLTAGE CONNECTIONS ARE AVAILABLE, THE AMPERES WILL VARY INVERSELY WITH THE RATED VOLTAGE

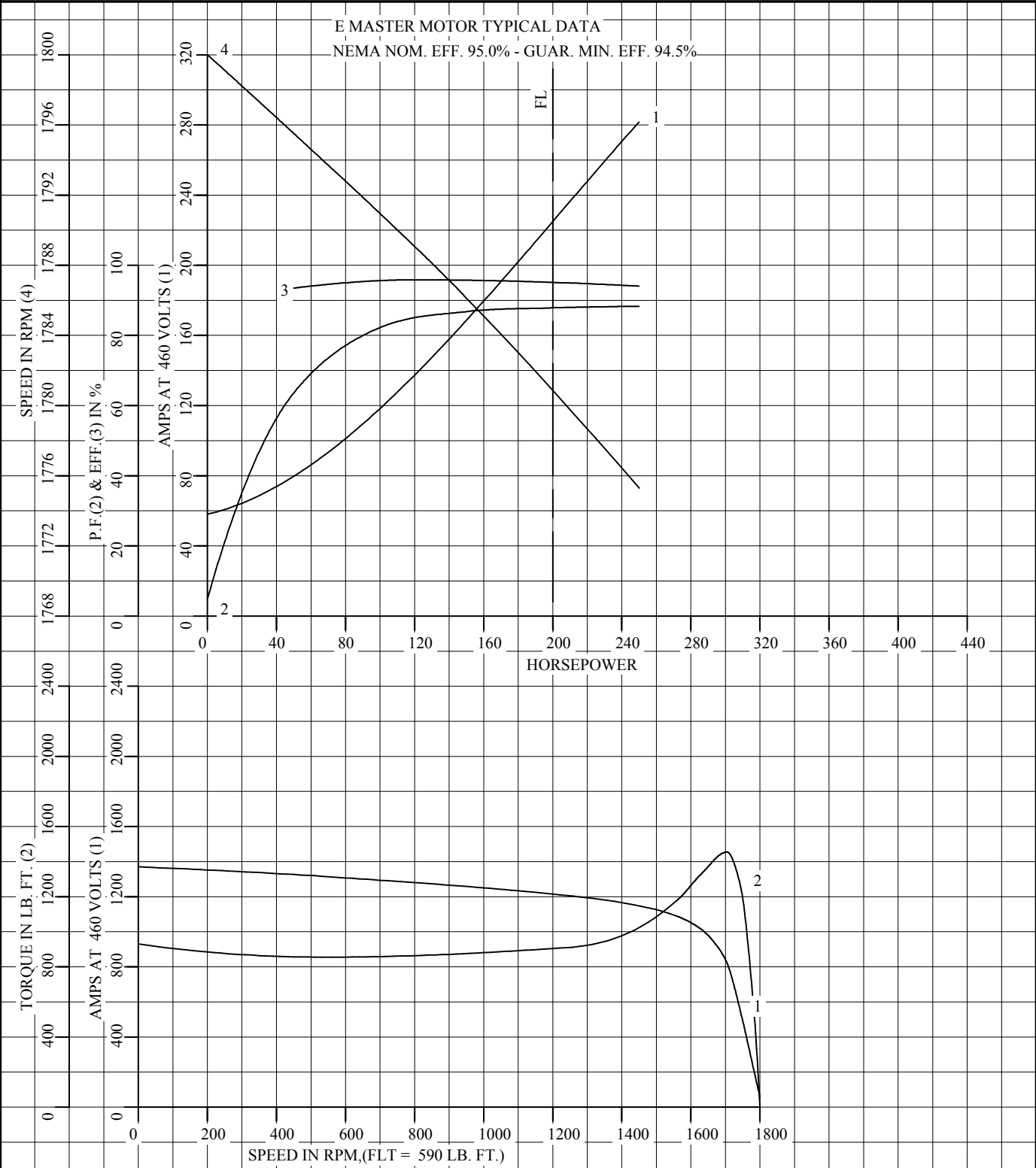
REMARKS: E MASTER MOTOR TYPICAL DATA
NEMA NOM. EFF. 95.0% - GUAR. MIN. EFF. 94.5%



DR. BY CD
CK. BY T. KELATI
APP. BY T. KELATI
DATE 12/17/15

**A-C MOTOR
PERFORMANCE A44WG5465-R001
DATA** ISSUE DATE 12/17/15

REL S.O.	RPM 1780	S.F. 1.15	ROTOR 418143036LE
FRAME 445T	VOLTS 460	NEMA DESIGN B	TEST S.O. ---
HP 200	AMPS 224	CODE LETTER F	TEST DATE ---
TYPE P	DUTY CONT	ENCLOSURE PREM	STATOR RES. @ 25 °C .0356
PHASE/HERTZ 3/60	AMB °C/INSUL 40/B	E/S 498023	OHMS (BETWEEN LINES)

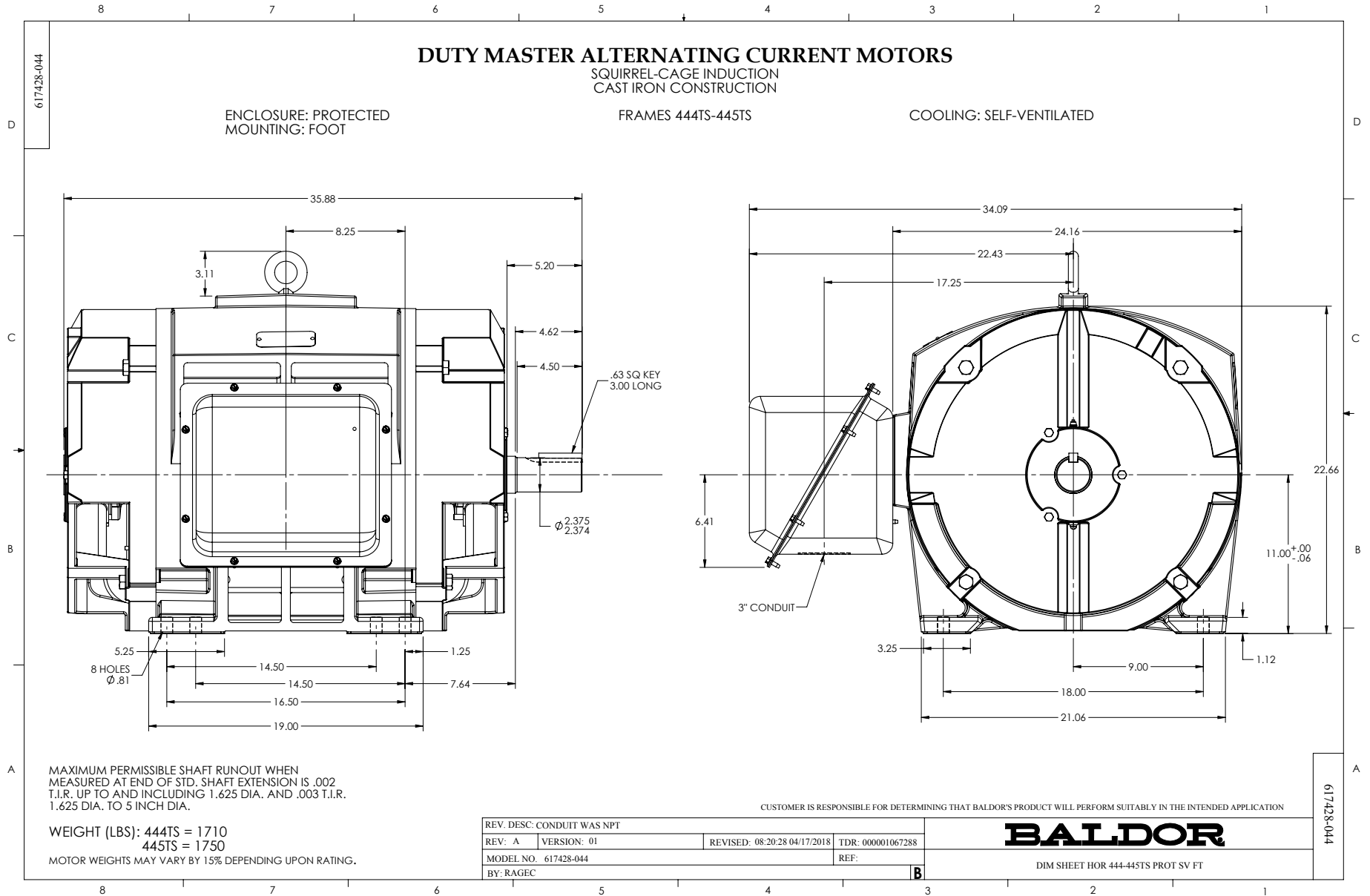


AMPERES SHOWN FOR 460 VOLT CONNECTION, IF OTHER VOLTAGE CONNECTIONS ARE AVAILABLE, THE AMPERES WILL VARY INVERSELY WITH THE RATED VOLTAGE.



DR. BY CD
 CK. BY T. KELATI
 APP. BY T. KELATI
 DATE 12/17/15

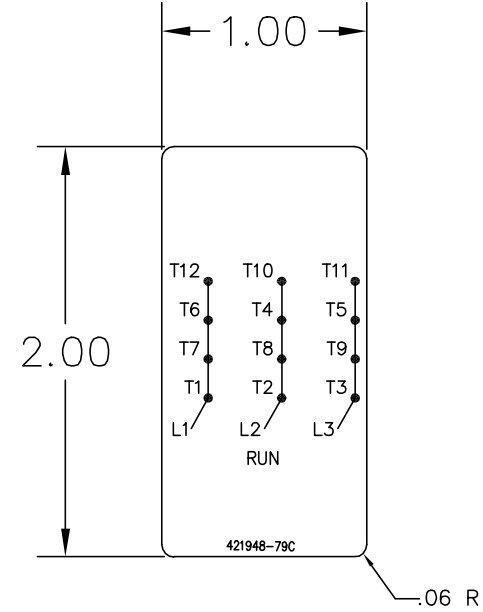
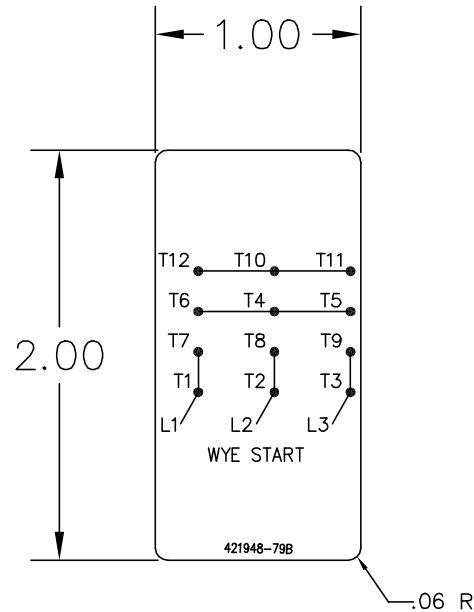
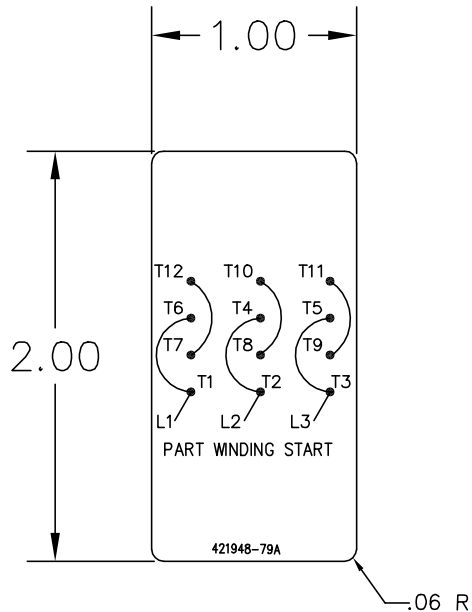
**A-C MOTOR
 PERFORMANCE CURVES**
 A44WG5465-R001
 ISSUE DATE 12/17/15



421948-079

TOLERANCE UNLESS OTHERWISE SHOWN
 ONE PLACE DECIMAL ±.1
 TWO PLACE DECIMAL ±.02
 THREE PLACE DECIMAL ±.003
 ANGLE ±0°-30'

SURFACE FINISH 250



MATERIAL SPECIFICATION: .005 THICK DULL SILVER MYLAR,
 TOPCOAT-ARMORCOTE, PS ADHESIVE, LABEL MUST MEET THE
 REQUIREMENTS AS SPECIFIED IN CANADIAN STANDARDS
 ASSOCIATION: "CSA TESTING LABORATORIES TEST PROGRAM
 FOR ADHESIVE TYPE NAMEPLATES".
 LETTERING: UNIVERSAL TYPE UNLESS OTHERWISE SPECIFIED.
 COLORS: 1) BLACK ON NATURAL BACKGROUND

REF: 410961-66A

-	1	421948-79C	RUN CONNECTION
-	1	421948-79B	WYE START
-	1	421948-79A	PART WINDING START
-	R	PART	DESCRIPTION

GROUP
GROUP

421948-079

REV. DESC: UPDATE DRAWING TO REFLECT CORRECT REVISION LETTER		
REV. LTR: C	VERSION: 03	TDR: 000001225403
FILE: \RAG\00013\521	REVISED: 09:01:40 02/07/2024	BY: USBRSP1
MTL: -	☉ □	

BALDOR - RELIANCE®

MYLAR 12 LEAD PWS OR WYE-DELTA WIRING DIAGRAM

SH 1 of 1