

**BALDOR • RELIANCE**

---

# Customer information packet

## FPM2558TS-4

150/125HP, 60//50HZ, 4PL, 3PH, 445TS, OPEN

Class - None

Division - Not Applicable

Copyright © All product information within this document is subject to ABB Motors and Mechanical Inc. copyright © protection, unless otherwise noted.

1/18/2025 9:30:26 PM

## Specifications

Enclosure	DP
Frame	444TS
Frame Material	Iron
Frequency	50.00 Hz 60.00 Hz
Haz Area Class and Group	None
Haz Area Division	Not Applicable
Motor Letter Type	Three Phase
Output @ Frequency	150.000 HP @ 60 HZ 125.000 HP @ 50 HZ
Phase	3
Synchronous Speed @ Frequency	1800 RPM @ 60 HZ
Voltage @ Frequency	380.0 V @ 50 HZ 460.0 V @ 60 HZ
Agency Approvals	CSA EEV CCSA US UL
Ambient Temperature	40 °C
Auxillary Box	No Auxillary Box
Base Indicator	Rigid
Bearing Grease Type	Polyrex EM (-20F +300F)
Current @ Voltage	167.000 A @ 460.0 V 169.000 A @ 380.0 V
Design Code	B
Drip Cover	No Drip Cover
Duty Rating	CONT
Efficiency @ 100% Load	95.0 %
Feedback Device	NO FEEDBACK
Heater Indicator	No Heater
High Voltage Full Load Amps	167.0 a
Insulation Class	B
Inverter Code	Not Inverter

## Part detail

Revision	E
Type	AC
Mech. spec.	
Base	
Status	PRD/A
Elec. spec.	A44WG5440
Layout	617428-044
Eff. date	01-26-2018
CD Diagram	421948-079
Poles	04
Leads	12#4
Proprietary	False
Created date	09-15-2015

<b>KVA Code</b>	F
<b>Lifting Lugs</b>	No Lifting Lugs
<b>Motor Lead Quantity/Wire Size</b>	12 @ 4 AWG
<b>Motor Standards</b>	NEMA
<b>Motor Type</b>	A44054M
<b>Mounting Arrangement</b>	F1
<b>Number of Poles</b>	4
<b>Overall Length</b>	35.88 IN
<b>Power Factor</b>	88
<b>Product Family</b>	Other
<b>Pulley End Bearing Type</b>	Ball
<b>Pulley Face Code</b>	Standard
<b>Service Factor</b>	1.15
<b>Shaft Ground Indicator</b>	No Shaft Grounding
<b>Shaft Rotation</b>	Reversible
<b>Shaft Slinger Indicator</b>	No Slinger
<b>Speed</b>	1480 rpm 1780 rpm
<b>Speed Code</b>	Single Speed
<b>Starting Method</b>	Wye Start - Delta Run
<b>Thermal Device - Bearing</b>	None
<b>Thermal Device - Winding</b>	None

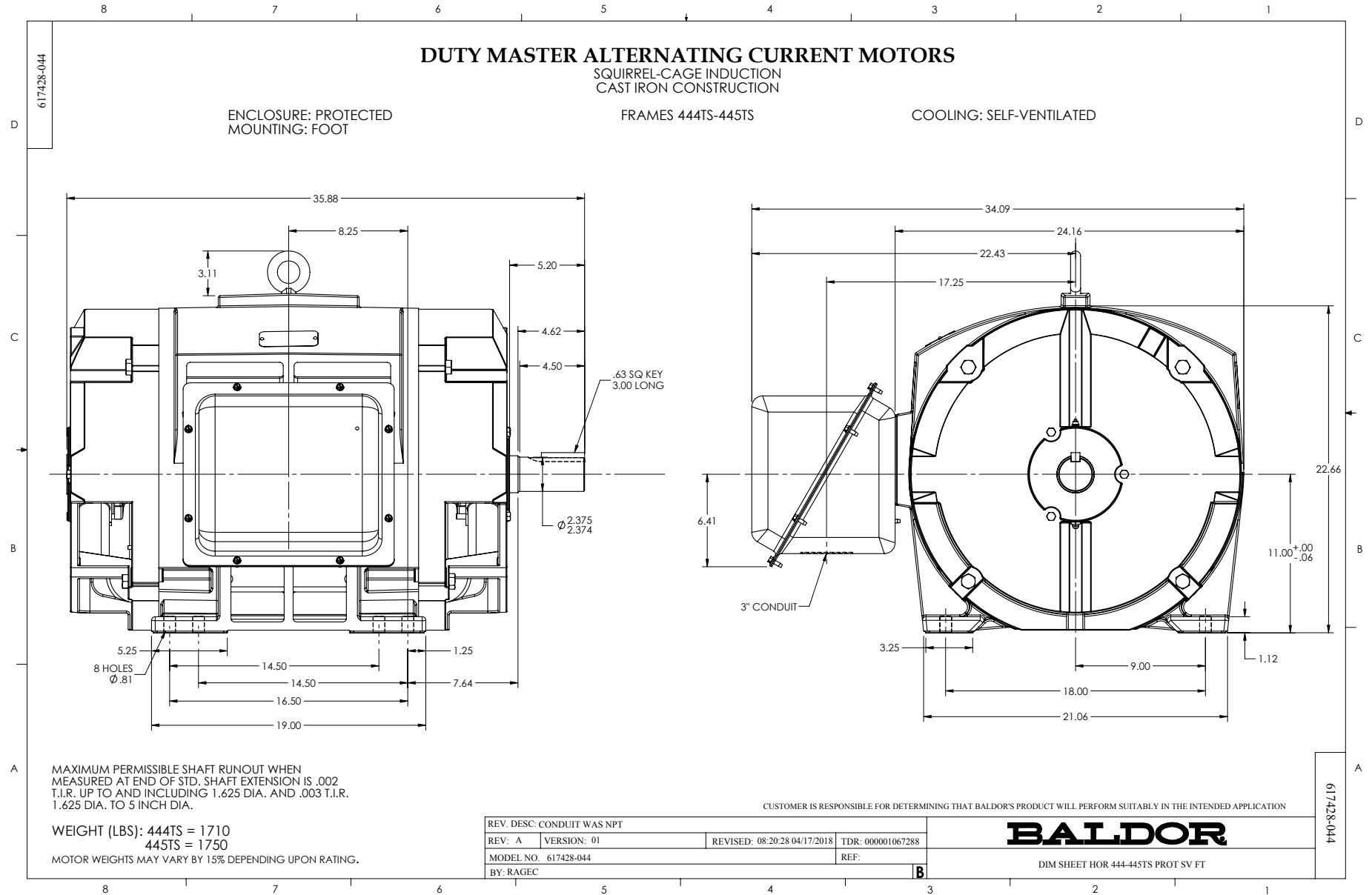
**Nameplate**

**NP3488L**

<b>CAT.NO.</b>	FPM2558TS-4	<b>CUST P/N</b>		<b>I.P.</b>	
<b>SPEC.</b>	P44G1850	<b>SER.NO.</b>		<b>FRAME</b>	444TS
<b>HZ</b>	60	<b>HP</b>	150	<b>RPM</b>	1780
				<b>HZ</b>	50
				<b>HP</b>	125
				<b>RPM</b>	1480
<b>VOLTS</b>	460	<b>CODE</b>	F	<b>VOLTS</b>	380
		<b>CODE</b>	F		
<b>AMPS</b>	167	<b>DES</b>	B	<b>AMPS</b>	169
		<b>DES</b>	B		
<b>EFF</b>	95	<b>SER.F.</b>	1.15	<b>PF</b>	88
				<b>EFF</b>	94.3
				<b>SER.F.</b>	1.15
				<b>PF</b>	88
<b>RATING</b>	40C AMB-CONT		<b>DE BRG</b>	65BC03J30X	
			<b>GREASE</b>	POLYREX EM	
<b>BLANK</b>			<b>ODE BRG</b>	65BC03J30X	
			<b>MTR. WT.</b>		
			<b>CLASS</b>	F	<b>PH</b> 3
			<b>ENCL</b>	DP	<b>CC</b> 010A
<b>HTR-VOLTS</b>		<b>HTR-AMPS</b>		<b>HTR-WATTS</b>	
				<b>MAX. SPACE HEATER TEMP.</b>	



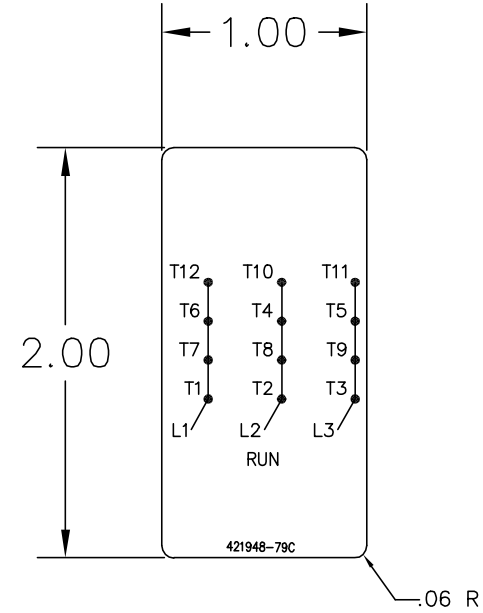
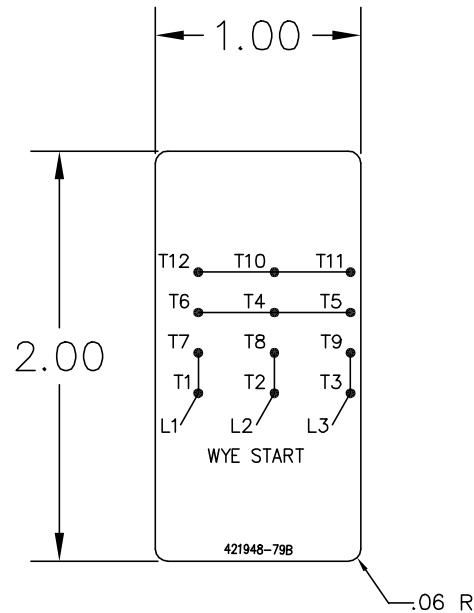
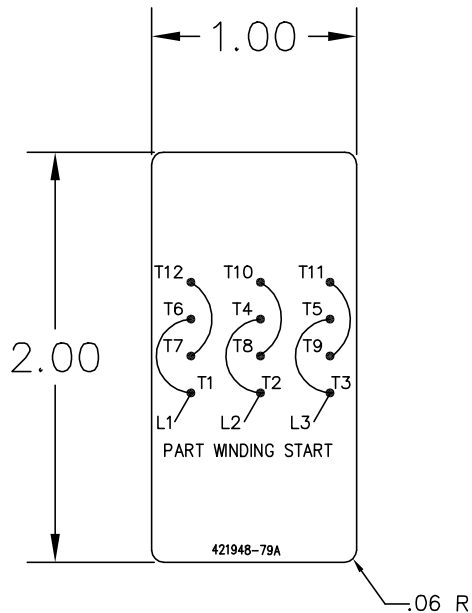




421948-079

TOLERANCE UNLESS OTHERWISE SHOWN  
 ONE PLACE DECIMAL ±.1  
 TWO PLACE DECIMAL ±.02  
 THREE PLACE DECIMAL ±.003  
 ANGLE ±0°-30'

SURFACE FINISH 250



MATERIAL SPECIFICATION: .005 THICK DULL SILVER MYLAR,  
 TOPCOAT-ARMORCOTE, PS ADHESIVE, LABEL MUST MEET THE  
 REQUIREMENTS AS SPECIFIED IN CANADIAN STANDARDS  
 ASSOCIATION: "CSA TESTING LABORATORIES TEST PROGRAM  
 FOR ADHESIVE TYPE NAMEPLATES".  
 LETTERING: UNIVERSAL TYPE UNLESS OTHERWISE SPECIFIED.  
 COLORS: 1) BLACK ON NATURAL BACKGROUND

REF: 410961-66A

-	1	421948-79C	RUN CONNECTION
-	1	421948-79B	WYE START
-	1	421948-79A	PART WINDING START
-	R	PART	DESCRIPTION

GROUP			
GROUP			

421948-079

REV. DESC: UPDATE DRAWING TO REFLECT CORRECT REVISION LETTER		
REV. LTR: C	VERSION: 03	TDR: 000001225403
FILE: \RAG\00013\521	REVISED: 09:01:40 02/07/2024	BY: USBRSP1
MTL: -		

**BALDOR - RELIANCE®**

MYLAR 12 LEAD PWS OR WYE-DELTA WIRING DIAGRAM

SH 1 of 1