

BALDOR • RELIANCE

Customer information packet

FDL3712TM

10HP, 1730RPM, 1PH, 60HZ, 213T, 3752LC, TEFC, F

Class - None

Division - Not Applicable

Copyright © All product information within this document is subject to ABB Motors and Mechanical Inc. copyright © protection, unless otherwise noted.

8/15/2024 12:23:58 AM

Specifications

Enclosure	TEFC
Frame	213T
Frame Material	Steel
Frequency	60.00 Hz
Haz Area Class and Group	None
Haz Area Division	Not Applicable
Motor Letter Type	Cap Start, Cap Run
Output @ Frequency	10.000 HP @ 60 HZ
Phase	1
Synchronous Speed @ Frequency	1800 RPM @ 60 HZ
Voltage @ Frequency	230.0 V @ 60 HZ
Agency Approvals	UR CSA
Ambient Temperature	40 °C
Auxillary Box	No Auxillary Box
Auxillary Box Lead Termination	None
Base Indicator	Rigid
Bearing Grease Type	Polyrex EM (-20F +300F)
Blower	None
Current @ Voltage	39.000 A @ 230.0 V
Design Code	L
Drip Cover	No Drip Cover
Duty Rating	CONT
Efficiency @ 100% Load	86.5 %
Electrically Isolated Bearing	Not Electrically Isolated
Feedback Device	NO FEEDBACK
Front Shaft Indicator	None
Heater Indicator	No Heater
High Voltage Full Load Amps	39.0 a
Insulation Class	F
Inverter Code	Not Inverter
KVA Code	H

Part detail

Revision	D
Type	AC
Mech. spec.	37N374
Base	
Status	PRD/A
Elec. spec.	37WGT913
Layout	37LYN374
Eff. date	07-25-2024
CD Diagram	CD0152
Poles	04
Leads	2#10 A PH,3#14 B PH
Proprietary	False
Created date	11-20-2020

Lifting Lugs	Standard Lifting Lugs
Locked Bearing Indicator	Locked Bearing
Motor Lead Quantity/Wire Size	2 @ 10 AWG, A PH
Motor Lead Termination	Flying Leads
Motor Standards	NEMA
Motor Type	3750LC
Mounting Arrangement	F1
Number of Poles	4
Overall Length	21.37 IN
Power Factor	96
Product Family	General Purpose
Pulley End Bearing Type	Sealed Bearing
Pulley Face Code	Standard
Pulley Shaft Indicator	Standard
Rodent Screen	None
Service Factor	1.00
Shaft Diameter	1.375 IN
Shaft Ground Indicator	No Shaft Grounding
Shaft Rotation	Reversible
Shaft Slinger Indicator	Shaft Slinger
Speed	1730 rpm
Speed Code	Single Speed
Starting Method	Direct on line
Thermal Device - Bearing	None
Thermal Device - Winding	None
Vibration Sensor Indicator	No Vibration Sensor
Winding Thermal 1	Manual Thermal Overload
Winding Thermal 1 Location	KO
Winding Thermal 2	None

Nameplate

NP1280L									
CAT.NO.	FDL3712TM								
SPEC.	37N374T913G1								
HP	10								
VOLTS	230								
AMP	39								
RPM	1730								
FRAME	215T	HZ	60	PH	1				
SER.F.	1.00	CODE	H	DES	L	CL	F		
NEMA-NOM-EFF	86.5	PF	96						
RATING	40C AMB-CONT								
CC									
DE	6307	ODE	6206						
ENCL	TEFC	SN							

AC Induction Motor Performance Data

Record # 21642

Typical performance - not guaranteed values

Winding: 37WGT913-R001		Type: 3752LC		Enclosure: TEFC	
Nameplate Data			230 V, 60 Hz: Single Voltage Motor		
Rated Output (HP)	10	Full Load Torque	30.48 LB-FT		
Volts	230	Start Configuration	direct on line		
Full Load Amps	39	Breakdown Torque	86.2 LB-FT		
R.P.M.	1730	Pull-up Torque	63.3 LB-FT		
Hz	60 Phase	1	Locked-rotor Torque	125 LB-FT	
NEMA Design Code	L	KVA Code	H	Starting Current	300 A
Service Factor (S.F.)		1	No-load Current	11.6 A	
NEMA Nom. Eff.	86.5	Power Factor	96	Line-line Res. @ 25°C	0.1493 Ω A Ph 0.41 Ω B Ph
Rating - Duty	40C AMB-CONT		Temp. Rise @ Rated Load	97°C	
			Locked-rotor Power Factor	92.9	
			Rotor inertia	1.23 lb-ft ²	

Load Characteristics 230 V, 60 Hz, 10 HP

% of Rated Load	25	50	75	100	125	150
Power Factor	74	88	93	94	95	94
Efficiency	73.3	83.9	86.8	86.1	82.6	80.4
Speed	1780	1765	1746	1726	1701	1667
Line amperes	14.7	22	30.3	39.9	51	63.8

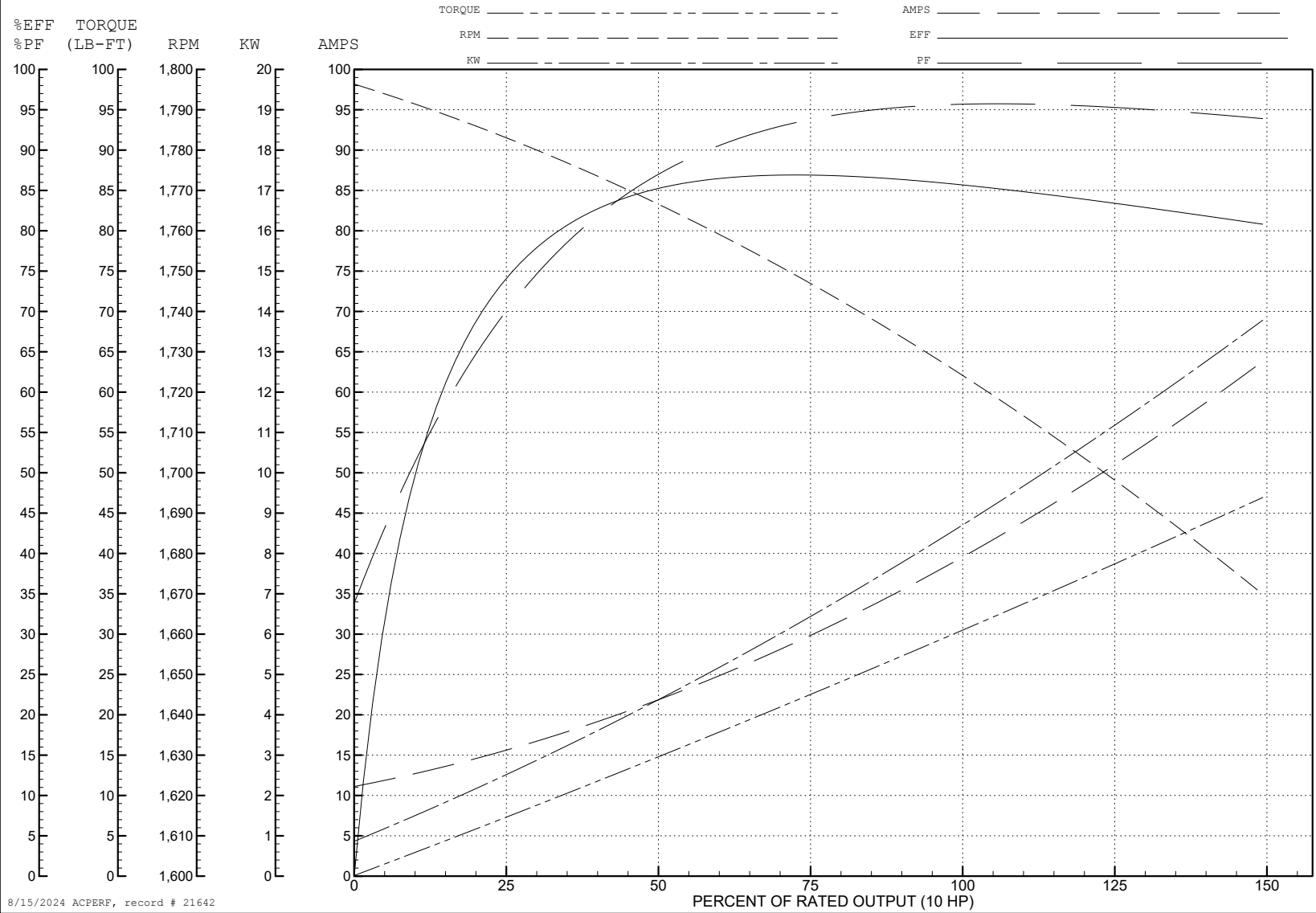
ABB Motors and Mechanical Inc.

WINDING # 37WGT913

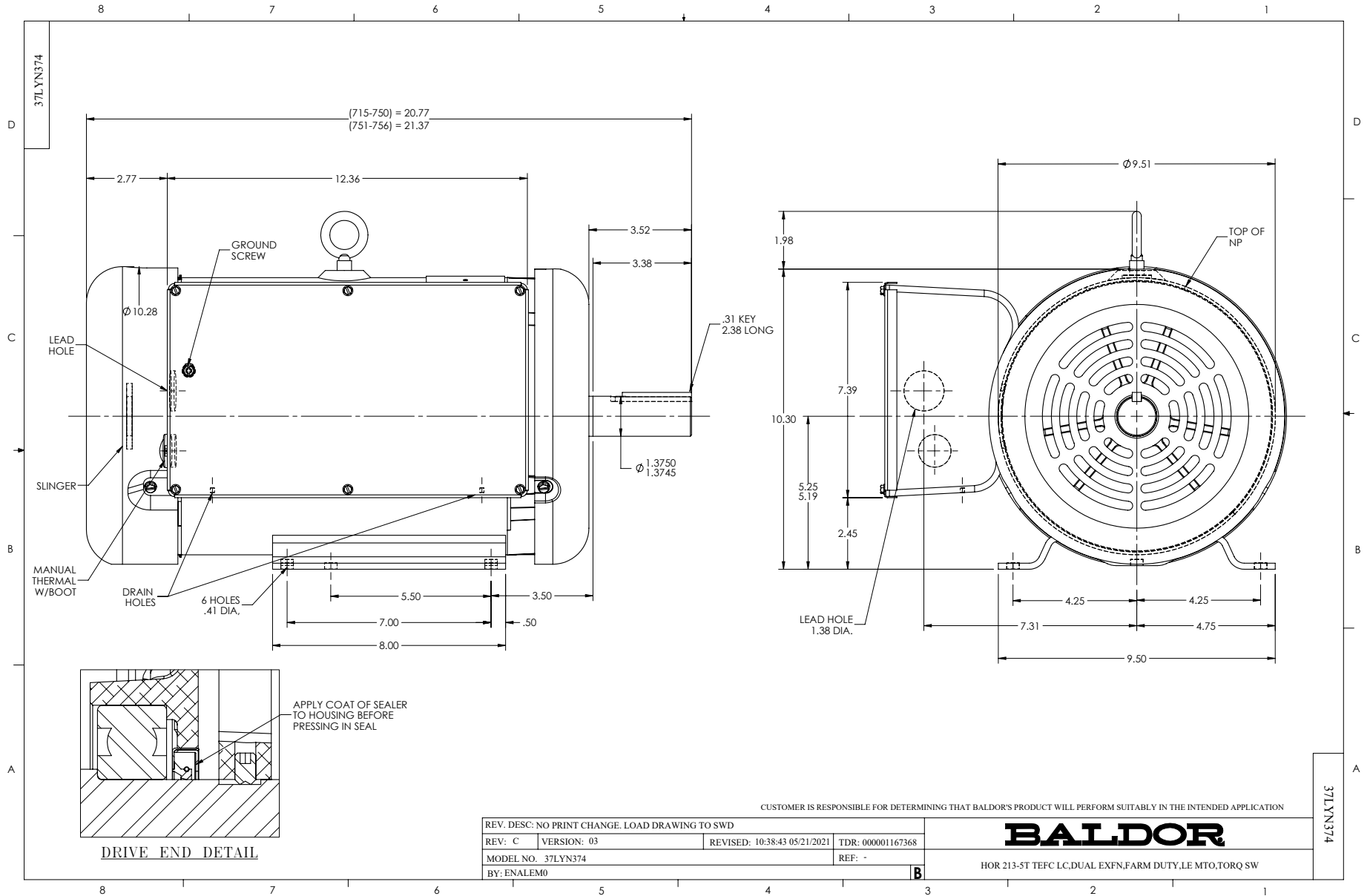
Typical performance - not guaranteed values.

10 HP 1 PH 60 HZ 1730 RPM 230 V 3752LC

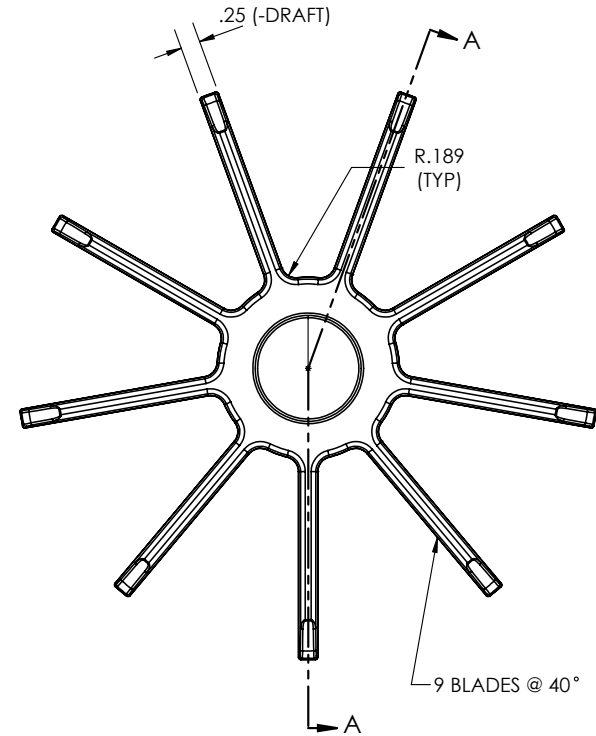
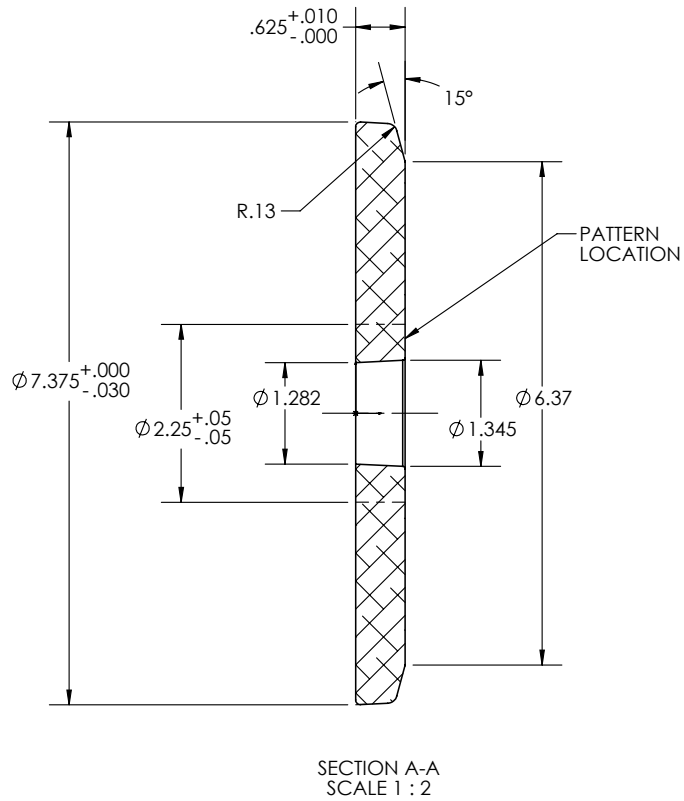
TORQUES (LB-FT): PO=86.2 PU=63.3 LR=125 LRA=300



8/15/2024 ACPERF, record # 21642



36FN3004



DIE CAST ALUMINUM TOLERANCES UNLESS OTHERWISE SPECIFIED		
2 PLCS	0-1" ±.010	R _L FLASH GROWTH ALLOWANCE .015"
3 PLCS	0-1" ±.004	
ABOVE 1" ±.001/INCH		ANGLES ±0.5°
UNSPECIFIED FEATURE DIMENSIONS:		
RADII = .03-.06		DRAFT ANGLES = 2.88°

WEIGHT = 9 OZ.

REV. DESC: INCREASE RADIUS AROUND HUB AREA			
REV: B	VERSION: 02	REVISED: 02:56:33 05/10/2017	TDR: 000001027912
36FN3004		MODEL NO. 36FN3004	REF: -
		BY: USFRHAR	Material: - DIE CAST ALUMINUM

BALDOR

FAN EXTERNAL 36 FRAME - EXPLOSION PROOF DIE CAST

36FN3004

CD0152

