

BALDOR • RELIANCE

Customer information packet

FDL3510TM

1HP, 1740RPM, 1PH, 60HZ, 143T, 3524L, TEFC, F1

Class - None

Division - Not Applicable

Specifications

Enclosure	TEFC
Frame	143T
Frame Material	Steel
Frequency	60.00 Hz
Haz Area Class and Group	None
Haz Area Division	Not Applicable
Motor Letter Type	Cap Start, Induction Run
Output @ Frequency	1.000 HP @ 60 HZ
Phase	1
Synchronous Speed @ Frequency	1800 RPM @ 60 HZ
Voltage @ Frequency	115.0 V @ 60 HZ 230.0 V @ 60 HZ
Agency Approvals	C UR US
Ambient Temperature	40 °C
Auxillary Box	No Auxillary Box
Auxillary Box Lead Termination	None
Base Indicator	Rigid
Bearing Grease Type	Polyrex EM (-20F +300F)
Blower	None
Current @ Voltage	12.600 A @ 115.0 V 6.300 A @ 230.0 V
Design Code	L
Drip Cover	No Drip Cover
Duty Rating	CONT
Efficiency @ 100% Load	68.0 %
Electrically Isolated Bearing	Not Electrically Isolated
Feedback Device	NO FEEDBACK
Front Shaft Indicator	None
Heater Indicator	No Heater
High Voltage Full Load Amps	6.3 a
Insulation Class	F
Inverter Code	Not Inverter

Part detail

Revision	C
Type	AC
Mech. spec.	35E2360
Base	
Status	PRD/A
Elec. spec.	35WGG385
Layout	35LYE2360
Eff. date	11-06-2024
CD Diagram	CD0269
Poles	04
Leads	6#18,1#14 #4TH Y
Proprietary	False
Created date	02-23-2023

KVA Code	L
Lifting Lugs	No Lifting Lugs
Locked Bearing Indicator	No Locked Bearing
Motor Lead Quantity/Wire Size	6 @ 18 AWG
Motor Lead Termination	Flying Leads
Motor Standards	NEMA
Motor Type	3524L
Mounting Arrangement	F1
Number of Poles	4
Overall Length	13.29 IN
Power Factor	74
Product Family	General Purpose
Pulley End Bearing Type	Sealed Bearing
Pulley Face Code	Standard
Pulley Shaft Indicator	Standard
Rodent Screen	None
Service Factor	1.15
Shaft Diameter	0.875 IN
Shaft Ground Indicator	No Shaft Grounding
Shaft Rotation	Reversible
Shaft Slinger Indicator	Shaft Slinger
Speed	1740 rpm
Speed Code	Single Speed
Starting Method	Direct on line
Thermal Device - Bearing	None
Thermal Device - Winding	None
Vibration Sensor Indicator	No Vibration Sensor
Winding Thermal 1	Manual Thermal Overload
Winding Thermal 1 Location	KO
Winding Thermal 2	None

Nameplate

NP1280L									
CAT.NO.	FDL3510TM								
SPEC.	35E2360G385G1								
HP	1								
VOLTS	115/230								
AMP	12.6/6.3								
RPM	1740								
FRAME	143T	HZ	60	PH	1				
SER.F.	1.15	CODE	L	DES	L	CL	F		
NEMA-NOM-EFF	68	PF	74						
RATING	40C AMB-CONT								
CC									
DE	6205	ODE	6203						
ENCL	TEFC	SN							

Accessories

Part number	Description	Multiplier
35-3300FD	C FACE KIT FARM DUTY 143-5TC ENCL, 6205	A8
35EP1506A01SP	D-FLANGE KIT	A8

AC Induction Motor Performance Data

Record # 108283

Typical performance - not guaranteed values

Winding: 35WGG385-R001		Type: 3524L		Enclosure: TEFC	
Nameplate Data			230 V, 60 Hz: High Voltage Connection		
Rated Output (HP)		1	Full Load Torque		3.019 LB-FT
Volts		115/230	Start Configuration		direct on line
Full Load Amps		13/6.5	Breakdown Torque		8.54 LB-FT
R.P.M.		1725	Pull-up Torque		5.27 LB-FT
Hz	60 Phase	1	Locked-rotor Torque		8.18 LB-FT
NEMA Design Code	L KVA Code	K	Starting Current		39.3 A
Service Factor (S.F.)		1.15	No-load Current		4.41 A
NEMA Nom. Eff.	70 Power Factor	69	Line-line Res. @ 25°C		2.9123 Ω A Ph 2.3517 Ω B Ph
Rating - Duty		40C AMB-CONT	Temp. Rise @ Rated Load		

Load Characteristics 230 V, 60 Hz, 1 HP

% of Rated Load	25	50	75	100	125	150	S.F.
Power Factor	38	53	66	74	80	84	78
Efficiency	50.9	64	68.9	69.6	67.9	64.4	68.6
Speed	1783.6	1771.8	1757.4	1741.9	1721.6	1695.1	1730
Line amperes	4.44	4.81	5.47	6.29	7.41	8.78	6.96

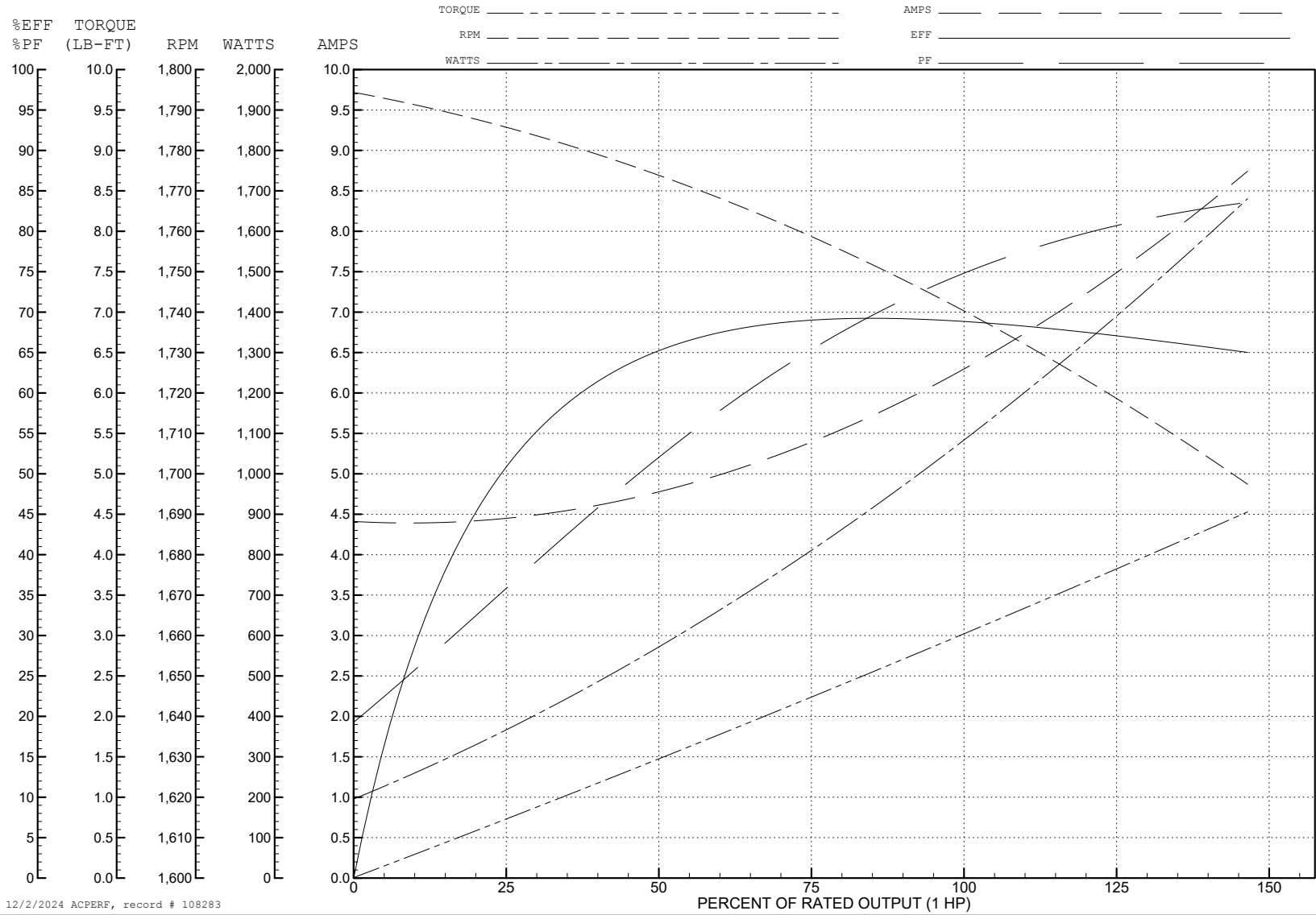
ABB Motors and Mechanical Inc.

WINDING # 35WGG385

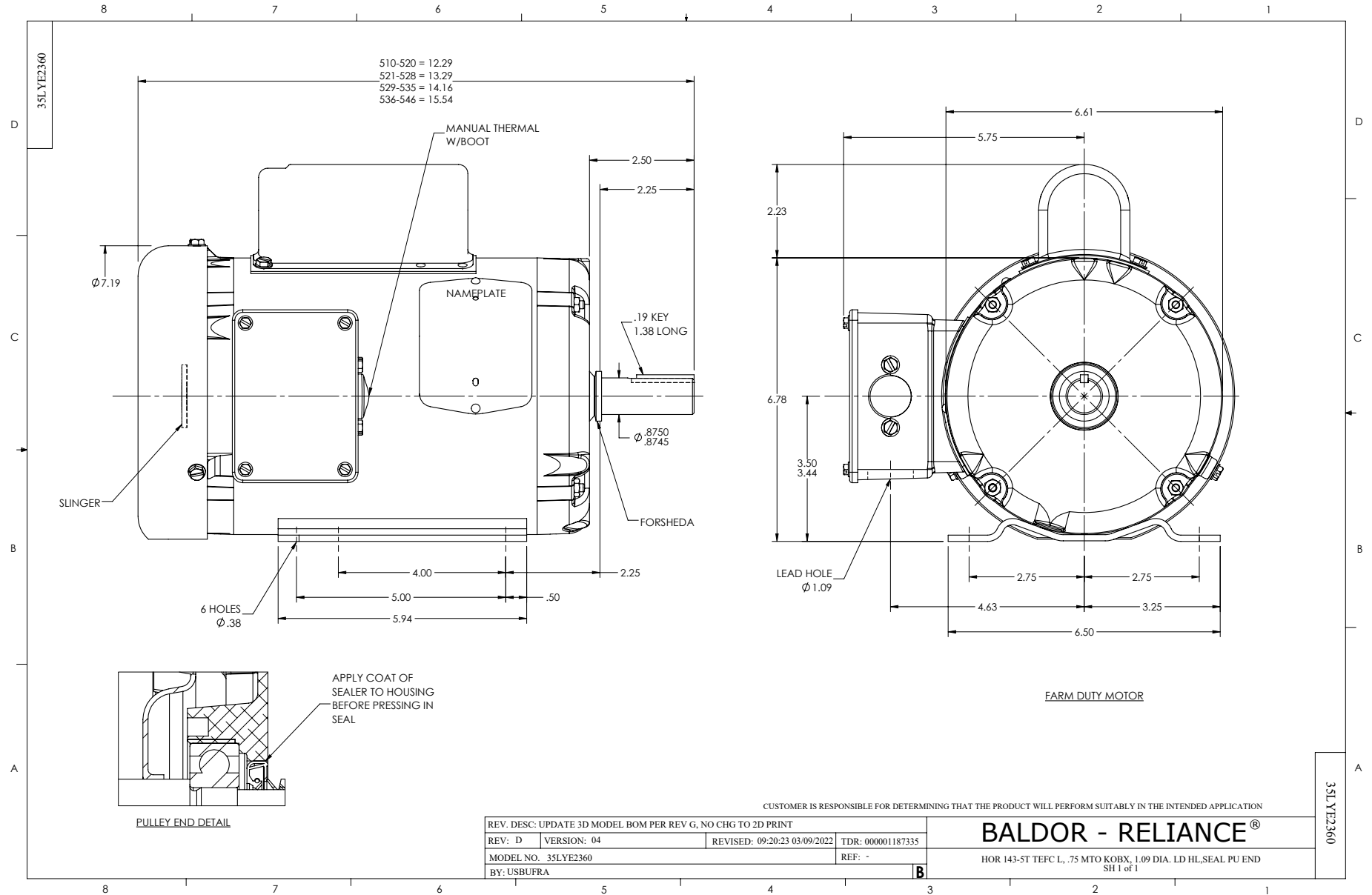
Typical performance - not guaranteed values.

1 HP 1 PH 60 HZ 1725 RPM 230 V 3524L

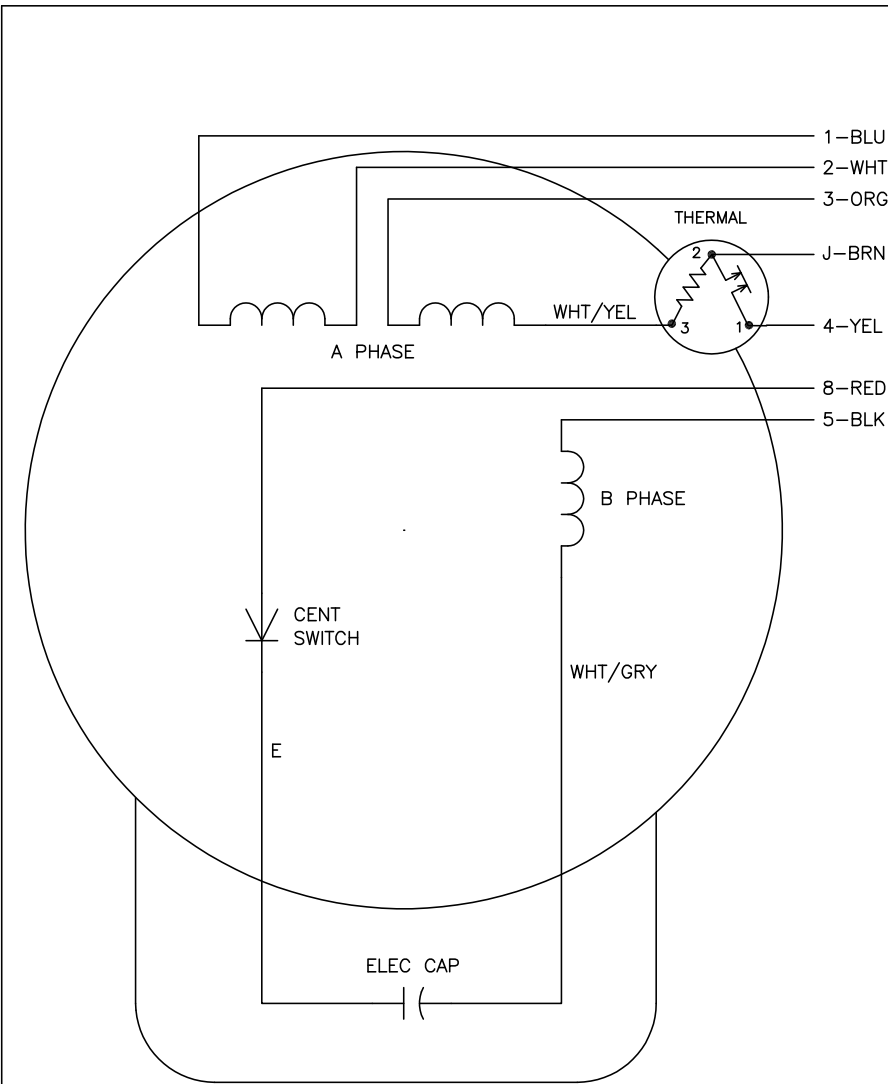
TORQUES (LB-FT): PO=8.54 PU=5.27 LR=8.18 LRA=39.3



12/2/2024 ACPERF, record # 108283



CD0269



	LINE A	LINE B	JOIN	JOIN
HIGH STD	1,8	4	2,3,5	J
HIGH OPP	1,5	4	2,3,8	J
LOW STD	1,3,8	4	-	2,J,5
LOW OPP	1,3,5	4	-	2,J,8

NOTES:

1. STANDARD ROTATION IS CCW FACING END OPPOSITE SHAFT EXTENSION.
2. MULTIPLE CAPACITORS ARE CONNECTED IN PARALLEL UNLESS OTHERWISE SPECIFIED.
3. LEAD COLORS ARE OPTIONAL. LEADS MUST ALWAYS BE NUMBERED AS SHOWN.

CD0269

REV. DESC: REVISE TO SHOW OPTIONAL COLORS			
REV. LTR: E	BY: JLP	REVISED: 04/08/99 1:07	TDR: 0178636
69Z0C0		FILE: AAA00007421	MDL: -
		MTL: -	

BALDOR ELECTRIC Co.

TYPE L, DV, REV, THERMAL, B PH AMPS THRU HTR HVC, 7 LEAD