



Customer information packet

FDEM3714T-5

10HP, 1770RPM, 3PH, 60HZ, 215T, 3752M, TEFC, F1

Class - None

Division - Not Applicable

Specifications

Enclosure	TEFC
Frame	215T
Frame Material	Steel
Frequency	60.00 Hz
Haz Area Class and Group	None
Haz Area Division	Not Applicable
Motor Letter Type	Three Phase
Output @ Frequency	10.000 HP @ 60 HZ
Phase	3
Synchronous Speed @ Frequency	1800 RPM @ 60 HZ
Voltage @ Frequency	575.0 V @ 60 HZ
Agency Approvals	CSA EEV NEMA PREMIUM NEMA_PREMIUM UR
Ambient Temperature	40 °C
Auxillary Box	No Auxillary Box
Auxillary Box Lead Termination	None
Base Indicator	Rigid
Bearing Grease Type	Polyrex EM (-20F +300F)
Blower	None
Current @ Voltage	10.000 A @ 575.0 V
Design Code	A
Drip Cover	No Drip Cover
Duty Rating	CONT
Efficiency @ 100% Load	92.4 %
Electrically Isolated Bearing	Not Electrically Isolated
Feedback Device	NO FEEDBACK
Front Shaft Indicator	None
Heater Indicator	No Heater
High Voltage Full Load Amps	10.0 a
Insulation Class	F

Part detail

Revision	E
Type	AC
Mech. spec.	37N377
Base	
Status	PRD/A
Elec. spec.	37WGT931
Layout	37LYN377
Eff. date	11-27-2024
CD Diagram	CD0006
Poles	04
Leads	3#14
Proprietary	False
Created date	06-12-2018

Inverter Code	Not Inverter
KVA Code	J
Lifting Lugs	Standard Lifting Lugs
Locked Bearing Indicator	No Locked Bearing
Motor Lead Quantity/Wire Size	3 @ 14 AWG
Motor Lead Termination	Flying Leads
Motor Standards	NEMA
Motor Type	3752M
Mounting Arrangement	F1
Number of Poles	4
Overall Length	20.52 IN
Power Factor	82
Product Family	General Purpose
Pulley End Bearing Type	Sealed Bearing
Pulley Face Code	Standard
Pulley Shaft Indicator	Standard
Rodent Screen	None
RoHS Status	ROHS COMPLIANT
Service Factor	1.15
Shaft Diameter	1.375 IN
Shaft Ground Indicator	No Shaft Grounding
Shaft Rotation	Reversible
Shaft Slinger Indicator	Shaft Slinger
Speed	1770 rpm
Speed Code	Single Speed
Starting Method	Direct on line
Thermal Device - Bearing	None
Thermal Device - Winding	None
Vibration Sensor Indicator	No Vibration Sensor
Winding Thermal 1	None
Winding Thermal 2	None

Nameplate

NP3126L									
CAT.NO.	FDEM3714T-5								
SPEC.	37N377T931G1								
HP	10								
VOLTS	575								
AMP	10								
RPM	1770								
FRAME	215T		HZ	60		PH	3		
SER.F.	1.15	CODE	J	DES	A	CL	F		
NEMA-NOM-EFF	92.4	PF	82						
RATING	40C AMB-CONT								
CC	010A								
DE	6307	ODE	6206						
ENCL	TEFC	SN							
	IP44								

AC Induction Motor Performance Data

Record # 26662

Typical performance - not guaranteed values

Winding: 37WGT931-R001		Type: 3752M		Enclosure: TEFC			
Nameplate Data			575 V, 60 Hz: Single Voltage Motor				
Rated Output (HP)	10	Full Load Torque	29.9 LB-FT				
Volts	575	Start Configuration	direct on line				
Full Load Amps	10	Breakdown Torque	83.7 LB-FT				
R.P.M.	1770	Pull-up Torque	49.7 LB-FT				
Hz	60 Phase	3	Locked-rotor Torque	56.6 LB-FT			
NEMA Design Code	A	KVA Code	J	Starting Current	73.2 A		
Service Factor (S.F.)	1.15		No-load Current	4.01 A			
NEMA Nom. Eff.	92.4	Power Factor	82	Line-line Res. @ 25°C	1.41 Ω		
Rating - Duty	40C AMB-CONT		Temp. Rise @ Rated Load	66°C			
S.F. Amps			Temp. Rise @ S.F. Load	81°C			
			Locked-rotor Power Factor	35			
			Rotor inertia	1.28 LB-FT ²			

Load Characteristics 575 V, 60 Hz, 10 HP

% of Rated Load	25	50	75	100	125	150	S.F.
Power Factor	45	68	78	82	84	85	83
Efficiency	88.2	91.7	92.3	92	91.2	90.1	91.5
Speed	1791	1784	1776	1766	1758	1747	1761
Line amperes	4.58	5.93	7.83	9.95	12.2	14.6	11.3

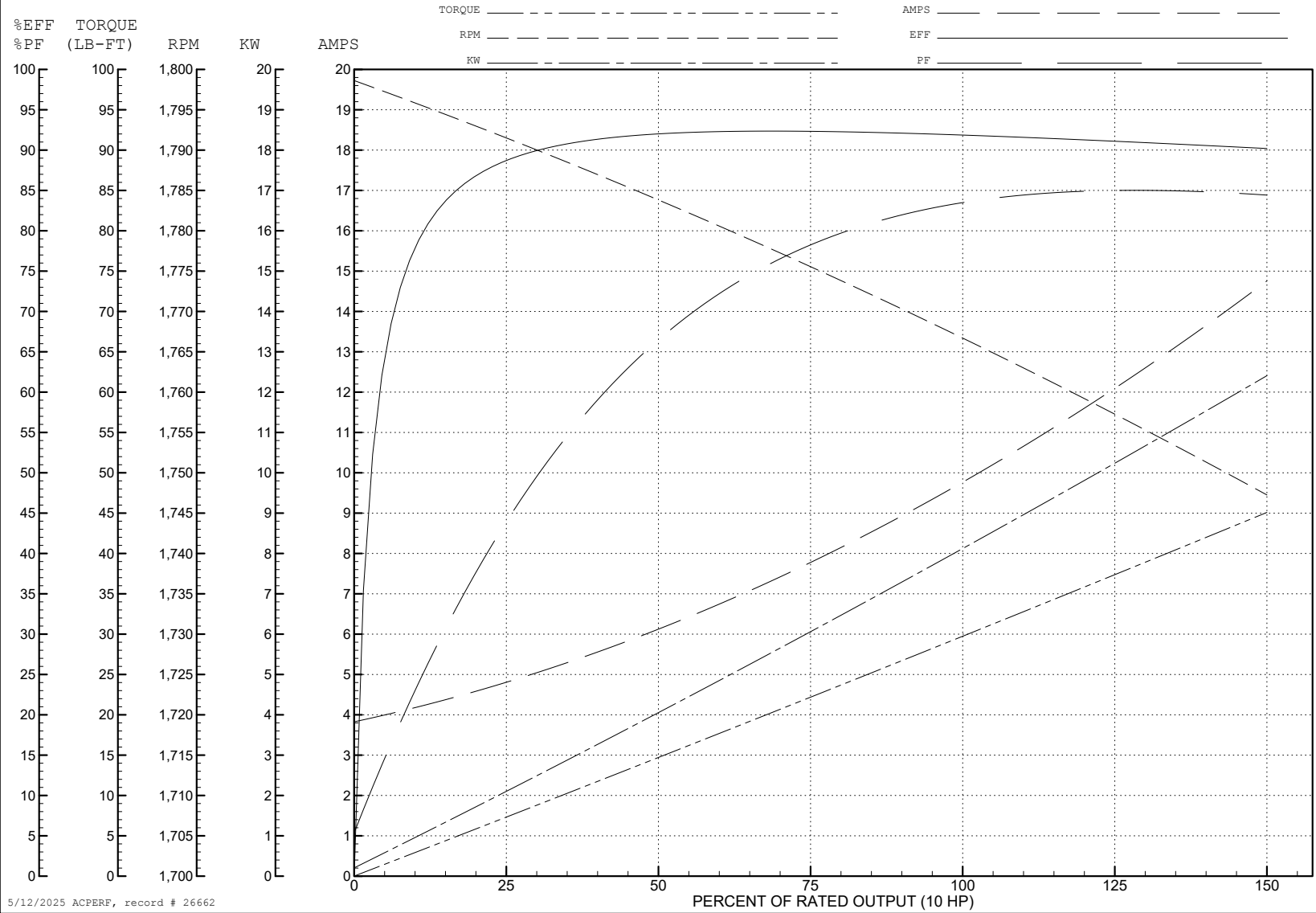
ABB Motors and Mechanical Inc.

WINDING # 37WGT931

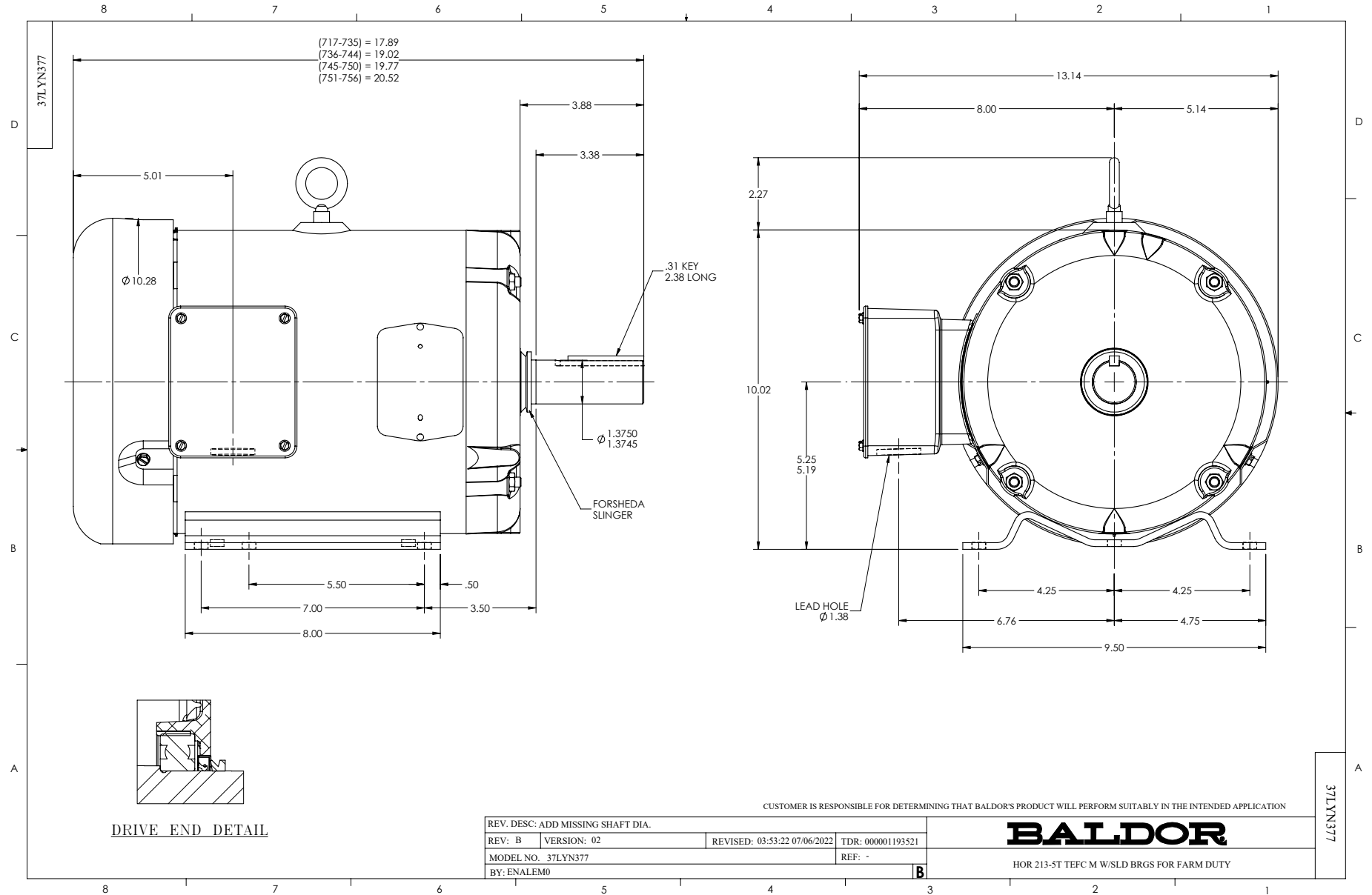
Typical performance - not guaranteed values.

10 HP 3 PH 60 HZ 1770 RPM 575 V 3752M

TORQUES (LB-FT): PO=83.7 PU=49.7 LR=56.6 LRA=73.2



5/12/2025 ACPERF, record # 26662



CUSTOMER IS RESPONSIBLE FOR DETERMINING THAT BALDOR'S PRODUCT WILL PERFORM SUITABLY IN THE INTENDED APPLICATION

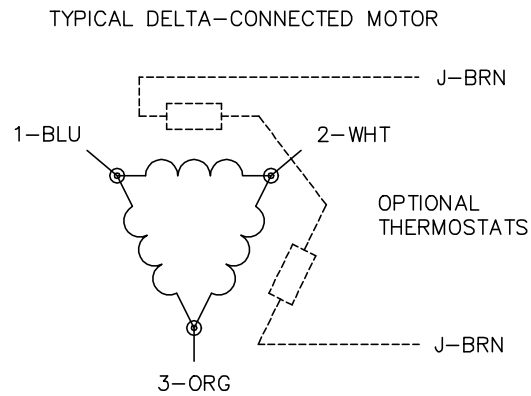
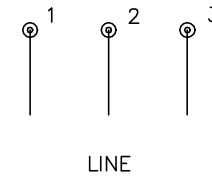
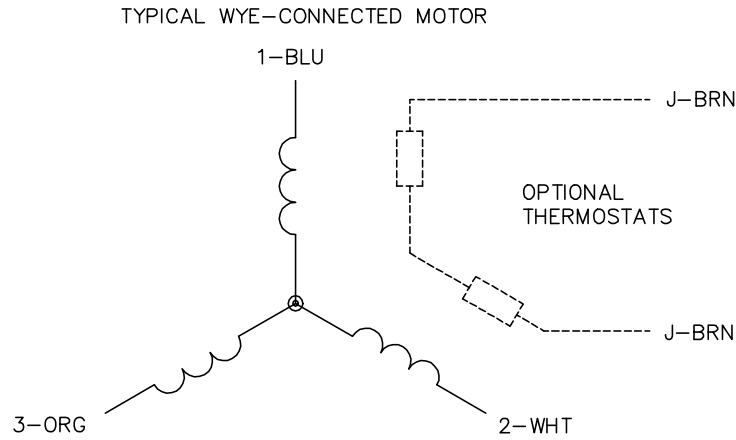
REV. DESC: ADD MISSING SHAFT DIA.			
REV: B	VERSION: 02	REVISED: 03:53:22 07/06/2022	TDR: 000001193521
MODEL NO. 37LYN377		REF: -	
BY: ENALEM0			

BALDOR

HOR 213-ST TEFC M W/SLD BRGS FOR FARM DUTY

37LYN377

CD0006



NOTES:

1. THREE LEAD MOTOR MAY BE EITHER WYE CONNECTED OR DELTA CONNECTED.
2. INTERCHANGE ANY TWO LINE LEADS TO REVERSE ROTATION.
3. OPTIONAL THERMOSTATS ARE PROVIDED WHEN SPECIFIED.
4. ACTUAL NUMBER OF INTERNAL PARALLEL CIRCUITS MAY VARY.
5. LEAD COLORS ARE OPTIONAL. LEADS MUST BE NUMBERED AS SHOWN.

CD0006

REV. DESC: ADD CLASS CONN00000007		
REV. LTR: E	VERSION: 01	TDR: 000001099922
FILE: \AAA\00005\141	REVISED: 10:24:49 02/19/2019	BY: ENBRIRO
MTL: -	© □	

BALDOR - RELIANCE®

3PH, SV, 3 LEADS, WYE OR DELTA CONNECTED

SH 1 of 1