

ABB BALDOR RELIANCE III

Customer information packet

FDEM3711T-5

10HP, 3490RPM, 3PH, 60HZ, 215T, 3728M, TEFC, F1

Class - None

Division - Not Applicable

Specifications

Enclosure	TEFC
Frame	215T
Frame Material	Steel
Frequency	60.00 Hz
Haz Area Class and Group	None
Haz Area Division	Not Applicable
Motor Letter Type	Three Phase
Output @ Frequency	10.000 HP @ 60 HZ
Phase	3
Synchronous Speed @ Frequency	3600 RPM @ 60 HZ
Voltage @ Frequency	575.0 V @ 60 HZ
Agency Approvals	NEMA PREMIUM CURUSEEV
Ambient Temperature	40 °C
Auxiliary Box	NO AUXILLARY BOX
Auxiliary Box Lead Termination	None
Base Indicator	Rigid
Bearing Grease Type	Polyrex EM (-20F +300F)
Blower	None
Current @ Voltage	9.500 A @ 575.0 V
Design Code	B
Drip Cover	No Drip Cover
Duty Rating	CONT
Efficiency @ 100% Load	90.2 %
Electrically Isolated Bearing	Not Electrically Isolated
Feedback Device	NO FEEDBACK
Front Shaft Indicator	None
Heater Indicator	No Heater
High Voltage Full Load Amps	9.5 a
Insulation Class	F
Inverter Code	Inverter Ready
KVA Code	G

Part Detail

Revision	E
Type	AC
Mech. spec.	37N377
Base	
Status	PRD/A
Elec. spec.	37WGR021
Layout	37LYN377
Eff. date	11-27-2024
CD Diagram	CD0006
Poles	02
Leads	3#14
Proprietary	False
Created date	06-12-2018

Lifting Lugs	Standard Lifting Lugs
Locked Bearing Indicator	No Locked Bearing
Motor Lead Quantity/Wire Size	3 @ 14 AWG
Motor Lead Termination	Flying Leads
Motor Standards	NEMA
Motor Type	3728M
Mounting Arrangement	F1
Number of Poles	2
Overall Length	17.89 IN
Power Factor	87
Product Family	General Purpose
Pulley End Bearing Type	Sealed Bearing
Pulley Face Code	Standard
Pulley Shaft Indicator	Standard
Rodent Screen	None
RoHS Status	ROHS COMPLIANT
Service Factor	1.15
Shaft Diameter	1.375 IN
Shaft Ground Indicator	No Shaft Grounding
Shaft Rotation	Reversible
Shaft Slinger Indicator	Shaft Slinger
Speed	3490 rpm
Speed Code	Single Speed
Starting Method	Direct on line
Thermal Device - Bearing	None
Thermal Device - Winding	None
Vibration Sensor Indicator	No Vibration Sensor
Winding Thermal 1	None
Winding Thermal 2	None

Nameplate

NP3126L									
CAT.NO.	FDEM3711T-5								
SPEC.	37N377R021G2								
HP	10								
VOLTS	575								
AMP	9.5								
RPM	3490								
FRAME	215T	HZ	60			PH	3		
SER.F.	1.15	CODE	G	DES	B	CL	F		
NEMA-NOM-EFF	90.2	PF	87						
RATING	40C AMB-CONT								
CC	010A								
DE	6307	ODE	6206						
ENCL	TEFC	SN							
	IP44								

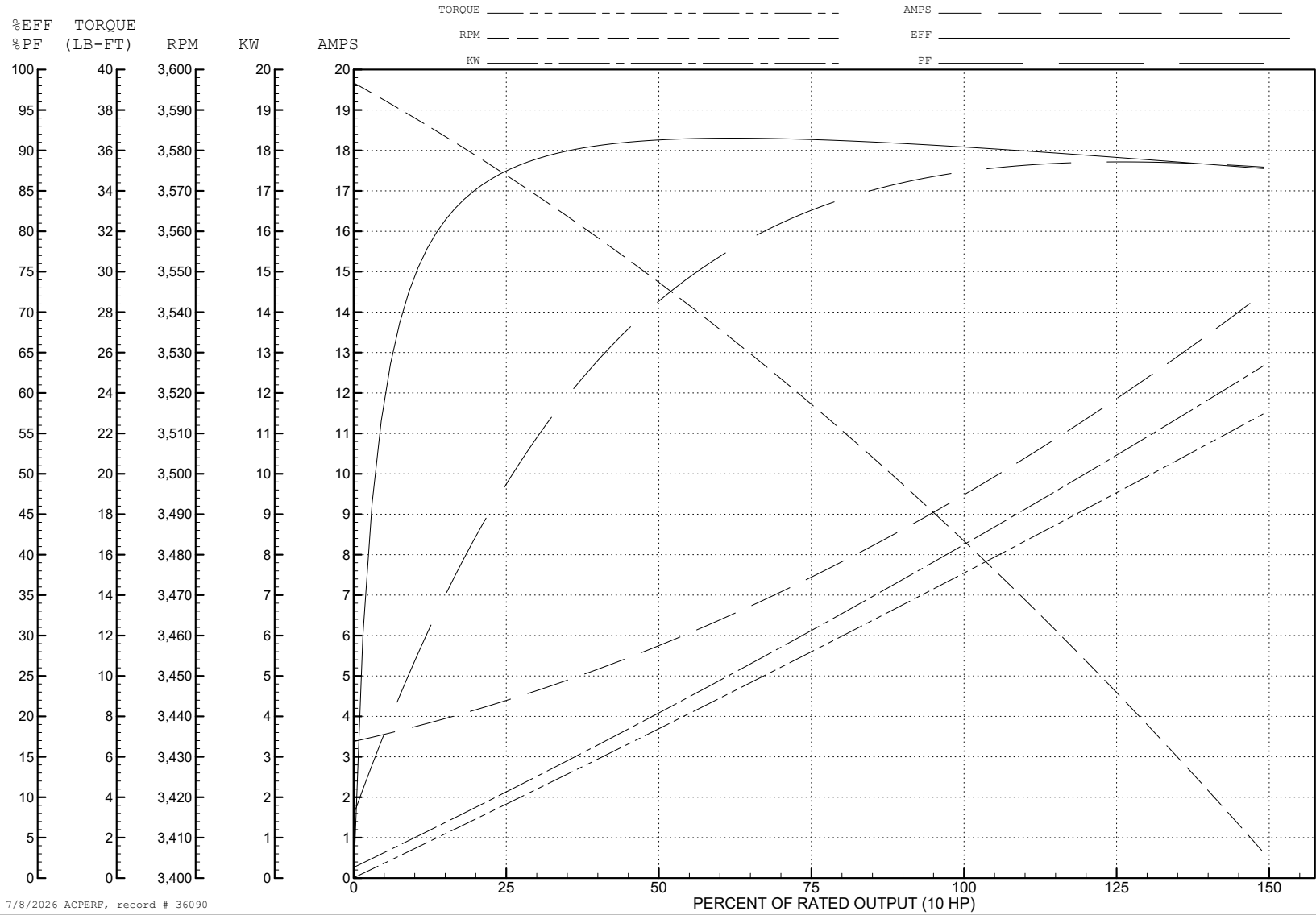
ABB Motors and Mechanical Inc.

WINDING # 37WGR021

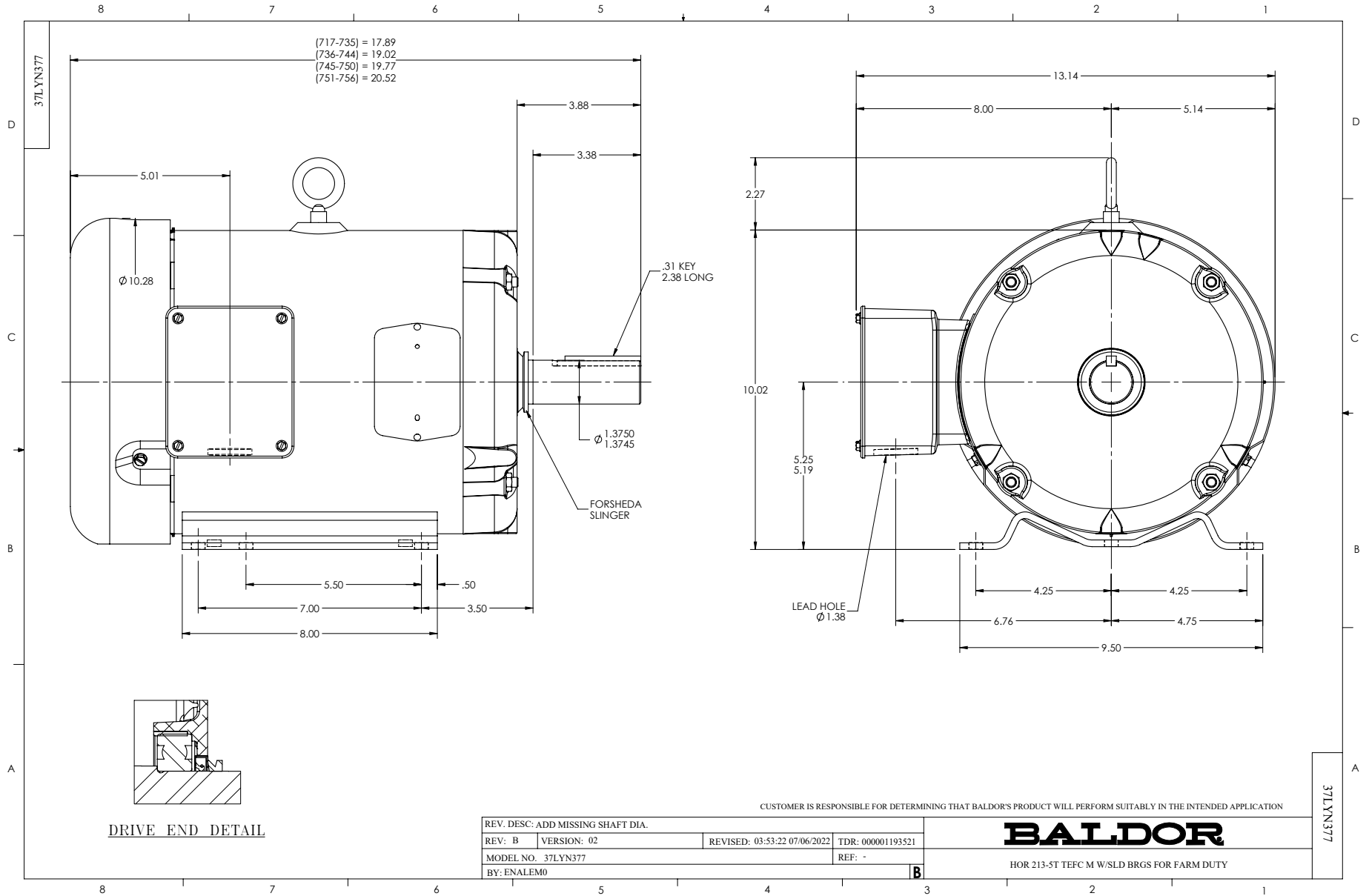
Typical performance - not guaranteed values.

10 HP 3 PH 60 HZ 3490 RPM 575 V 3728M

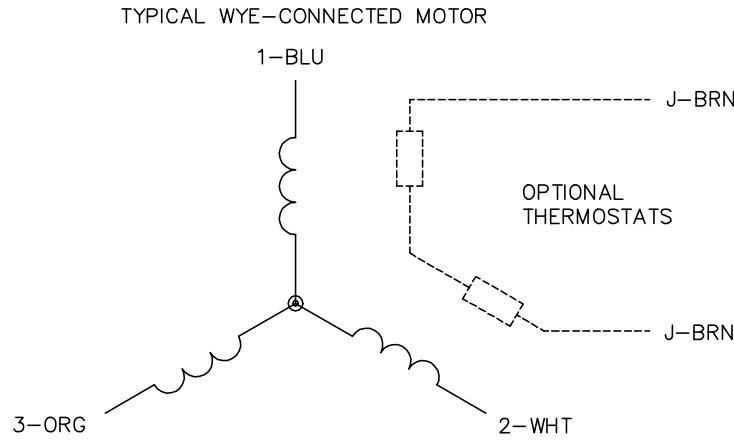
TORQUES (LB-FT): PO=47.2 PU=22.7 LR=26.4 LRA=62.9



7/8/2026 ACPERF, record # 36090



CD0006



NOTES:

1. THREE LEAD MOTOR MAY BE EITHER WYE CONNECTED OR DELTA CONNECTED.
2. INTERCHANGE ANY TWO LINE LEADS TO REVERSE ROTATION.
3. OPTIONAL THERMOSTATS ARE PROVIDED WHEN SPECIFIED.
4. ACTUAL NUMBER OF INTERNAL PARALLEL CIRCUITS MAY VARY.
5. LEAD COLORS ARE OPTIONAL. LEADS MUST BE NUMBERED AS SHOWN.

CD0006

REV. DESC: ADD CLASS CONN00000007		
REV. LTR: E	VERSION: 01	TDR: 000001099922
FILE: \AAA\00005\141	REVISED: 10:24:49 02/19/2019	BY: ENBRIRO
MTL: -		© □

BALDOR - RELIANCE®

3PH, SV, 3 LEADS, WYE OR DELTA CONNECTED

SH 1 of 1