



Customer information packet

FDEM3709T

7.5HP, 3520RPM, 3PH, 60HZ, 213T, 3728M, TEFC, F

Class - None

Division - Not Applicable

Specifications

| | |
|--------------------------------|---------------------------|
| Enclosure | TEFC |
| Frame | 213T |
| Frame Material | Steel |
| Frequency | 60.00 Hz |
| Motor Letter Type | Three Phase |
| Output @ Frequency | 7.500 HP @ 60 HZ |
| Phase | 3 |
| Synchronous Speed @ Frequency | 3600 RPM @ 60 HZ |
| Voltage @ Frequency | 230.0 V @ 60 HZ |
| | 460.0 V @ 60 HZ |
| XP Class and Group | None |
| XP Division | Not Applicable |
| Agency Approvals | CSA |
| | CSA EEV |
| | NEMA PREMIUM |
| | UR |
| Ambient Temperature | 40 °C |
| Auxillary Box | No Auxillary Box |
| Auxillary Box Lead Termination | None |
| Base Indicator | Rigid |
| Bearing Grease Type | Polyrex EM (-20F +300F) |
| Blower | None |
| Current @ Voltage | 9.000 A @ 460.0 V |
| | 19.000 A @ 208.0 V |
| | 18.000 A @ 230.0 V |
| Design Code | A |
| Drip Cover | No Drip Cover |
| Duty Rating | CONT |
| Efficiency @ 100% Load | 89.5 % |
| Electrically Isolated Bearing | Not Electrically Isolated |
| Feedback Device | NO FEEDBACK |
| Front Shaft Indicator | None |

Part detail

| | |
|--------------|------------|
| Revision | C |
| Type | AC |
| Mech. spec. | 37N377 |
| Base | |
| Status | PRD/A |
| Elec. spec. | 37WGL869 |
| Layout | 37LYN377 |
| Eff. date | 01-20-2023 |
| CD Diagram | CD0005 |
| Poles | 02 |
| Leads | 9#14 |
| Proprietary | False |
| Created date | 01-28-2021 |

| | |
|-------------------------------|-----------------------|
| Heater Indicator | No Heater |
| High Voltage Full Load Amps | 9.0 a |
| Insulation Class | F |
| Inverter Code | Inverter Ready |
| KVA Code | J |
| Lifting Lugs | Standard Lifting Lugs |
| Locked Bearing Indicator | No Locked Bearing |
| Motor Lead Quantity/Wire Size | 9 @ 14 AWG |
| Motor Lead Termination | Flying Leads |
| Motor Standards | NEMA |
| Motor Type | 3728M |
| Mounting Arrangement | F1 |
| Number of Poles | 2 |
| Overall Length | 17.89 IN |
| Power Factor | 84 |
| Product Family | General Purpose |
| Pulley End Bearing Type | Sealed Bearing |
| Pulley Face Code | Standard |
| Pulley Shaft Indicator | Standard |
| Rodent Screen | None |
| Service Factor | 1.15 |
| Shaft Diameter | 1.375 IN |
| Shaft Ground Indicator | No Shaft Grounding |
| Shaft Rotation | Reversible |
| Shaft Slinger Indicator | Shaft Slinger |
| Speed | 3520 rpm |
| Speed Code | Single Speed |
| Starting Method | Direct on line |
| Thermal Device - Bearing | None |
| Thermal Device - Winding | None |
| Vibration Sensor Indicator | No Vibration Sensor |
| Winding Thermal 1 | None |
| Winding Thermal 2 | None |

Nameplate

| NP3126L | | | | | | | | | |
|---------------------|--------------|-------------|-----------------------|------------|---|-----------|----|--|--|
| CAT.NO. | FDEM3709T | | | | | | | | |
| SPEC. | 37N377L869G1 | | | | | | | | |
| HP | 7.5 | | | | | | | | |
| VOLTS | 230/460 | | | | | | | | |
| AMP | 18/9 | | | | | | | | |
| RPM | 3520 | | | | | | | | |
| FRAME | 213T | | HZ | 60 | | PH | 3 | | |
| SER.F. | 1.15 | CODE | J | DES | A | CL | F | | |
| NEMA-NOM-EFF | 89.5 | PF | 84 | | | | | | |
| RATING | 40C AMB-CONT | | | | | | | | |
| CC | 010A | | USABLE AT 208V | | | | 19 | | |
| DE | 6307 | | ODE | 6206 | | | | | |
| ENCL | TEFC | SN | | | | | | | |
| | IP44 | | | | | | | | |

AC Induction Motor Performance Data

Record # 86805

Preliminary Data Sheet

| Winding: 37WGL869-R002 | | Type: 3728M | Enclosure: TEFC |
|------------------------|-------------------|--|--------------------------|
| Nameplate Data | | 460 V, 60 Hz: High Voltage Connection | |
| Rated Output (HP) | 7.5 | Full Load Torque | 11.2 LB-FT |
| Volts | 230/460 | Start Configuration | direct on line |
| Full Load Amps | 18/9 | Breakdown Torque | 40.3 LB-FT |
| R.P.M. | 3520 | Pull-up Torque | 19.7 LB-FT |
| Hz | 60 Phase | Locked-rotor Torque | 21.8 LB-FT |
| NEMA Design Code | A KVA Code | Starting Current | 68.4 A |
| Service Factor (S.F.) | 1.15 | No-load Current | 3.52 A |
| NEMA Nom. Eff. | 89.5 Power Factor | Line-line Res. @ 25°C | 1.19 Ω |
| Rating - Duty | 40C AMB-CONT | Temp. Rise @ Rated Load | 50°C |
| S.F. Amps | 20/10 | Temp. Rise @ S.F. Load | 63°C |
| | | Locked-rotor Power Factor | 38.1 |
| | | Rotor inertia | 0.255 lb-ft ² |

Load Characteristics 460 V, 60 Hz, 7.5 HP

| % of Rated Load | 25 | 50 | 75 | 100 | 125 | 150 | S.F. |
|-----------------|------|------|------|------|------|------|------|
| Power Factor | 49 | 71 | 81 | 86 | 88 | 89 | 87 |
| Efficiency | 83.9 | 89.7 | 91 | 90.9 | 90.2 | 89.2 | 90.3 |
| Speed | 3580 | 3560 | 3540 | 3518 | 3494 | 3468 | 3500 |
| Line amperes | 4.1 | 5.4 | 7.06 | 8.96 | 11 | 13.2 | 10.2 |

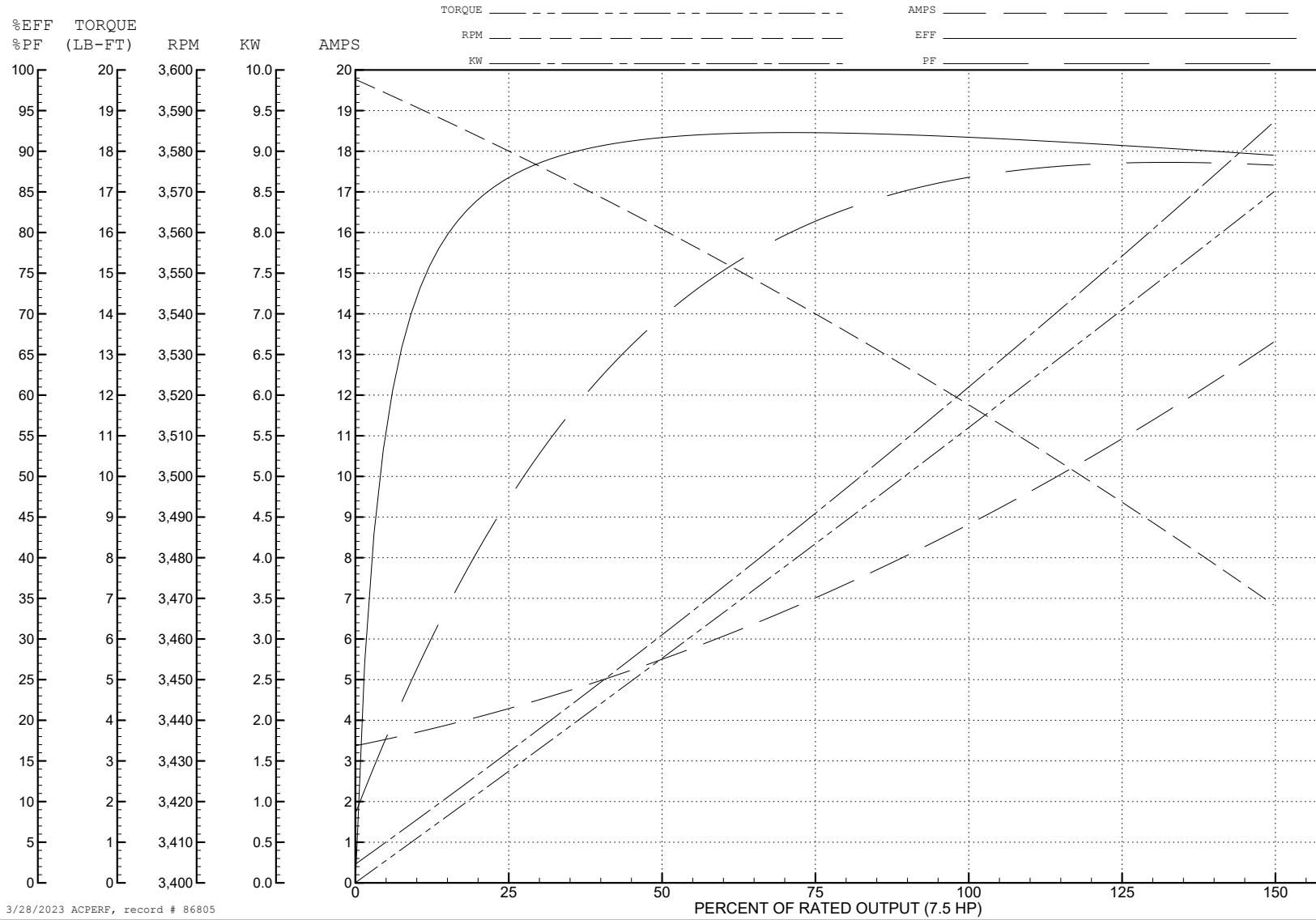
ABB Motors and Mechanical Inc.

WINDING # 37WGL869

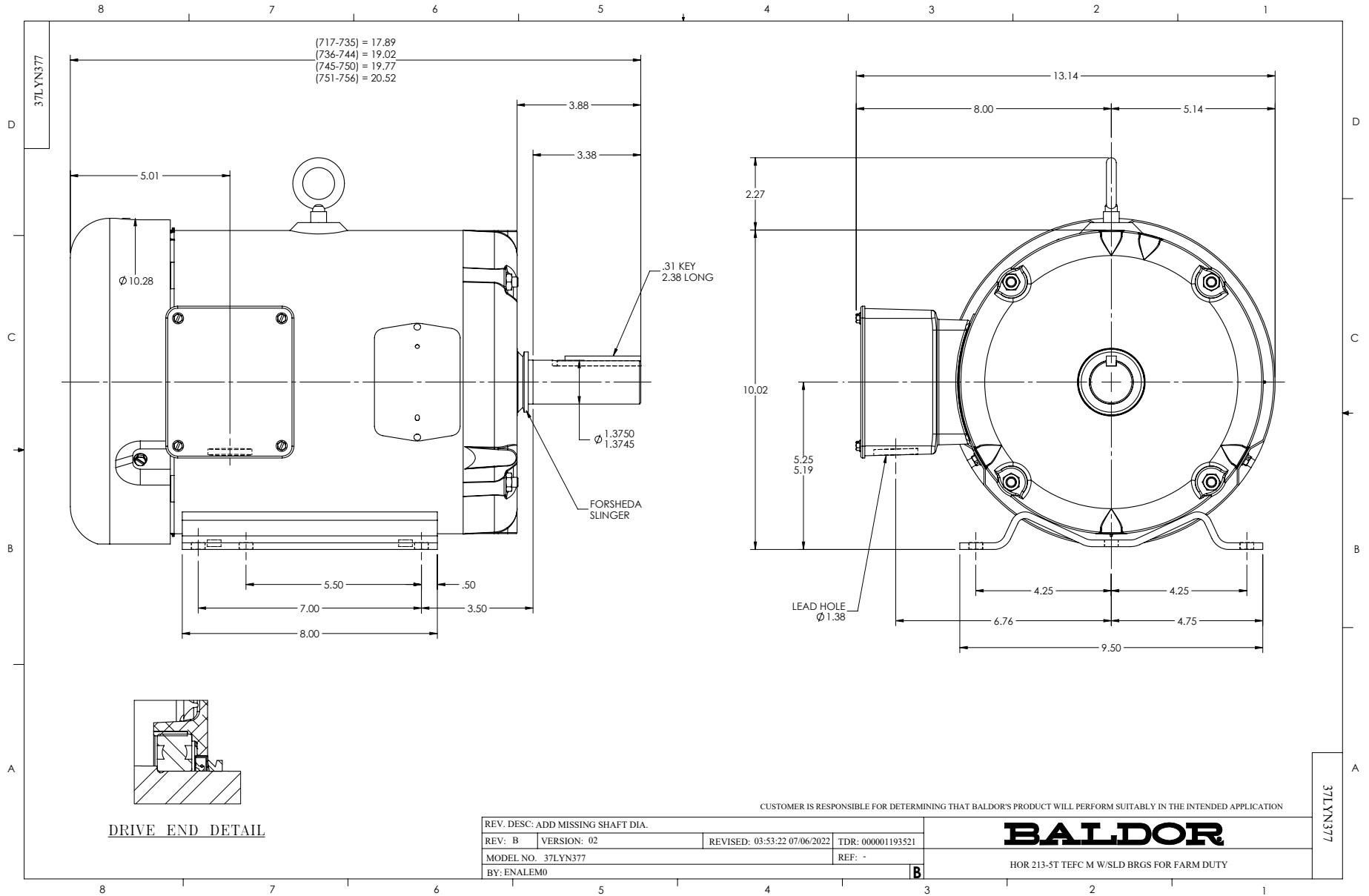
Typical performance - not guaranteed values.

7.5 HP 3 PH 60 HZ 3520 RPM 460 V 3728M

TORQUES (LB-FT): PO=40.3 PU=19.7 LR=21.8 LRA=68.4



3/28/2023 ACPERF, record # 86805



CUSTOMER IS RESPONSIBLE FOR DETERMINING THAT BALDOR'S PRODUCT WILL PERFORM SUITABLY IN THE INTENDED APPLICATION

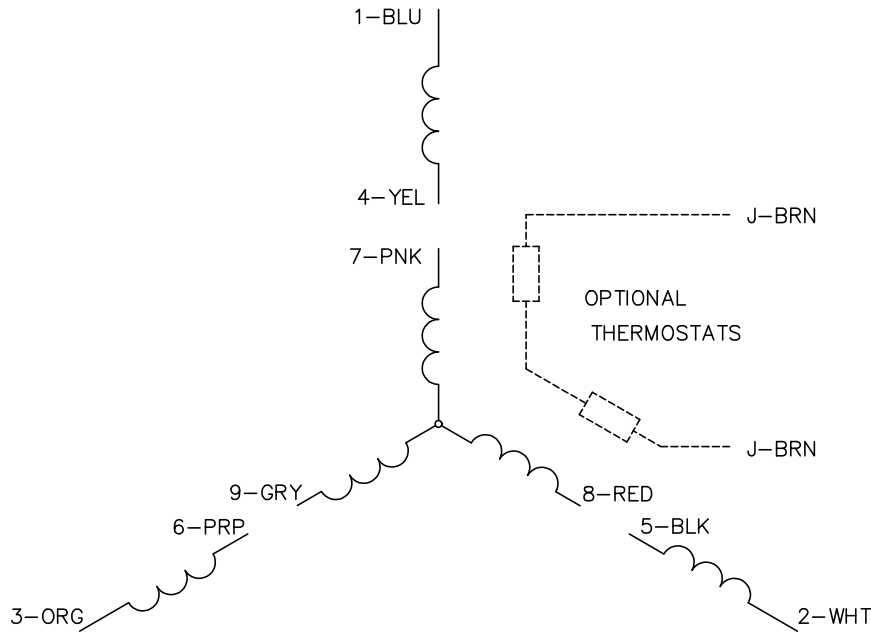
| | | | | |
|-----------------------------------|-------------|------------------------------|--|-------------------|
| REV. DESC: ADD MISSING SHAFT DIA. | | REVISED: 03:53:22 07/06/2022 | | TDR: 000001193521 |
| REV: B | VERSION: 02 | | | REF: - |
| MODEL NO. 37LYN377 | | | | |
| BY: ENALEM0 | | | | |

BALDOR

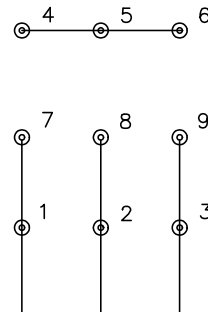
HOR 213-ST TEFC M W/SLD BRGS FOR FARM DUTY

37LYN377

CD0005

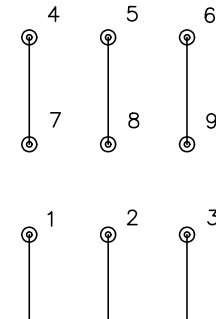


LOW VOLTAGE
(2Y)



LINE

HIGH VOLTAGE
(1Y)



LINE

NOTES:

1. INTERCHANGE ANY TWO LINE LEADS TO REVERSE ROTATION.
2. OPTIONAL THERMOSTATS ARE PROVIDED WHEN SPECIFIED.
3. ACTUAL NUMBER OF INTERNAL PARALLEL CIRCUITS MAY BE A MULTIPLE OF THOSE SHOWN ABOVE.
4. LEAD COLORS ARE OPTIONAL. LEADS MUST ALWAYS BE NUMBERED AS SHOWN.

CD0005

| | | | |
|---|---------|-------------------------|--------------|
| REV. DESC: REVISE TO SHOW OPTIONAL COLORS | | | |
| REV. LTR: E | BY: JLP | REVISED: 01/19/99 10:15 | TDR: 0171435 |
| S00000 | | FILE: AAA00005140 | MDL: - |
| | | MTL: - | |

BALDOR ELECTRIC Co.

3PH, DV, 9 LEADS