



---

# Customer information packet

## EWDM4348T

40HP, 890RPM, 3PH, 60HZ, 365T, A36062M, TEFC, F

Class - None

Division - Not Applicable

## Specifications

Enclosure	TEFC
Frame	365T
Frame Material	Iron
Frequency	60.00 Hz
Haz Area Class and Group	None
Haz Area Division	Not Applicable
Motor Letter Type	Three Phase
Output @ Frequency	40.000 HP @ 60 HZ
Phase	3
Synchronous Speed @ Frequency	900 RPM @ 60 HZ
Voltage @ Frequency	230.0 V @ 60 HZ 460.0 V @ 60 HZ
Agency Approvals	CSA EEV CCSA US
Ambient Temperature	40 °C
Auxillary Box	No Auxillary Box
Base Indicator	Rigid
Bearing Grease Type	Polyrex EM (-20F +300F)
Current @ Voltage	52.900 A @ 460.0 V 106.000 A @ 230.0 V
Design Code	B
Drip Cover	No Drip Cover
Duty Rating	CONT
Efficiency @ 100% Load	91.7 %
Enclosure Modification	Severe Duty Features
Feedback Device	NO FEEDBACK
Heater Indicator	No Heater
High Voltage Full Load Amps	52.9 a
Insulation Class	F
Inverter Code	Inverter Ready
IP Rating	IP55
KVA Code	G

## Part detail

Revision	A
Type	AC
Mech. spec.	
Base	
Status	PRD/A
Elec. spec.	A36WG1044
Layout	617428-593
Eff. date	12-09-2021
CD Diagram	416820-002
Poles	08
Leads	3#6,6#8
Proprietary	False
Created date	08-20-2019

<b>Lifting Lugs</b>	Standard Lifting Lugs
<b>Motor Lead Quantity/Wire Size</b>	3 @ 6 AWG
<b>Motor Standards</b>	NEMA
<b>Motor Type</b>	A36062M
<b>Mounting Arrangement</b>	F1
<b>Number of Poles</b>	8
<b>Overall Length</b>	33.48 IN
<b>Power Factor</b>	77
<b>Product Family</b>	Washdown Features
<b>Pulley End Bearing Type</b>	Ball
<b>Pulley Face Code</b>	Standard
<b>Service Factor</b>	1.15
<b>Shaft Diameter</b>	2.374 IN
<b>Shaft Ground Indicator</b>	No Shaft Grounding
<b>Shaft Rotation</b>	Reversible
<b>Shaft Slinger Indicator</b>	Shaft Slinger
<b>Speed</b>	890 rpm
<b>Speed Code</b>	Single Speed
<b>Starting Method</b>	Direct on line
<b>Thermal Device - Bearing</b>	None
<b>Thermal Device - Winding</b>	None

**Nameplate**

---

NP2496L	
MOBIL POLYREX EM	

---

**NP2428L**

<b>SPEC NO.</b>	A36-7288-1044	<b>CAT.NO.</b>	EWDM4348T		<b>FRAME</b>	365T
<b>HP</b>	40	<b>VOLTS</b>	230/460	<b>PHASE</b>	3	<b>DESIGN</b> B <b>TYPE</b> P
<b>RPM</b>	890	<b>AMPS</b>	106/52.9	<b>HZ</b>	60	<b>AMB</b> 40 <b>SF</b> 1.15
<b>DRIVE END BEARING</b>	65BC03JGG30A	<b>DUTY</b>	CONT	<b>INSUL.CLASS</b>	F	
<b>OPP D.E. BEARING</b>	65BC03JGG30A	<b>ENCL</b>	TEFC	<b>CODE</b>	G	
<b>SER.NO.</b>		<b>POWER FACTOR</b>	77	<b>NEMA-NOM-EFFICIENCY</b>	91.7	
				<b>MAX CORR KVAR</b>	12	<b>GUARANTEED EFFICIENCY</b> 90.2
	IP55			<b>NEMA NOM/CSA QUOTED EFF</b>		
	10:1CT AND 10:1VT ON VPWM INVE			<b>RTER, 1.00SF</b>		<b>MOTOR WEIGHT</b>









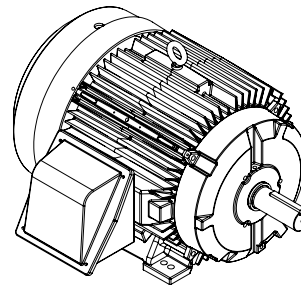
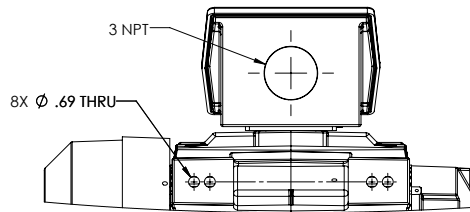
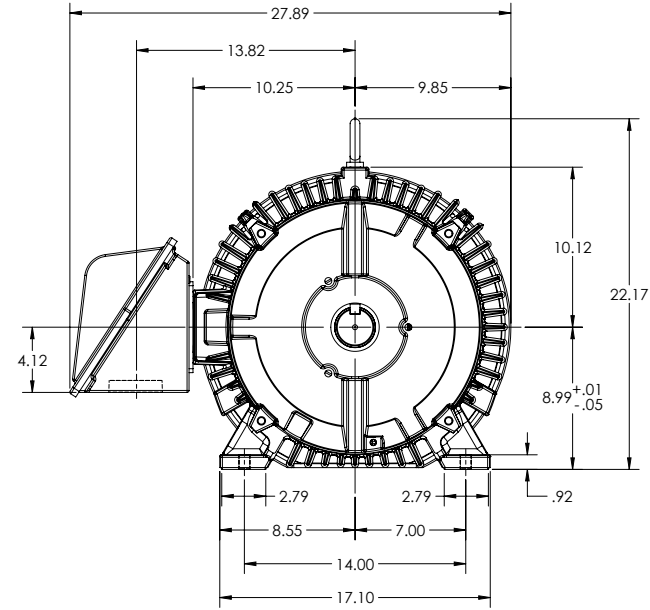
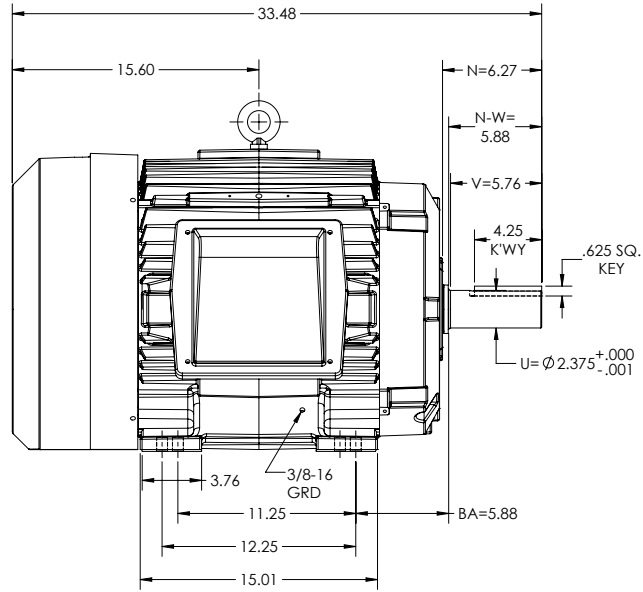
**DUTY MASTER ALTERNATING CURRENT MOTORS**  
SQUIRREL-CAGE INDUCTION

617428-593

ENCLOSURE: TOTALLY ENCLOSED  
MOUNTING: FOOT, F-1 SIDE

FRAME E365T  
INCLUDES E364T FRAME MOUNTING HOLES  
CAST IRON CONDUIT BOX

COOLING: FAN COOLED  
ENCLOSURE ENHANCEMENT: SEVERE DUTY



DIMENSIONS ARE IN INCHES

CUSTOMER IS RESPONSIBLE FOR DETERMINING THAT MOTOR PERFORMANCE IS SUITABLE IN THE APPLICATION.

IF MOUNTING CLEARANCE DETAILS ARE REQUIRED, CONSULT FACTORY.  
MAXIMUM PERMISSIBLE SHAFT RUNOUT WHEN MEASURED AT END OF  
STANDARD SHAFT EXTENSION IS .003" T.I.R. TO 5 INCH DIA.

REV. DESC: REMOVE SLINGER NOTE	VERSION: 01	REVISED: 08-44-20 03/26/2020	TDR: 000001135936
REV: A	BY: RAGSS1	MODEL NO. 617428-593	

**BALDOR**

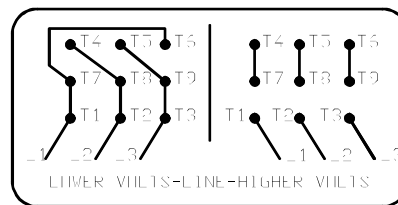
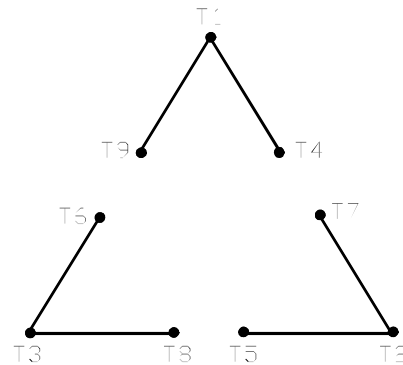
E3654T TEFC F1 FT SEVERE-

617428-593

617428-593

416820-002

A-C MOTOR  
 CONNECTION DIAGRAM  
 STANDARD 9 LEAD DELTA-CONNECTED



(N.P. 1575-B)

416820-002

REV. DESC: FONT CHANGE FOR PDF SEARCHABLE		
REV. LTR: A	VERSION: 01	TDR: 000001009382
FILE: \MGA\00000\661	REVISED: 02:46:19 02/13/2020	BY: MGHMTT
MTL: -	© □	

**BALDOR - RELIANCE®**

CONN DIAG - STANDARD 9 LEAD, DELTA-CONNECTED

SH 1 of 1