



Customer information packet

EWDM4338T

30HP, 890RPM, 3PH, 60HZ, 364T, A36050M, TEFC, F

Class - None

Division - Not Applicable

Specifications

Enclosure	TEFC
Frame	364T
Frame Material	Iron
Frequency	60.00 Hz
Haz Area Class and Group	None
Haz Area Division	Not Applicable
Motor Letter Type	Three Phase
Output @ Frequency	30.000 HP @ 60 HZ
Phase	3
Synchronous Speed @ Frequency	900 RPM @ 60 HZ
Voltage @ Frequency	230.0 V @ 60 HZ 460.0 V @ 60 HZ
Agency Approvals	CSA EEV CCSA US
Ambient Temperature	40 °C
Auxillary Box	No Auxillary Box
Base Indicator	Rigid
Bearing Grease Type	Polyrex EM (-20F +300F)
Current @ Voltage	80.000 A @ 230.0 V 40.000 A @ 460.0 V
Design Code	B
Drip Cover	No Drip Cover
Duty Rating	CONT
Efficiency @ 100% Load	91.7 %
Enclosure Modification	Severe Duty Features
Feedback Device	NO FEEDBACK
Heater Indicator	No Heater
High Voltage Full Load Amps	40.0 a
Insulation Class	F
Inverter Code	Inverter Ready
IP Rating	IP55
KVA Code	G

Part detail

Revision	A
Type	AC
Mech. spec.	
Base	
Status	PRD/A
Elec. spec.	A36WG0999
Layout	617428-593
Eff. date	12-09-2021
CD Diagram	416820-002
Poles	08
Leads	3#6,6#8
Proprietary	False
Created date	08-20-2019

Lifting Lugs	Standard Lifting Lugs
Motor Lead Quantity/Wire Size	3 @ 6 AWG
Motor Standards	NEMA
Motor Type	A36050M
Mounting Arrangement	F1
Number of Poles	8
Overall Length	33.48 IN
Power Factor	77
Product Family	Washdown Features
Pulley End Bearing Type	Ball
Pulley Face Code	Standard
Service Factor	1.15
Shaft Diameter	2.374 IN
Shaft Ground Indicator	No Shaft Grounding
Shaft Rotation	Reversible
Shaft Slinger Indicator	Shaft Slinger
Speed	890 rpm
Speed Code	Single Speed
Starting Method	Direct on line
Thermal Device - Bearing	None
Thermal Device - Winding	None

Nameplate

NP2496L	
MOBIL POLYREX EM	

NP2428L

SPEC NO.	A36-7347-0999	CAT.NO.	EWDM4338T				FRAME	364T	
HP	30	VOLTS	230/460	PHASE	3	DESIGN	B	TYPE	P
RPM	890	AMPS	80/40	HZ	60	AMB	40	SF	1.15
DRIVE END BEARING	65BC03JGG30A	DUTY	CONT	INSUL.CLASS	F				
OPP D.E. BEARING	65BC03JGG30A	ENCL	TEFC	CODE	G				
SER.NO.		POWER FACTOR	77	NEMA-NOM-EFFICIENCY	91.7				
		MAX CORR KVAR	9	GUARANTEED EFFICIENCY	90.2				
	IP55	NEMA NOM/CSA QUOTED EFF							
	10:1CT AND 10:1VT ON VPWM INVE	RTER, 1.00SF		MOTOR WEIGHT					

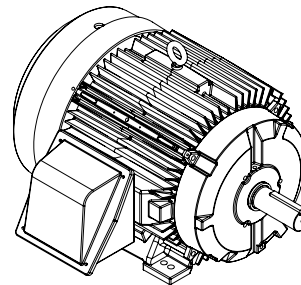
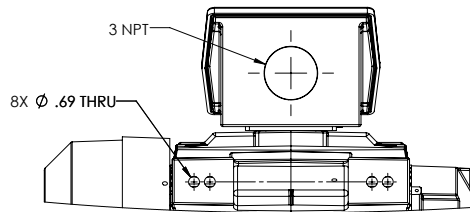
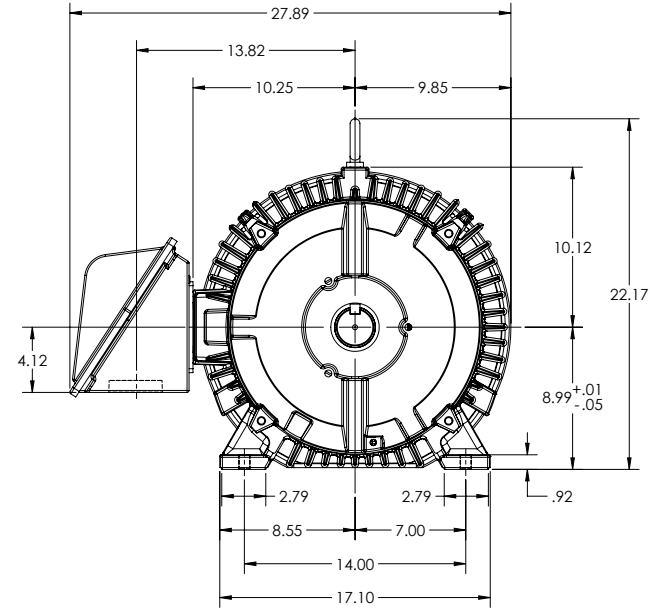
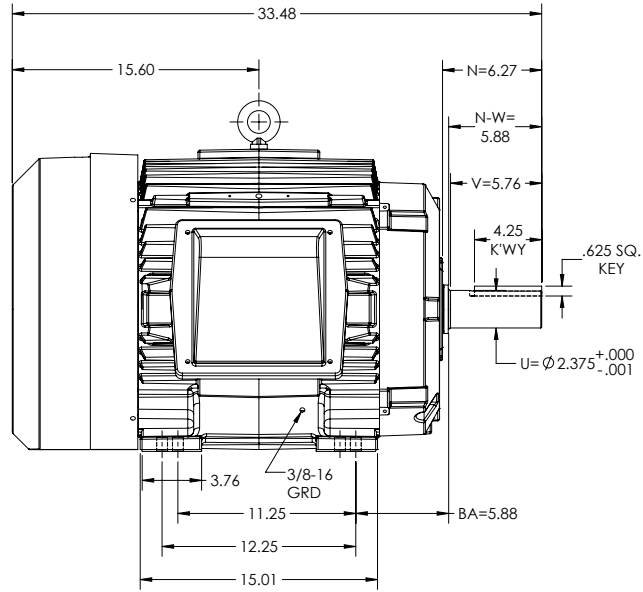
DUTY MASTER ALTERNATING CURRENT MOTORS
SQUIRREL-CAGE INDUCTION

617428-593

ENCLOSURE: TOTALLY ENCLOSED
MOUNTING: FOOT, F-1 SIDE

FRAME E365T
INCLUDES E364T FRAME MOUNTING HOLES
CAST IRON CONDUIT BOX

COOLING: FAN COOLED
ENCLOSURE ENHANCEMENT: SEVERE DUTY



DIMENSIONS ARE IN INCHES

CUSTOMER IS RESPONSIBLE FOR DETERMINING THAT MOTOR PERFORMANCE IS SUITABLE IN THE APPLICATION.

IF MOUNTING CLEARANCE DETAILS ARE REQUIRED, CONSULT FACTORY.
MAXIMUM PERMISSIBLE SHAFT RUNOUT WHEN MEASURED AT END OF
STANDARD SHAFT EXTENSION IS .003" T.I.R. TO 5 INCH DIA.

REV. DESC: REMOVE SLINGER NOTE	VERSION: 01	REVISED: 08-44-20 03/26/2020	TDR: 000001135936
REV: A	MODEL NO. 617428-593	BY: RAGSS1	

BALDOR

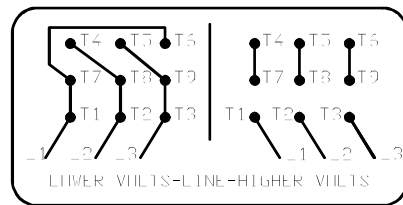
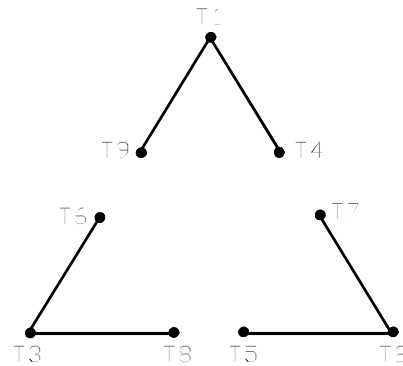
E3654T TEFC F1 FT SEVERE-

617428-593

617428-593

416820-002

A-C MOTOR
 CONNECTION DIAGRAM
 STANDARD 9 LEAD DELTA-CONNECTED



(N.P. 1575-B)

416820-002

REV. DESC: FONT CHANGE FOR PDF SEARCHABLE		
REV. LTR: A	VERSION: 01	TDR: 000001009382
FILE: \MGA\00000\661	REVISED: 02:46:19 02/13/2020	BY: MGHMTT
MTL: -		© □

BALDOR - RELIANCE®

CONN DIAG - STANDARD 9 LEAD, DELTA-CONNECTED

SH 1 of 1