

**BALDOR • RELIANCE**

---

# Customer information packet

## EWDM4108T

30HP, 3520RPM, 3PH, 60HZ, 286TS, TEFC, F1

Class - None

Division - Not Applicable

Copyright © All product information within this document is subject to ABB Motors and Mechanical Inc. copyright © protection, unless otherwise noted.

10/5/2024 1:28:27 AM

## Specifications

Enclosure	TEFC
Frame	286TS
Frame Material	Iron
Frequency	60.00 Hz
Haz Area Class and Group	None
Haz Area Division	Not Applicable
Motor Letter Type	Three Phase
Output @ Frequency	30.000 HP @ 60 HZ
Phase	3
Synchronous Speed @ Frequency	3600 RPM @ 60 HZ
Voltage @ Frequency	230.0 V @ 60 HZ 460.0 V @ 60 HZ
Agency Approvals	CSA CSA EEV NEMA PREMIUM UR
Ambient Temperature	40 °C
Auxillary Box	No Auxillary Box
Auxillary Box Lead Termination	None
Base Indicator	Rigid
Bearing Grease Type	Polyrex EM (-20F +300F)
Blower	None
Current @ Voltage	68.000 A @ 230.0 V 34.000 A @ 460.0 V
Design Code	A
Drip Cover	No Drip Cover
Duty Rating	CONT
Efficiency @ 100% Load	91.7 %
Electrically Isolated Bearing	Not Electrically Isolated
Enclosure Modification	Severe Duty Features
Feedback Device	NO FEEDBACK
Heater Indicator	No Heater

## Part detail

Revision	H
Type	AC
Mech. spec.	
Base	
Status	PRD/A
Elec. spec.	09WGT474
Layout	09LYK556
Eff. date	02-14-2024
CD Diagram	CD0180
Poles	02
Leads	9#10
Proprietary	False
Created date	08-14-2019

High Voltage Full Load Amps	34.0 a
Insulation Class	F
Inverter Code	Inverter Ready
IP Rating	IP55
KVA Code	J
Lifting Lugs	Standard Lifting Lugs
Locked Bearing Indicator	Locked Bearing
Max Speed	5400 rpm
Motor Lead Termination	Flying Leads
Motor Standards	NEMA
Motor Type	0950M
Mounting Arrangement	F1
Number of Poles	2
Overall Length	24.47 IN
Power Factor	89
Product Family	Washdown Features
Pulley Face Code	Standard
Rodent Screen	None
Service Factor	1.00
Shaft Diameter	1.625 IN
Shaft Ground Indicator	No Shaft Grounding
Shaft Rotation	Reversible
Speed	3520 rpm
Speed Code	Single Speed
Starting Method	Direct on line
Thermal Device - Bearing	None
Thermal Device - Winding	None
Vibration Sensor Indicator	No Vibration Sensor
Winding Thermal 1	None
Winding Thermal 2	None

**Nameplate**

<b>NP1669L</b>									
<b>CAT.NO.</b>	EWDM4108T								
<b>SPEC.</b>	09-0000-1725								
<b>HP</b>	30								
<b>VOLTS</b>	230/460 10:1 CT/VT								
<b>AMP</b>	68/34								
<b>RPM</b>	3520								
<b>FRAME</b>	286TS		<b>HZ</b>	60		<b>PH</b>	3		
<b>SER.F.</b>	1.00	<b>CODE</b>	J	<b>DES</b>	A	<b>CLASS</b>	F		
<b>NEMA-NOM-EFF</b>	91.7	<b>PF</b>	89						
<b>RATING</b>	40C AMB-CONT								
<b>CC</b>	010A								
<b>DE</b>	6311		<b>ODE</b>	6208					
<b>ENCL</b>	TEFC	<b>SN</b>							
<b>BLANK</b>	1.15SF ON SINEWAVE								

**AC Induction Motor Performance Data**

Record # 68643

Typical performance - not guaranteed values

Winding: 09WGT474-R005		Type: 0950M	Enclosure: TEFC		
<b>Nameplate Data</b>			<b>460 V, 60 Hz: High Voltage Connection</b>		
Rated Output (HP)	30	Full Load Torque	44.65 LB-FT		
Volts	230/460	Start Configuration	direct on line		
Full Load Amps	68/34	Breakdown Torque	173 LB-FT		
R.P.M.	3520	Pull-up Torque	87.6 LB-FT		
Hz	60 Phase	3	Locked-rotor Torque	104 LB-FT	
NEMA Design Code	A	KVA Code	J	Starting Current	283 A
Service Factor (S.F.)	1.15		No-load Current	10.9 A	
NEMA Nom. Eff.	91.7	Power Factor	89	Line-line Res. @ 25°C	0.2527 Ω
Rating - Duty	40C AMB-CONT		Temp. Rise @ Rated Load	79°C	
S.F. Amps	78/39		Temp. Rise @ S.F. Load	97°C	
			Locked-rotor Power Factor	28	

**Load Characteristics 460 V, 60 Hz, 30 HP**

% of Rated Load	25	50	75	100	125	150	S.F.
Power Factor	58	78	86	89	90	91	90
Efficiency	87.7	91.8	92.4	92.1	91.3	90.2	91.6
Speed	3580.7	3562.2	3542.3	3521	3497.7	3471	3507
Line amperes	13.7	19.4	26.4	34.2	42.4	51.3	39.1

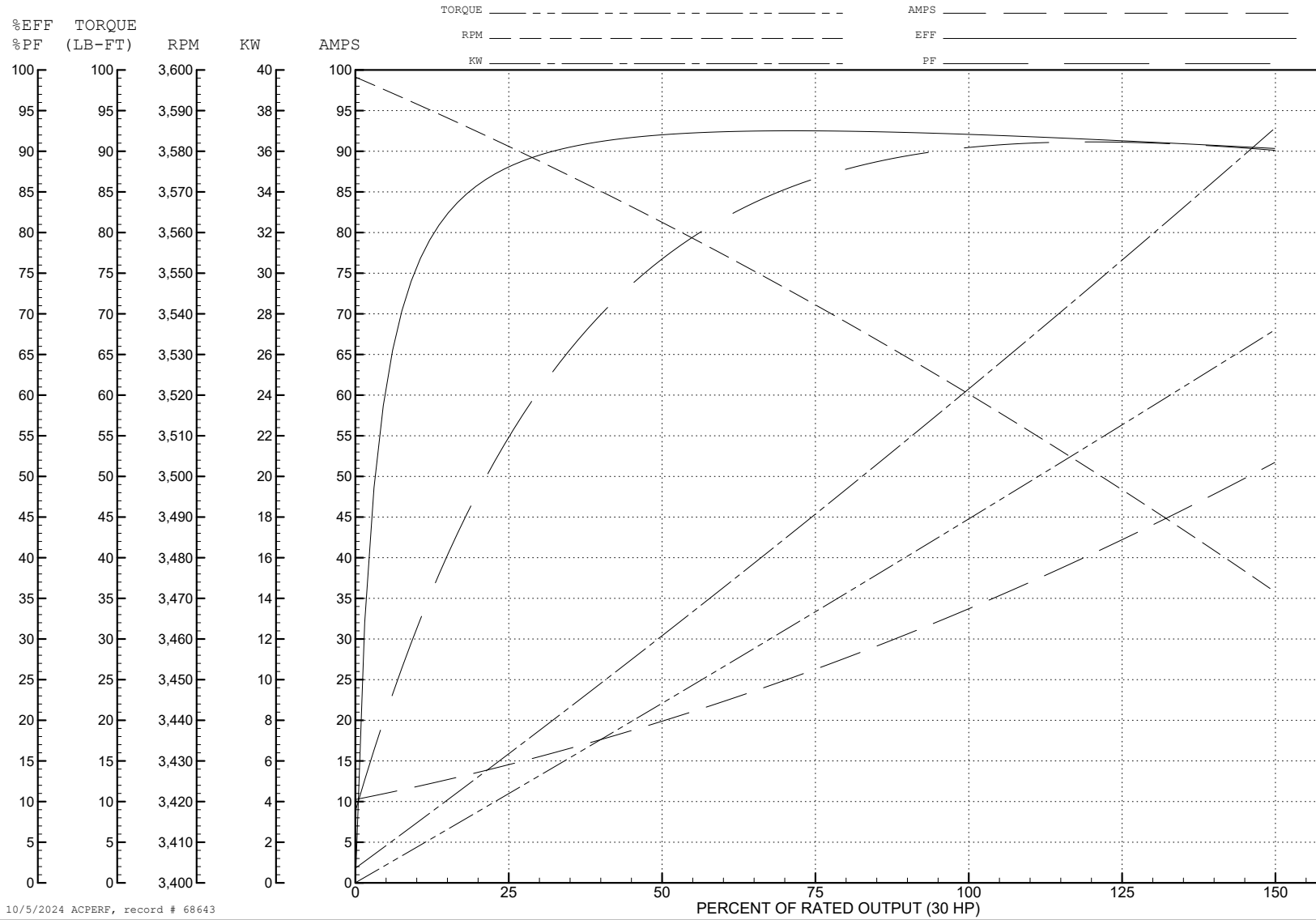
ABB Motors and Mechanical Inc.

WINDING # 09WGT474

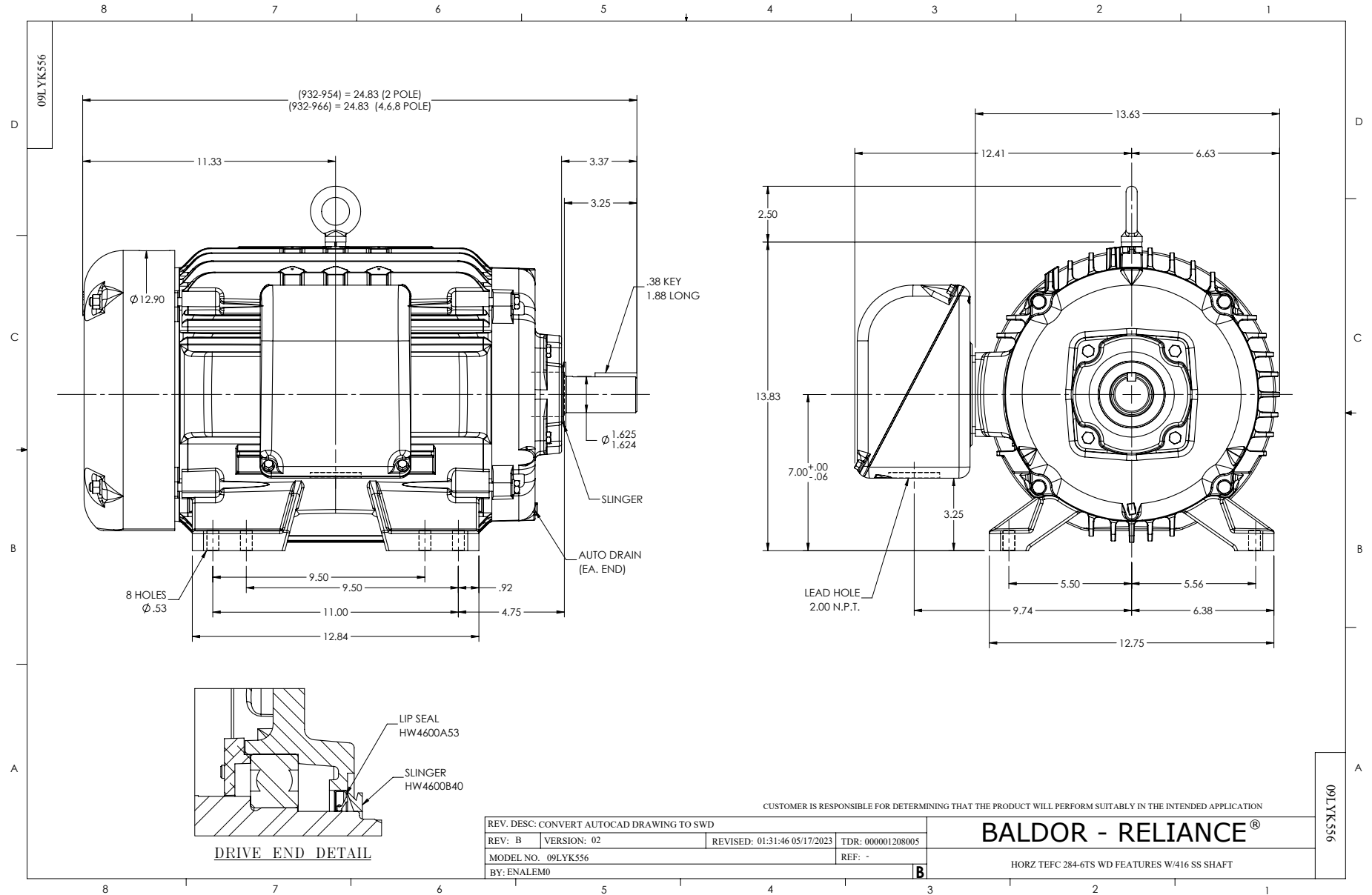
Typical performance - not guaranteed values.

30 HP 3 PH 60 HZ 3520 RPM 460 V 0950M

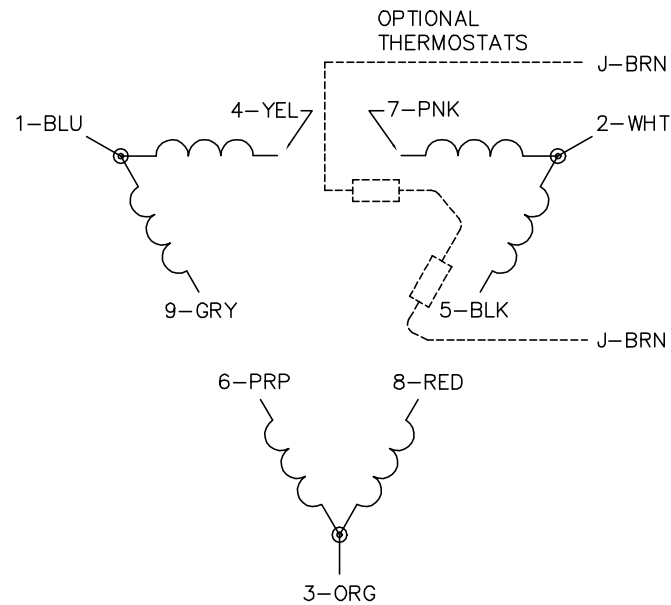
TORQUES (LB-FT): PO=173 PU=87.6 LR=104 LRA=283



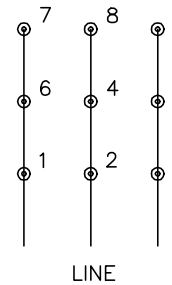
10/5/2024 ACPERF, record # 68643



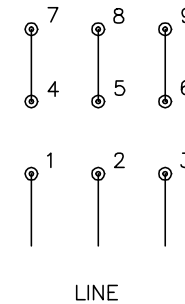
CD0180



LOW VOLTAGE  
(2D)



HIGH VOLTAGE  
(1D)



NOTES:

1. INTERCHANGE ANY TWO LINE LEADS TO REVERSE ROTATION.
2. OPTIONAL THERMOSTATS ARE PROVIDED WHEN SPECIFIED.
3. ACTUAL NUMBER OF INTERNAL PARALLEL CIRCUITS MAY BE A MULTIPLE OF THOSE SHOWN ABOVE.
4. LEAD COLORS ARE OPTIONAL. LEADS MUST ALWAYS BE NUMBERED AS SHOWN.

CD0180

REV. DESC: ADD CLASS CONN00000007		
REV. LTR: D	VERSION: 01	TDR: 000001099922
FILE: \AAA\00005\148	REVISED: 10: 25: 29 02/19/2019	BY: ENBRIRO
MTL: -	© □	

**BALDOR - RELIANCE®**

3PH, DV, 9 LEADS, DELTA CONNECTION

SH 1 of 1