



Customer information packet

EWDM4103T

25HP, 1775RPM, 3PH, 60HZ, 284T, TEFC, F1

Class - None

Division - Not Applicable

Specifications

Enclosure	TEFC
Frame	284T
Frame Material	Iron
Frequency	60.00 Hz
Haz Area Class and Group	None
Haz Area Division	Not Applicable
Motor Letter Type	Three Phase
Output @ Frequency	25.000 HP @ 60 HZ
Phase	3
Synchronous Speed @ Frequency	1800 RPM @ 60 HZ
Voltage @ Frequency	230.0 V @ 60 HZ 460.0 V @ 60 HZ
Agency Approvals	CSA CSA EEV NEMA PREMIUM UR
Ambient Temperature	40 °C
Auxillary Box	No Auxillary Box
Auxillary Box Lead Termination	None
Base Indicator	Rigid
Bearing Grease Type	Polyrex EM (-20F +300F)
Blower	None
Current @ Voltage	62.000 A @ 230.0 V 31.000 A @ 460.0 V
Design Code	A
Drip Cover	No Drip Cover
Duty Rating	CONT
Efficiency @ 100% Load	93.6 %
Electrically Isolated Bearing	Not Electrically Isolated
Enclosure Modification	Severe Duty Features
Feedback Device	NO FEEDBACK
Heater Indicator	No Heater

Part detail

Revision	K
Type	AC
Mech. spec.	
Base	
Status	PRD/A
Elec. spec.	10WGZ651
Layout	10LYN057
Eff. date	02-21-2024
CD Diagram	CD0180
Poles	04
Leads	9#10
Proprietary	False
Created date	08-16-2019

High Voltage Full Load Amps	31.0 a
Insulation Class	F
Inverter Code	Inverter Duty
IP Rating	IP55
KVA Code	J
Lifting Lugs	Standard Lifting Lugs
Locked Bearing Indicator	Locked Bearing
Max Speed	2700 rpm
Motor Lead Termination	Flying Leads
Motor Standards	NEMA
Motor Type	1054M
Mounting Arrangement	F1
Number of Poles	4
Overall Length	27.56 IN
Power Factor	81
Product Family	Washdown Features
Pulley Face Code	Standard
Rodent Screen	None
Service Factor	1.00
Shaft Diameter	1.875 IN
Shaft Ground Indicator	No Shaft Grounding
Shaft Rotation	Reversible
Speed	1775 rpm
Speed Code	Single Speed
Starting Method	Direct on line
Thermal Device - Bearing	None
Thermal Device - Winding	None
Vibration Sensor Indicator	No Vibration Sensor
Winding Thermal 1	None
Winding Thermal 2	None

Nameplate

NP1669L									
CAT.NO.	EWDM4103T								
SPEC.	10-0000-1021								
HP	25								
VOLTS	230/460 20:1 CT/VT								
AMP	62/31								
RPM	1775								
FRAME	284T		HZ	60		PH	3		
SER.F.	1.00	CODE	J	DES	A	CLASS	F		
NEMA-NOM-EFF	93.6	PF	81						
RATING	40C AMB-CONT								
CC	010A								
DE	6311		ODE	6309					
ENCL	TEFC	SN							
BLANK	1.15SF ON SINEWAVE								

AC Induction Motor Performance Data

Record # 68462

Typical performance - not guaranteed values

Winding: 10WGZ651-R016		Type: 1054M		Enclosure: TEFC	
Nameplate Data			460 V, 60 Hz: High Voltage Connection		
Rated Output (HP)	25	Full Load Torque	74.02 LB-FT		
Volts	230/460	Start Configuration	direct on line		
Full Load Amps	62/31	Breakdown Torque	262 LB-FT		
R.P.M.	1775	Pull-up Torque	118 LB-FT		
Hz	60 Phase	3	Locked-rotor Torque	142 LB-FT	
NEMA Design Code	A KVA Code	J	Starting Current	223 A	
Service Factor (S.F.)		1	No-load Current	13.6 A	
NEMA Nom. Eff.	93.6 Power Factor	81	Line-line Res. @ 25°C	0.2345 Ω	
Rating - Duty	40C AMB-CONT		Temp. Rise @ Rated Load	51°C	
			Locked-rotor Power Factor	30.6	

Load Characteristics 460 V, 60 Hz, 25 HP

% of Rated Load	25	50	75	100	125	150
Power Factor	43	65	76	81	84	85
Efficiency	88.3	92.8	93.9	94	93.7	93.1
Speed	1794.1	1789.3	1783.5	1777.8	1770.8	1763.8
Line amperes	15.3	19.3	24.6	30.6	37.2	44.5

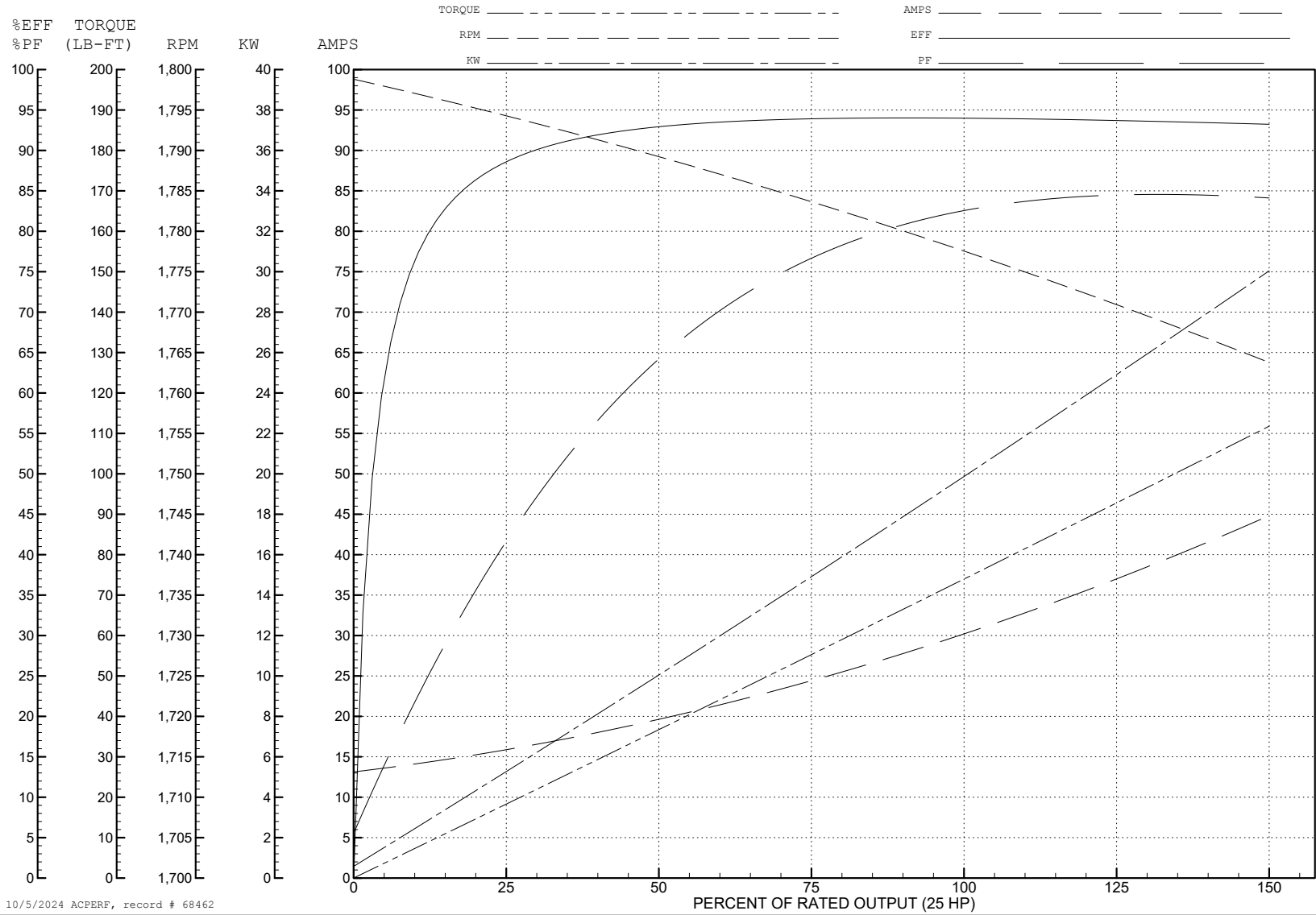
ABB Motors and Mechanical Inc.

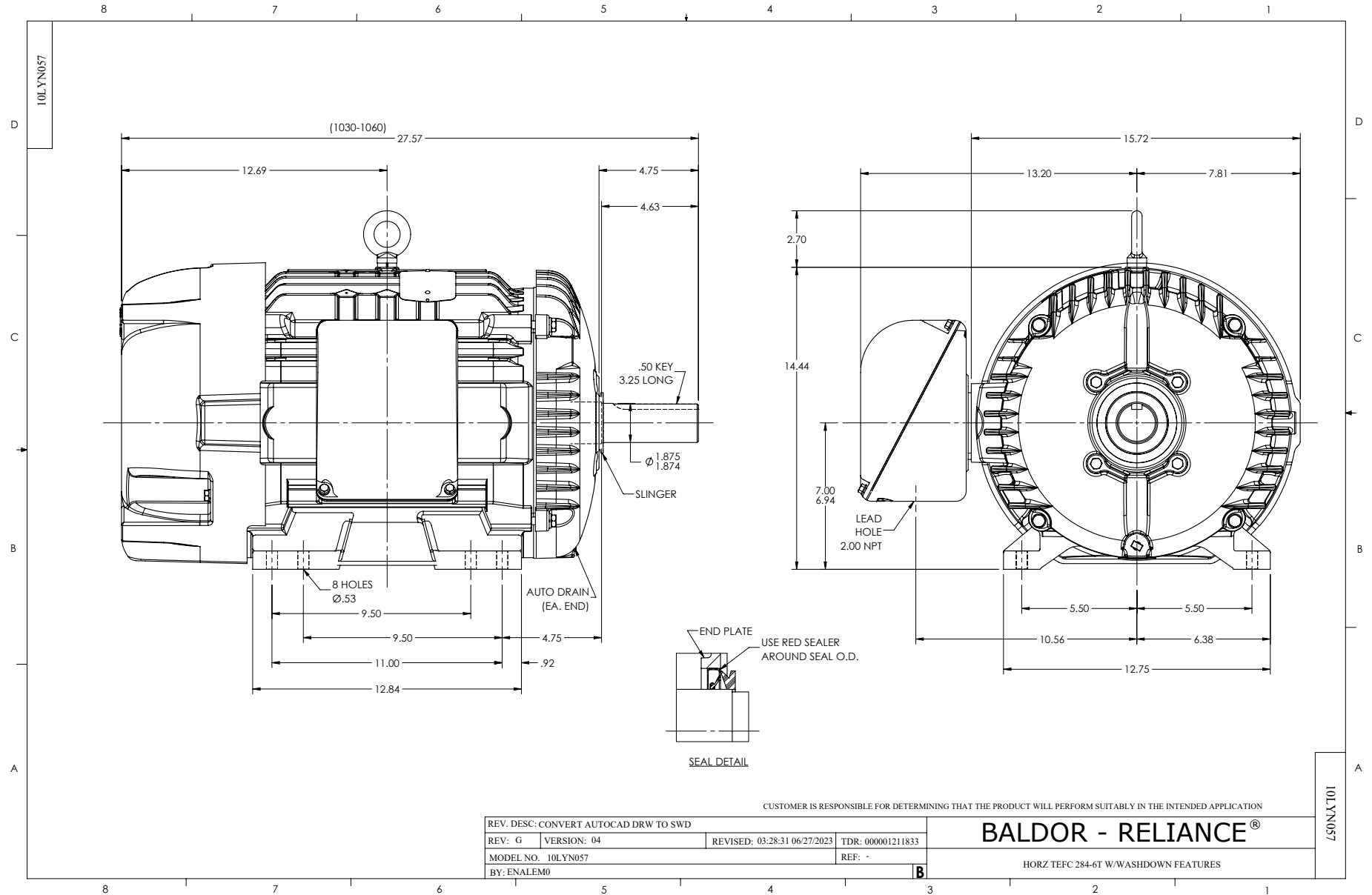
WINDING # 10WGZ651

Typical performance - not guaranteed values.

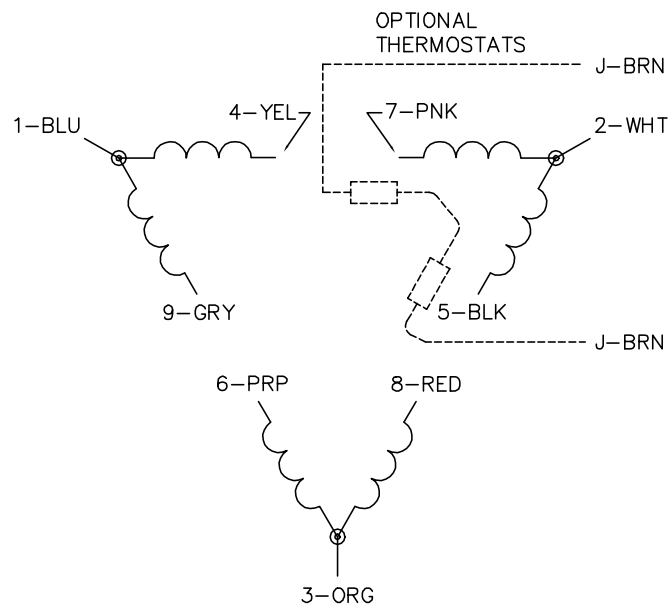
25 HP 3 PH 60 HZ 1775 RPM 460 V 1054M

TORQUES (LB-FT): PO=262 PU=118 LR=142 LRA=223

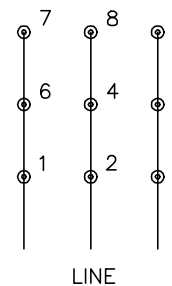




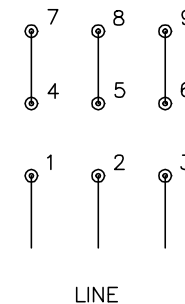
CD0180



LOW VOLTAGE
(2D)



HIGH VOLTAGE
(1D)



NOTES:

1. INTERCHANGE ANY TWO LINE LEADS TO REVERSE ROTATION.
2. OPTIONAL THERMOSTATS ARE PROVIDED WHEN SPECIFIED.
3. ACTUAL NUMBER OF INTERNAL PARALLEL CIRCUITS MAY BE A MULTIPLE OF THOSE SHOWN ABOVE.
4. LEAD COLORS ARE OPTIONAL. LEADS MUST ALWAYS BE NUMBERED AS SHOWN.

CD0180

REV. DESC: ADD CLASS CONN00000007		
REV. LTR: D	VERSION: 01	TDR: 000001099922
FILE: \AAA\00005\148	REVISED: 10: 25: 29 02/19/2019	BY: ENBRIRO
MTL: -	© □	

BALDOR - RELIANCE®

3PH, DV, 9 LEADS, DELTA CONNECTION

SH 1 of 1