

**BALDOR • RELIANCE**

---

# Customer information packet

## EWDM23934T

20HP, 1765RPM, 3PH, 60HZ, 256T, 3952M, TEFC, F1

Class -

Division - Not Applicable

## Specifications

Enclosure	TEFC
Frame	256T
Frame Material	Steel
Frequency	60.00 Hz
Haz Area Division	Not Applicable
Motor Letter Type	Three Phase
Output @ Frequency	20.000 HP @ 60 HZ
Phase	3
Synchronous Speed @ Frequency	1800 RPM @ 60 HZ
Voltage @ Frequency	230.0 V @ 60 HZ 460.0 V @ 60 HZ
Agency Approvals	CSA UR CSA EEV
Ambient Temperature	40 °C
Auxillary Box	No Auxillary Box
Auxillary Box Lead Termination	None
Base Indicator	Rigid
Bearing Grease Type	Polyrex EM (-20F +300F)
Blower	None
Current @ Voltage	52.000 A @ 208.0 V 48.000 A @ 230.0 V 24.000 A @ 460.0 V
Design Code	A
Drip Cover	No Drip Cover
Duty Rating	CONT
Efficiency @ 100% Load	93.0 %
Electrically Isolated Bearing	Not Electrically Isolated
Feedback Device	NO FEEDBACK
Front Face Code	Standard
Front Shaft Indicator	None
Heater Indicator	No Heater

## Part detail

Revision	X
Type	AC
Mech. spec.	39J10
Base	
Status	PRD/A
Elec. spec.	39WGW766
Layout	39LYJ010
Eff. date	02-14-2024
CD Diagram	CD0180
Poles	04
Leads	9#12
Proprietary	False
Created date	05-20-2014

High Voltage Full Load Amps	24.0 a
Insulation Class	F
Inverter Code	Inverter Ready
KVA Code	H
Lifting Lugs	Standard Lifting Lugs
Locked Bearing Indicator	No Locked Bearing
Motor Lead Exit	Ko Box
Motor Lead Quantity/Wire Size	9 @ 12 AWG
Motor Lead Termination	Flying Leads
Motor Standards	NEMA
Motor Type	3952M
Mounting Arrangement	F1
Number of Poles	4
Overall Length	23.57 IN
Power Factor	84
Product Family	Wash Down
Pulley End Bearing Type	Sealed Bearing
Pulley Face Code	Standard
Pulley Shaft Indicator	Standard
Rodent Screen	None
Service Factor	1.15
Shaft Diameter	1.625 IN
Shaft Extension Location	Pulley End
Shaft Ground Indicator	No Shaft Grounding
Shaft Rotation	Reversible
Shaft Slinger Indicator	Shaft Slinger
Speed	1765 rpm
Speed Code	Single Speed
Starting Method	Direct on line
Thermal Device - Bearing	None
Thermal Device - Winding	None
Vibration Sensor Indicator	No Vibration Sensor

**Nameplate**

<b>NP1669L</b>									
<b>CAT.NO.</b>	EWDM23934T								
<b>SPEC.</b>	39J010W766G2								
<b>HP</b>	20								
<b>VOLTS</b>	230/460								
<b>AMP</b>	48/24								
<b>RPM</b>	1765								
<b>FRAME</b>	256T		<b>HZ</b>	60		<b>PH</b>	3		
<b>SER.F.</b>	1.15	<b>CODE</b>	H	<b>DES</b>	A	<b>CLASS</b>	F		
<b>NEMA-NOM-EFF</b>	93	<b>PF</b>	84						
<b>RATING</b>	40C AMB-CONT								
<b>CC</b>	010A								
<b>DE</b>	6309	<b>ODE</b>	6208						
<b>ENCL</b>	TEFC	<b>SN</b>							
<b>BLANK</b>	20:1 CT 20:1 VT								

**AC Induction Motor Performance Data**

Record # 32188

Typical performance - not guaranteed values

Winding: 39WGW766-R006		Type: 3952M	Enclosure: TEFC	
<b>Nameplate Data</b>			<b>460 V, 60 Hz: High Voltage Connection</b>	
Rated Output (HP)	20	Full Load Torque	60 LB-FT	
Volts	230/460	Start Configuration	direct on line	
Full Load Amps	48/24	Breakdown Torque	183 LB-FT	
R.P.M.	1765	Pull-up Torque	79 LB-FT	
Hz	60 Phase	Locked-rotor Torque	120 LB-FT	
NEMA Design Code	A KVA Code	Starting Current	171 A	
Service Factor (S.F.)	1.15	No-load Current	8.5 A	
NEMA Nom. Eff.	93 Power Factor	Line-line Res. @ 25°C	0.4083 Ω	
Rating - Duty	40C AMB-CONT	Temp. Rise @ Rated Load	70°C	
S.F. Amps		Temp. Rise @ S.F. Load	84°C	
		Locked-rotor Power Factor	32.6	
		Rotor inertia	2.27 LB-FT <sup>2</sup>	

**Load Characteristics 460 V, 60 Hz, 20 HP**

% of Rated Load	25	50	75	100	125	150	S.F.
Power Factor	45	67	79	84	86	87	85
Efficiency	89.6	92.9	93.5	93.2	92.5	91.6	92.8
Speed	1791	1784	1776	1767	1758	1748	1762
Line amperes	10.17	13.79	18.39	23.89	28.78	34.6	26.82

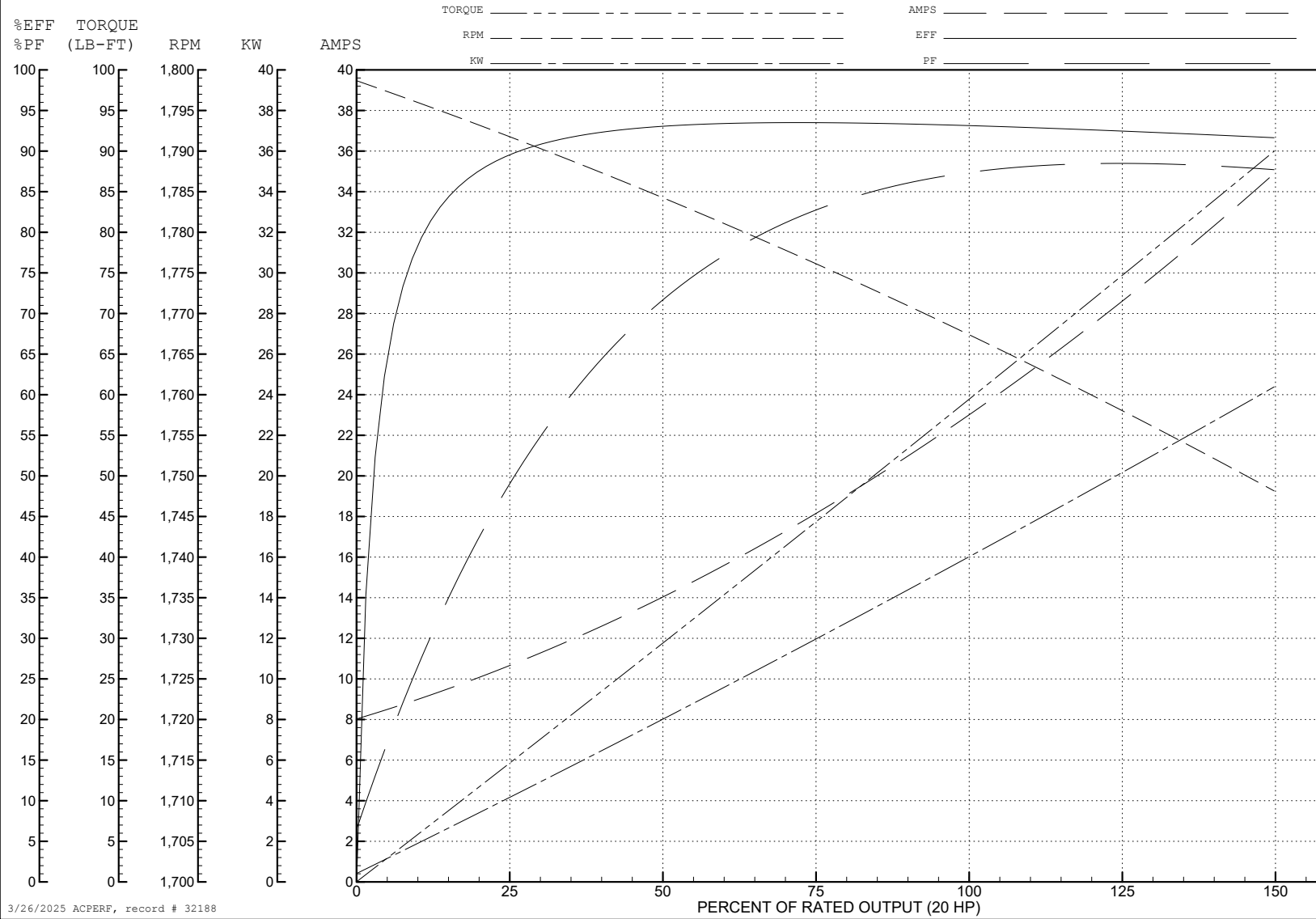
ABB Motors and Mechanical Inc.

WINDING # 39WG766

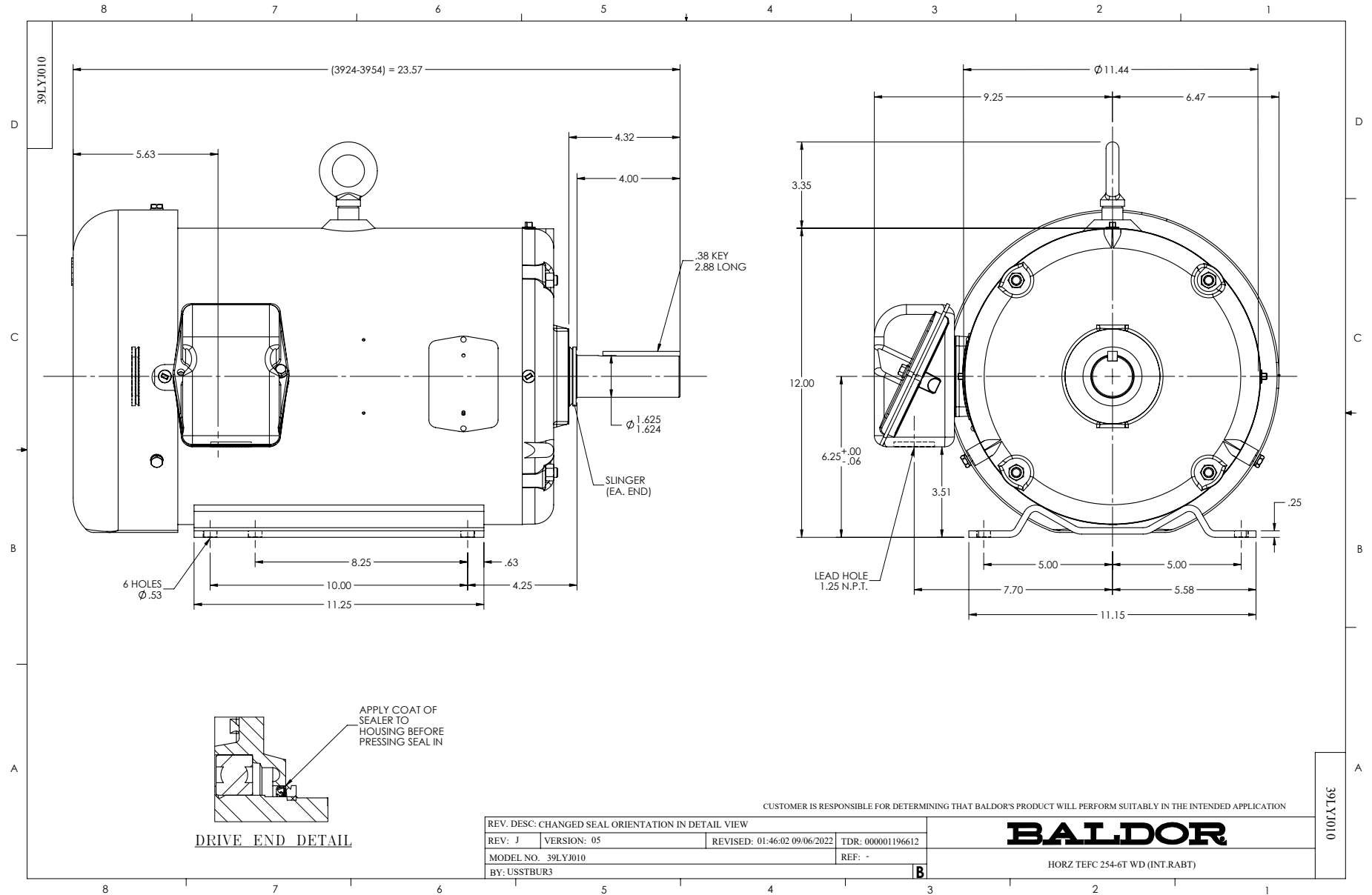
Typical performance - not guaranteed values.

20 HP 3 PH 60 HZ 1765 RPM 460 V 3952M

TORQUES (LB-FT): PO=183 PU=79 LR=120 LRA=171



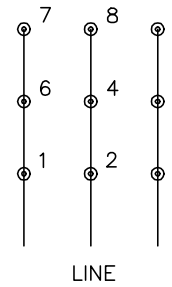
3/26/2025 ACPERF, record # 32188



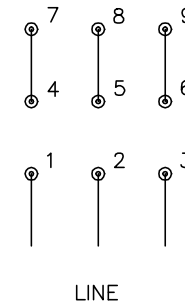
CD0180



LOW VOLTAGE  
(2D)



HIGH VOLTAGE  
(1D)



NOTES:

1. INTERCHANGE ANY TWO LINE LEADS TO REVERSE ROTATION.
2. OPTIONAL THERMOSTATS ARE PROVIDED WHEN SPECIFIED.
3. ACTUAL NUMBER OF INTERNAL PARALLEL CIRCUITS MAY BE A MULTIPLE OF THOSE SHOWN ABOVE.
4. LEAD COLORS ARE OPTIONAL. LEADS MUST ALWAYS BE NUMBERED AS SHOWN.

CD0180

REV. DESC: ADD CLASS CONN00000007		
REV. LTR: D	VERSION: 01	TDR: 000001099922
FILE: \AAA\00005\148	REVISED: 10: 25: 29 02/19/2019	BY: ENBRIRO
MTL: -	© □	

**BALDOR - RELIANCE®**

3PH, DV, 9 LEADS, DELTA CONNECTION

SH 1 of 1