



Customer information packet

EM7147T

7.5HP, 1770RPM, 3PH, 60HZ, 213T, 0738M, XPFC, F
Class - CLI GP D; CLII GP F,G
Division - Division I

Specifications

Enclosure	XPFC
Frame	213T
Frame Material	Iron
Frequency	60.00 Hz
Haz Area Class and Group	CLI GP D; CLII GP F,G
Haz Area Division	Division I
Motor Letter Type	Three Phase
Output @ Frequency	7.500 HP @ 60 HZ
Phase	3
Synchronous Speed @ Frequency	1800 RPM @ 60 HZ
Voltage @ Frequency	230.0 V @ 60 HZ 460.0 V @ 60 HZ
Agency Approvals	CSA CSA EEV UR
Ambient Temperature	40 °C
Auxillary Box	No Auxillary Box
Auxillary Box Lead Termination	None
Base Indicator	Rigid
Bearing Grease Type	Polyrex EM (-20F +300F)
Blower	None
Current @ Voltage	19.000 A @ 230.0 V 9.500 A @ 460.0 V
Design Code	A
Drip Cover	No Drip Cover
Duty Rating	CONT
Efficiency @ 100% Load	91.7 %
Electrically Isolated Bearing	Not Electrically Isolated
Feedback Device	NO FEEDBACK
Front Shaft Indicator	None
Haz Area Temp Code	T3C
Heater Indicator	No Heater

Part detail

Revision	D
Type	AC
Mech. spec.	07H271
Base	
Status	PRD/A
Elec. spec.	07WGT510
Layout	07LYH271
Eff. date	02-15-2024
CD Diagram	CD0005
Poles	04
Leads	9#14
Proprietary	False
Created date	01-28-2021

High Voltage Full Load Amps	9.5 a
Insulation Class	B
Inverter Code	Not Inverter
KVA Code	J
Lifting Lugs	Standard Lifting Lugs
Locked Bearing Indicator	No Locked Bearing
Motor Lead Quantity/Wire Size	9 @ 14 AWG
Motor Lead Termination	Flying Leads
Motor Standards	NEMA
Motor Type	X0738M
Mounting Arrangement	F1
Number of Poles	4
Overall Length	19.90 IN
Power Factor	81
Product Family	General Purpose
Pulley End Bearing Type	Ball
Pulley Face Code	Standard
Pulley Shaft Indicator	Standard
Rodent Screen	None
Service Factor	1.00
Shaft Diameter	1.375 IN
Shaft Ground Indicator	No Shaft Grounding
Shaft Rotation	Reversible
Shaft Slinger Indicator	No Slinger
Speed	1770 rpm
Speed Code	Single Speed
Starting Method	Direct on line
Thermal Device - Bearing	None
Thermal Device - Winding	Normally Closed Thermostat
Vibration Sensor Indicator	No Vibration Sensor
Winding Thermal 1	None
Winding Thermal 2	None

Nameplate

NP1426XPSLEV					
NO.		CC	010A		
SER.					
SPEC.	07H271T510G1				
CAT.NO.	EM7147T				
HP	7.5	T. CODE	T3C		
VOLTS	230/460				
AMPS	19/9.5				
RPM	1770				
HZ	60	PH	3	CL	B
SER.F.	1.00	DES	A	CODE	J
RATING	40C AMB-CONT				
FRAME	213T	NEMA-NOM-EFF		91.7	
		PF	81		
BLANK					

AC Induction Motor Performance Data

Record # 86634

Preliminary Data Sheet

Winding: 07WGT510-R007		Type: 0738M	Enclosure: XPFC		
Nameplate Data		460 V, 60 Hz: High Voltage Connection			
Rated Output (HP)	7.5	Full Load Torque	22.3 LB-FT		
Volts	230/460	Start Configuration	direct on line		
Full Load Amps	19/9.5	Breakdown Torque	69.1 LB-FT		
R.P.M.	1770	Pull-up Torque	28.7 LB-FT		
Hz	60 Phase	3	Locked-rotor Torque	39.1 LB-FT	
NEMA Design Code	A	KVA Code	J	Starting Current	67.4 A
Service Factor (S.F.)	1	No-load Current	4.07 A		
NEMA Nom. Eff.	91.7	Power Factor	81	Line-line Res. @ 25°C	1.55 Ω
Rating - Duty	40C	AMB-CONT		Temp. Rise @ Rated Load	48°C
S.F. Amps	21.4/10.7			Temp. Rise @ S.F. Load	
				Locked-rotor Power Factor	41.2
				Rotor inertia	0.934 lb-ft ²

Load Characteristics 460 V, 60 Hz, 7.5 HP

% of Rated Load	25	50	75	100	125	150
Power Factor	44	66	76	81	84	85
Efficiency	88	91.7	92.2	91.7	90.7	89.3
Speed	1792	1785	1777	1769	1759	1749
Line amperes	4.61	5.85	7.48	9.43	11.6	13.9

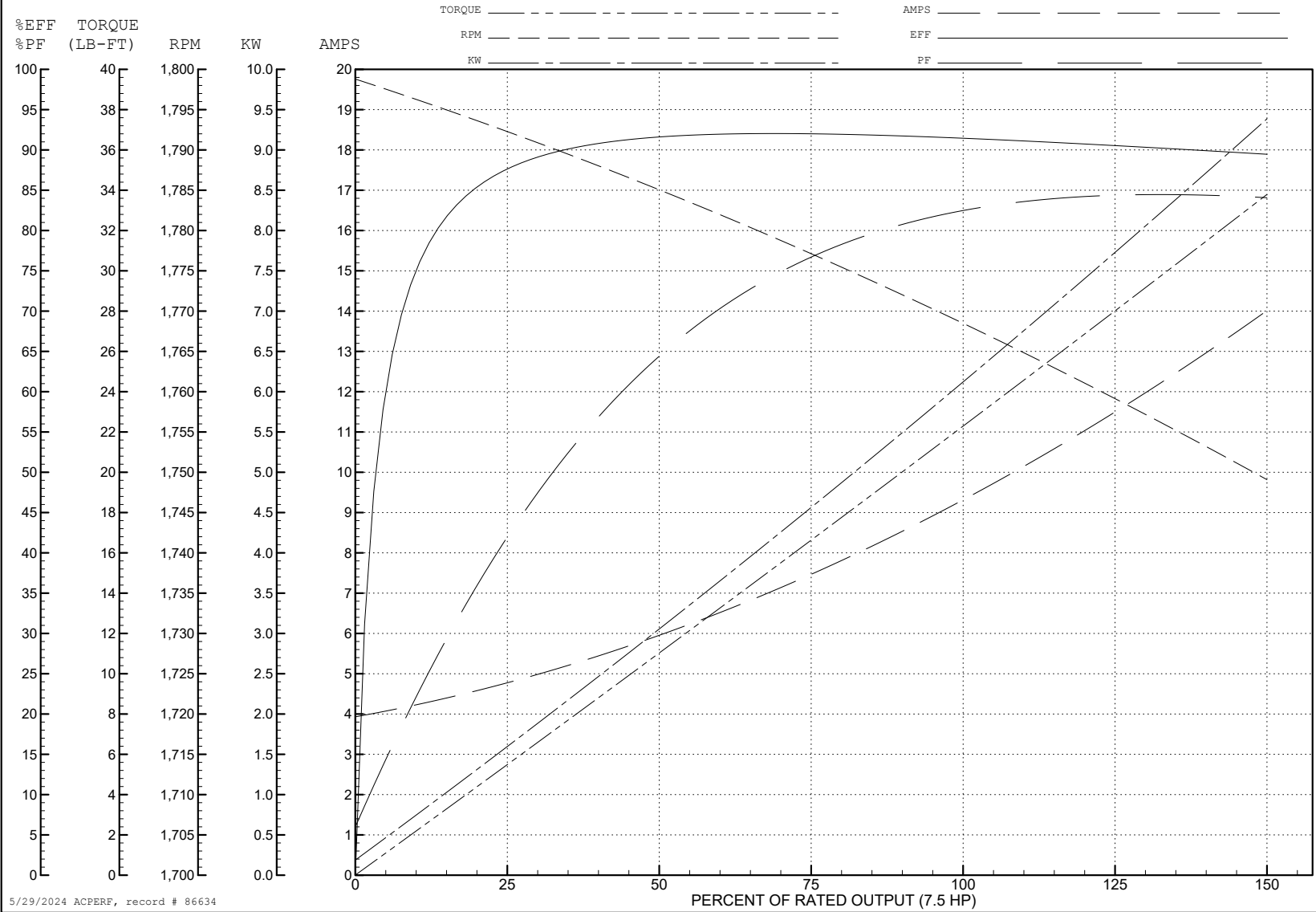
ABB Motors and Mechanical Inc.

WINDING # 07WGT510

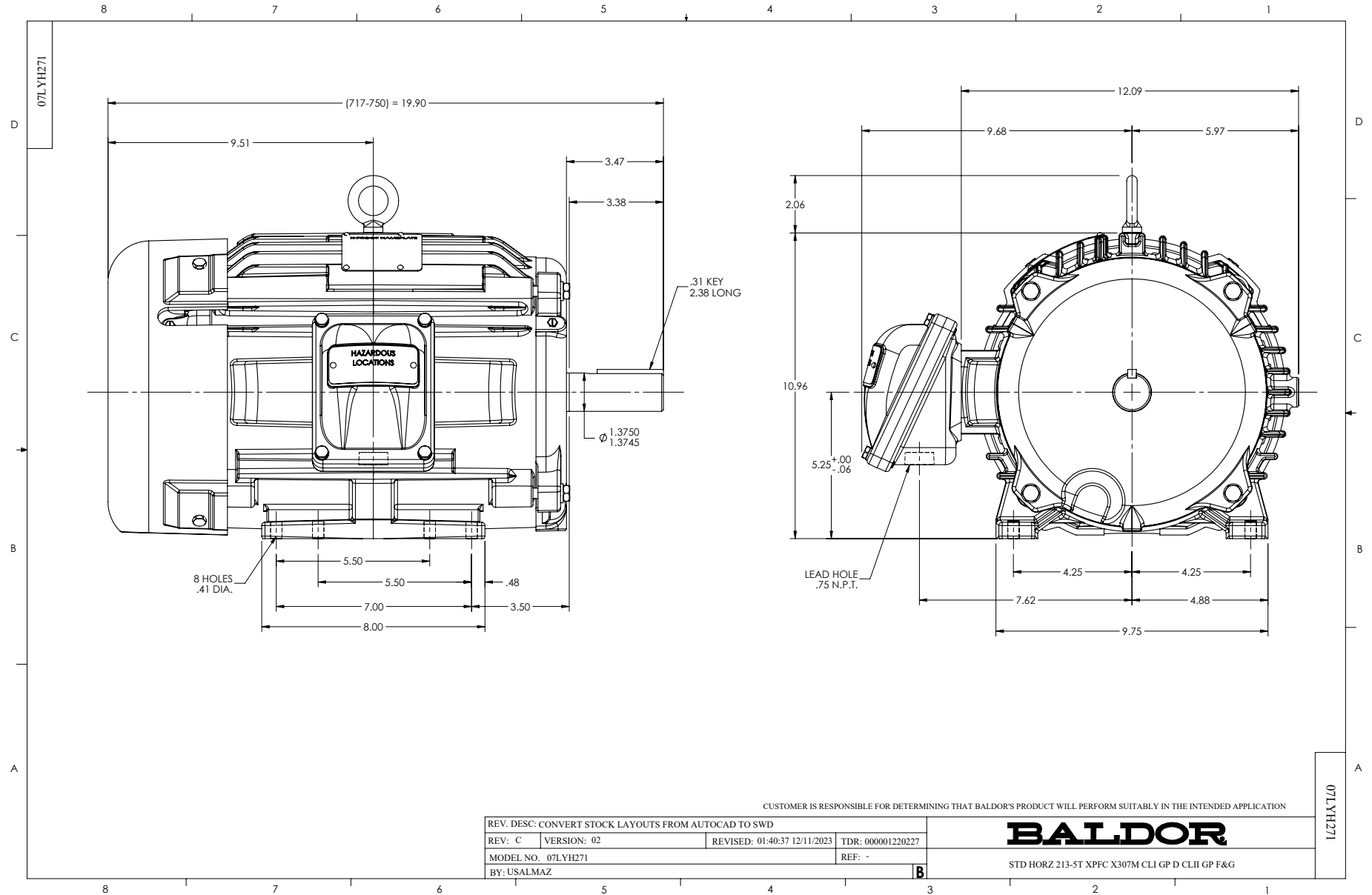
7.5 HP 3 PH 60 HZ 1770 RPM 460 V 0738M

Typical performance - not guaranteed values.

TORQUES (LB-FT): PO=69.1 PU=28.7 LR=39.1 LRA=67.4



5/29/2024 ACPERF, record # 86634



CD0005



LOW VOLTAGE
(2Y)



LINE

HIGH VOLTAGE
(1Y)



LINE

NOTES:

1. INTERCHANGE ANY TWO LINE LEADS TO REVERSE ROTATION.
2. OPTIONAL THERMOSTATS ARE PROVIDED WHEN SPECIFIED.
3. ACTUAL NUMBER OF INTERNAL PARALLEL CIRCUITS MAY BE A MULTIPLE OF THOSE SHOWN ABOVE.
4. LEAD COLORS ARE OPTIONAL. LEADS MUST ALWAYS BE NUMBERED AS SHOWN.

CD0005

REV. DESC: REVISE TO SHOW OPTIONAL COLORS			
REV. LTR: E	BY: JLP	REVISED: 01/19/99 10:15	TDR: 0171435
S00000		FILE: AAA00005140	MDL: -
		MTL: -	

BALDOR ELECTRIC Co.

3PH, DV, 9 LEADS