

# ABB BALDOR RELIANCE III

---

## Customer information packet

### EM4468T

60HP, 890RPM, 3PH, 60HZ, 405T, TEFC, F1

Class - None

Division - Not Applicable

**Specifications**

<b>Enclosure</b>	TEFC
<b>Frame</b>	405T
<b>Frame Material</b>	Iron
<b>Frequency</b>	60.00 Hz
<b>Haz Area Class and Group</b>	None
<b>Haz Area Division</b>	Not Applicable
<b>Motor Letter Type</b>	Three Phase
<b>Output @ Frequency</b>	60.000 HP @ 60 HZ
<b>Phase</b>	3
<b>Synchronous Speed @ Frequency</b>	900 RPM @ 60 HZ
<b>Voltage @ Frequency</b>	230.0 V @ 60 HZ 460.0 V @ 60 HZ
<b>Agency Approvals</b>	CURUSEEV
<b>Ambient Temperature</b>	40 °C
<b>Auxiliary Box</b>	NO AUXILLARY BOX
<b>Base Indicator</b>	Rigid
<b>Bearing Grease Type</b>	Polyrex EM (-20F +300F)
<b>Current @ Voltage</b>	152.000 A @ 230.0 V 76.000 A @ 460.0 V
<b>Design Code</b>	B
<b>Drip Cover</b>	No Drip Cover
<b>Duty Rating</b>	CONT
<b>Efficiency @ 100% Load</b>	93.0 %
<b>Feedback Device</b>	NO FEEDBACK
<b>Heater Indicator</b>	No Heater
<b>High Voltage Full Load Amps</b>	76.0 a
<b>Insulation Class</b>	F
<b>Inverter Code</b>	Inverter Ready
<b>IP Rating</b>	NONE
<b>KVA Code</b>	F
<b>Motor Lead Quantity/Wire Size</b>	3 @ 4 AWG
<b>Motor Standards</b>	NEMA

**Part Detail**

<b>Revision</b>	E
<b>Type</b>	AC
<b>Mech. spec.</b>	
<b>Base</b>	
<b>Status</b>	PRD/A
<b>Elec. spec.</b>	A40WG0790
<b>Layout</b>	617429-001
<b>Eff. date</b>	11-01-2021
<b>CD Diagram</b>	416820-002
<b>Poles</b>	08
<b>Leads</b>	3#4,6#6
<b>Proprietary</b>	False
<b>Created date</b>	04-02-2015

<b>Motor Type</b>	A40060M
<b>Mounting Arrangement</b>	F1
<b>Number of Poles</b>	8
<b>Overall Length</b>	38.20 IN
<b>Power Factor</b>	79
<b>Product Family</b>	General Industrial
<b>Pulley End Bearing Type</b>	Ball
<b>Pulley Face Code</b>	Standard
<b>Service Factor</b>	1.15
<b>Shaft Diameter</b>	2.875 IN
<b>Shaft Ground Indicator</b>	No Shaft Grounding
<b>Shaft Rotation</b>	Reversible
<b>Shaft Slinger Indicator</b>	No Slinger
<b>Speed</b>	890 rpm
<b>Speed Code</b>	Single Speed
<b>Starting Method</b>	Direct on line
<b>Thermal Device - Winding</b>	None

**Nameplate**

<b>NP2496L</b>
MOBIL POLYREX EM

**NP2349L**

<b>SPEC NO.</b>	A40-6568-0790	<b>CAT.NO.</b>	EM4468T	<b>FRAME</b>	405T
<b>HP</b>	60	<b>VOLTS</b>	230/460	<b>PHASE</b>	3
<b>RPM</b>	890	<b>AMPS</b>	152/76	<b>DESIGN</b>	B
<b>DRIVE END BEARING</b>	80BC03J30X	<b>DUTY</b>	CONT	<b>TYPE</b>	P
<b>OPP D.E. BEARING</b>	80BC03J30X	<b>ENCL</b>	TEFC	<b>INSUL.CLASS</b>	F
<b>SER.NO.</b>		<b>CODE</b>	F	<b>AMB</b>	40
		<b>POWER FACTOR</b>	79	<b>SF</b>	1.15
				<b>NEMA-NOM-EFFICIENCY</b>	93
				<b>MAX CORR KVAR</b>	20
				<b>GUARANTEED EFFICIENCY</b>	91.7
				<b>NEMA NOM/CSA QUOTED EFF</b>	
				<b>MOTOR WEIGHT</b>	1186

REL. S.O.	FRAME	HP	TYPE	PHASE/ HERTZ	RPM	VOLTS	
	405T	60	P	3/60	890	230/460	
AMPS	DUTY	AMB °C/ INSUL.	S.F.	NEMA DESIGN	CODE LETTER	ENCL.	
152/76	CONT	40/F	1.15	B	F	FCXE	
E/S	ROTOR	TEST S.O.	TEST DATE	STATOR RES. @25 °C OHMS (BETWEEN LINES)			
496302	418142071BE	---	---	.0285/.114			
<b>PERFORMANCE</b>							
LOAD	HP	AMPERES	RPM	% POWER FACTOR	% EFFICIENCY		
NO LOAD	0	37.2	900	3.70	0		
1/4	15.0	40.7	897	38.4	90.2		
2/4	30.0	49.5	894	60.9	93.3		
3/4	45.0	61.6	891	73.0	93.7		
4/4	60.0	76.0	888	79.3	93.3		
5/4	75.0	92.3	884	82.3	92.4		
<b>SPEED TORQUE</b>							
		RPM	TORQUE % FULL LOAD	TORQUE LB.-FT.	AMPERES		
LOCKED ROTOR		0	148	525	405		
PULL UP		280	127	451	380		
BREAKDOWN		844	225	800	235		
FULL LOAD		888	100	355	76.0		
<p>AMPERES SHOWN FOR 460. VOLT CONNECTION. IF OTHER VOLTAGE CONNECTIONS ARE AVAILABLE, THE AMPERES WILL VARY INVERSELY WITH THE RATED VOLTAGE</p> <p>REMARKS: XE MOTOR-TYPICAL DATA-NEMA NOM. EFF. 93.0 PCT. GUARANTEED MIN. EFF. 92.4 PCT.</p>							
<b>BALDOR</b>		DR. BY <u>P. B. GREENE</u>		<b>A-C MOTOR PERFORMANCE A40WG0790-R001 DATA</b>			
		CK. BY <u>K. W. KANOUFF</u>					ISSUE DATE <u>10/16/90</u>
		APP. BY <u>K. W. KANOUFF</u>					
		DATE <u>10/16/90</u>					



ENCLOSURE: TOTALLY ENCLOSED

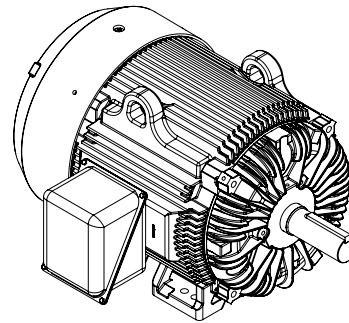
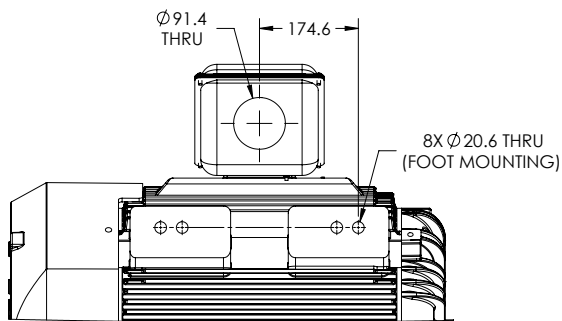
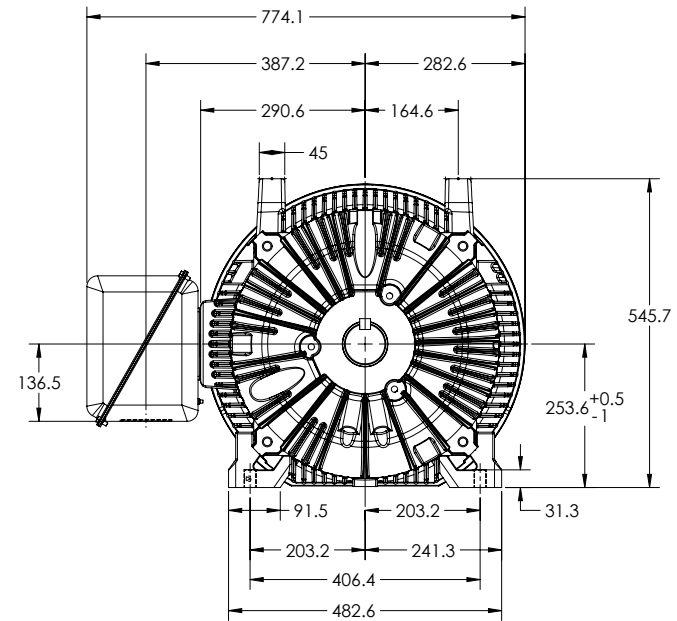
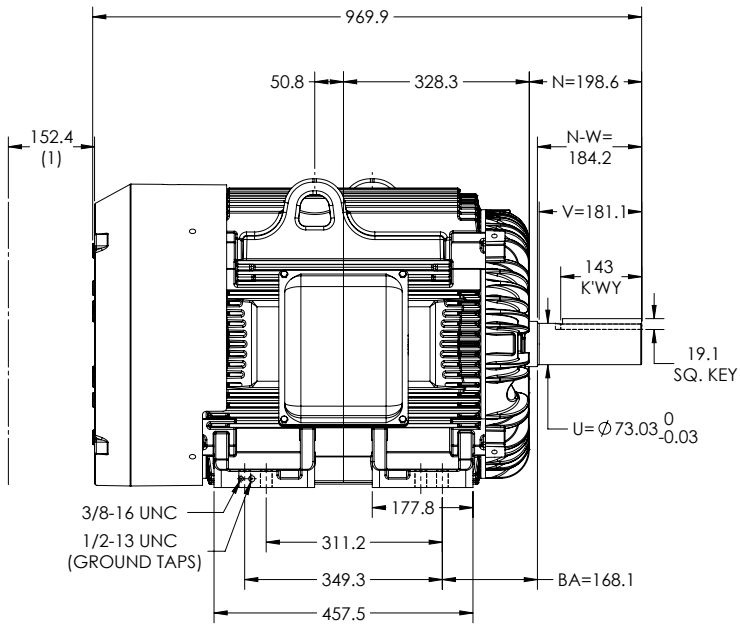
MOUNTING: FOOT, F1

**DUTY MASTER ALTERNATING CURRENT MOTORS**  
SQUIRREL-CAGE INDUCTION

G405T/G404T FRAME MOUNTING HOLES

COOLING: FAN COOLED

STEEL CONDUIT BOX



(1) OBSTRUCTION MUST NOT ENCROACH ON AIR INLET.

IF MOUNTING CLEARANCE DETAILS ARE REQUIRED, CONSULT FACTORY.

MAX PERMISSIBLE SHAFT RUNOUT WHEN MEASURED AT END OF STANDARD SHAFT EXTENSION IS .08 T.I.R.

DIMENSIONS ARE IN MILLIMETERS.  
MOTOR WEIGHT: 612, MAY VARY BY 15% DEPENDING ON RATING.  
CUSTOMER IS RESPONSIBLE FOR DETERMINING THAT MOTOR PERFORMANCE IS SUITABLE IN THE APPLICATION.

REV. DESC: CHG D.E. BRKT WITHOUT FACE DRAINS				<b>BALDOR</b>	
REV: D	VERSION: 04	REVISED: 11-04-59 03:09:2022	TDR: 000001187401		
MODEL NO. 617429-001			REF:		
BY: RAGGDM	Material:			G405T-404T STD TEFC F1 FOOTED STEEL CONDUIT BOX	

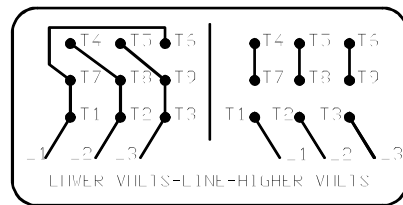
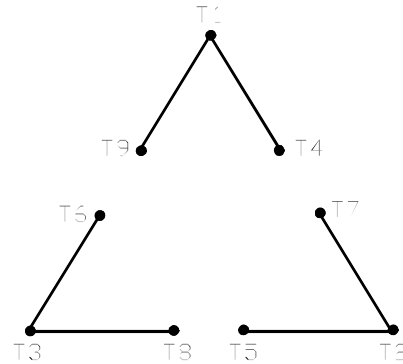
SHEET NUMBER  
**2 OF 2**

100-627219

617429-001

416820-002

A-C MOTOR  
CONNECTION DIAGRAM  
STANDARD 9 LEAD DELTA-CONNECTED



(N.P. 1575-B)

416820-002

REV. DESC: FONT CHANGE FOR PDF SEARCHABLE		
REV. LTR: A	VERSION: 01	TDR: 000001009382
FILE: \MGA\00000\661	REVISED: 02:46:19 02/13/2020	BY: MGHMTT
MTL: -	© □	

**BALDOR - RELIANCE®**

CONN DIAG - STANDARD 9 LEAD, DELTA-CONNECTED

SH 1 of 1