



---

# Customer information packet

## EM4412T-4

125HP, 3570RPM, 3PH, 60HZ, 444TS, A4468M, TEFC

Class - None

Division - Not Applicable

## Specifications

Enclosure	TEFC
Frame	444TS
Frame Material	Iron
Frequency	60.00 Hz
Haz Area Class and Group	None
Haz Area Division	Not Applicable
Motor Letter Type	Three Phase
Output @ Frequency	125.000 HP @ 60 HZ
Phase	3
Synchronous Speed @ Frequency	3600 RPM @ 60 HZ
Voltage @ Frequency	460.0 V @ 60 HZ
Agency Approvals	CCSAUSEEV
Ambient Temperature	40 °C
Auxillary Box	No Auxillary Box
Base Indicator	Rigid
Bearing Grease Type	Polyrex EM (-20F +300F)
Current @ Voltage	137.000 A @ 460.0 V
Design Code	B
Drip Cover	No Drip Cover
Duty Rating	CONT
Efficiency @ 100% Load	95.0 %
Feedback Device	NO FEEDBACK
Heater Indicator	No Heater
High Voltage Full Load Amps	137.0 a
Insulation Class	F
Inverter Code	Inverter Ready
KVA Code	F
Lifting Lugs	Standard Lifting Lugs
Motor Lead Quantity/Wire Size	6 @ 2 AWG
Motor Standards	NEMA
Motor Type	A4468M
Mounting Arrangement	F1

## Part detail

Revision	R
Type	AC
Mech. spec.	
Base	
Status	PRD/A
Elec. spec.	A44WG3534
Layout	617427-004
Eff. date	09-04-2024
CD Diagram	416820-036
Poles	02
Leads	3#2 (02 per group)
Proprietary	False
Created date	08-09-2012

<b>Number of Poles</b>	2
<b>Overall Length</b>	40.83 IN
<b>Power Factor</b>	89
<b>Product Family</b>	Other
<b>Pulley End Bearing Type</b>	Ball
<b>Pulley Face Code</b>	Standard
<b>Service Factor</b>	1.15
<b>Shaft Diameter</b>	2.375 IN
<b>Shaft Ground Indicator</b>	No Shaft Grounding
<b>Shaft Rotation</b>	Reversible
<b>Speed</b>	3570 rpm
<b>Speed Code</b>	Single Speed
<b>Starting Method</b>	Direct on line
<b>Thermal Device - Bearing</b>	None
<b>Thermal Device - Winding</b>	None

**Nameplate**

**NP2349L**

<b>SPEC NO.</b>	P44G3901	<b>CAT.NO.</b>	EM4412T-4	<b>FRAME</b>	444TS
<b>HP</b>	125	<b>VOLTS</b>	460	<b>PHASE</b>	3
<b>RPM</b>	3570	<b>AMPS</b>	137	<b>DESIGN</b>	B
<b>DRIVE END BEARING</b>	65BC03J30X	<b>DUTY</b>	CONT	<b>TYPE</b>	P
<b>OPP D.E. BEARING</b>	65BC03J30X	<b>INSUL.CLASS</b>	F	<b>HZ</b>	60
<b>SER.NO.</b>		<b>ENCL</b>	TEFC	<b>AMB</b>	40
		<b>CODE</b>	F	<b>SF</b>	1.15
		<b>POWER FACTOR</b>	89	<b>NEMA-NOM-EFFICIENCY</b>	95
				<b>MAX CORR KVAR</b>	18.0
				<b>GUARANTEED EFFICIENCY</b>	94.1
				<b>NEMA NOM/CSA QUOTED EFF</b>	
				<b>MOTOR WEIGHT</b>	

**Accessories**

<b>Part number</b>	<b>Description</b>	<b>Multiplier</b>
089490104B	BRKT,DE 089490103WCA, C-Face	P1
089490108A	D-FLANGE EP MACHINING, G28 W/6313 BRG	P1

617427-004

# DUTY MASTER ALTERNATING CURRENT MOTORS

## SQUIRREL-CAGE INDUCTION

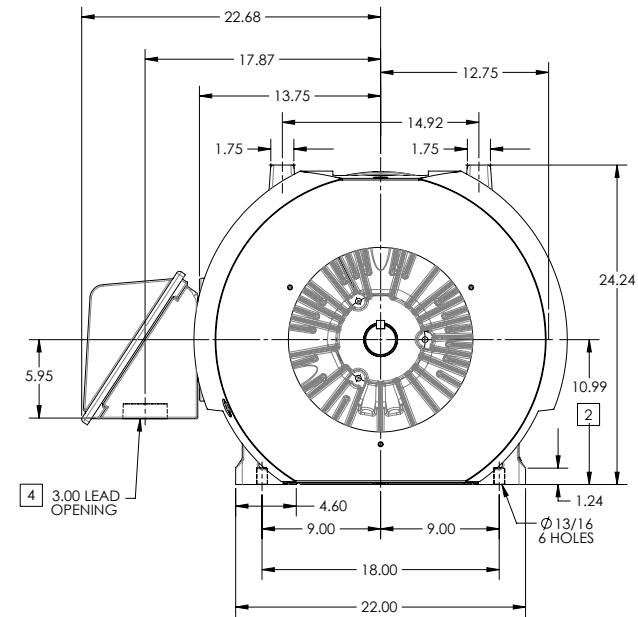
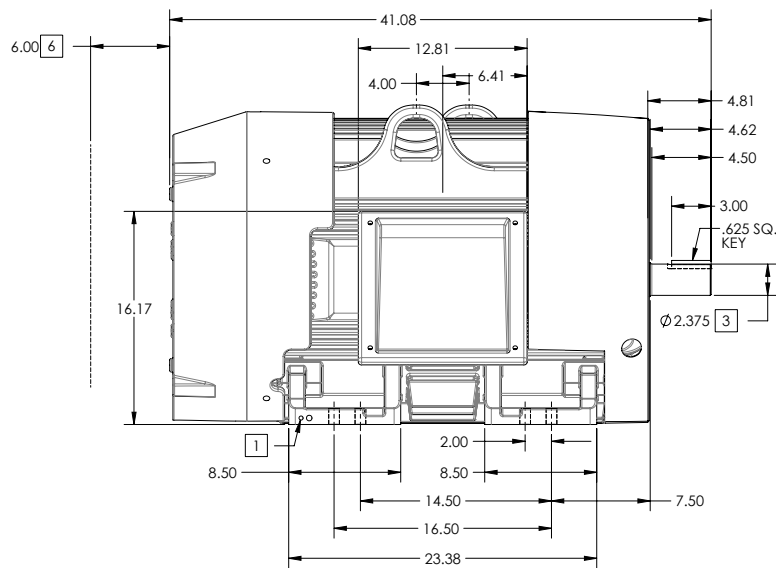
ENCLOSURE: TOTALLY ENCLOSED

FRAME G445TS ABOVE NEMA RATINGS

COOLING: FAN COOLED

MOUNTING: FOOT

INCLUDES 444TS FRAME MOUNTING HOLES



- 1. GROUND HOLES QTY 1 1/2-13 TAP; QTY 1 3/8-16 TAP
- 2. VARIES +.00,-.06
- 3. VARIES +.00,-.001
- 4. ON STANDARD MOTORS THIS IS CONDUIT SIZE. ON XT AND CORROSION PROOF MOTOR THIS IS PIPE TAP.
- 5. MOTOR WEIGHTS MAY VARY BY 1.5% DEPENDING ON RATING.
- 6. OBSTRUCTION MUST NO ENCROACH ON AIR INLET

CONDUIT BOX LOCATED ON OPPOSITE SIDE WHEN F-2.  
IF MOUNTING CLEARANCE DETAILS ARE REQUIRED, CONSULT FACTORY.  
MAXIMUM PERMISSIBLE SHAFT RUNOUT WHEN MEASURED AT END OF STANDARD SHAFT EXTENSION IS .003" T.I.R. TO 5 INCH DIA.

**[5] WEIGHT (LBS): 2100**

DRIVE END AIR DEFLECTOR IS ONLY INCLUDED WHEN NECESSARY.

DIMENSIONS ARE IN INCHES; SEE SHEET 2 FOR DIMENSIONS IN MILLIMETERS

CUSTOMER IS RESPONSIBLE FOR DETERMINING THAT MOTOR PERFORMANCE IS SUITABLE IN THE APPLICATION.

SHEET NUMBER  
**1 OF 2**

FIG 007-2727-19

REV. DESC: ADJUSTED OVERALL LENGTH DIMENSION	TDR: 000000816614
REV: D VERSION: 04 REVISED: 01-45-46 09/09/2013	REF:
MODEL NO. 617427-004	REF:
BY: RAGSS1 Material:	

**BALDOR**

G445TS-444TS STD - FOOTED - SIDE-CENTER C/B

617427-004

617427-004

# DUTY MASTER ALTERNATING CURRENT MOTORS

## SQUIRREL-CAGE INDUCTION

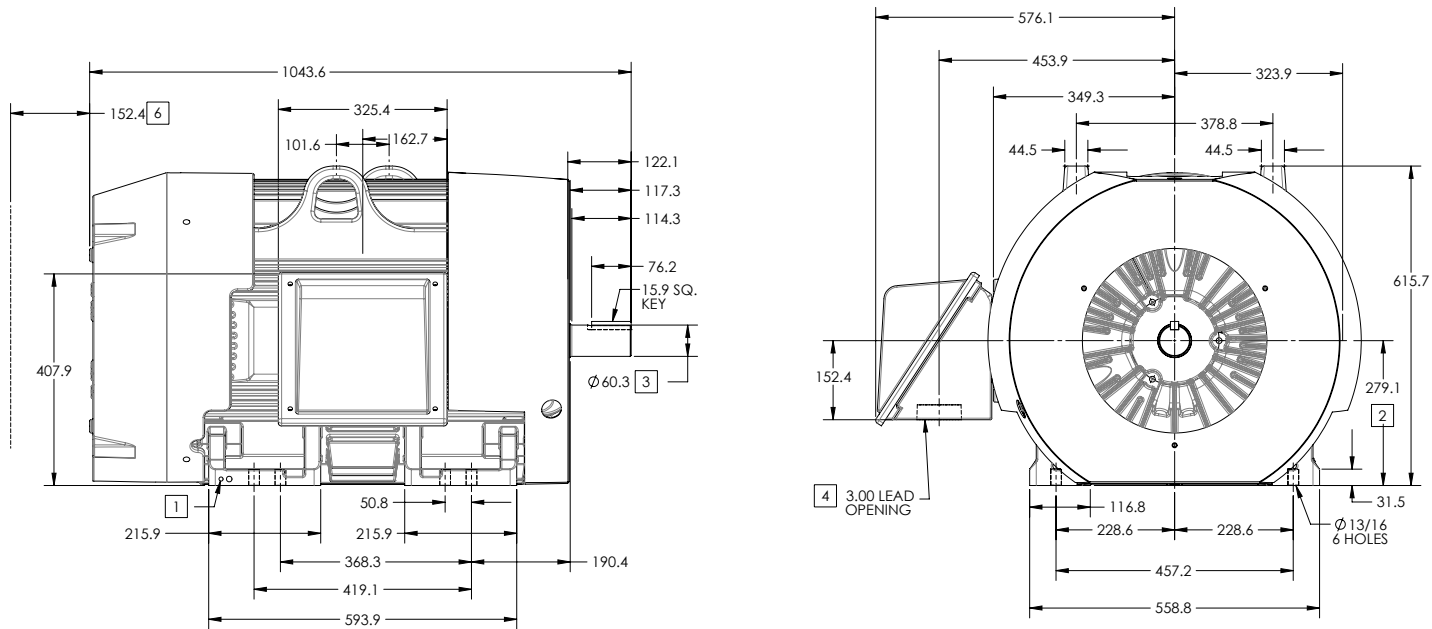
ENCLOSURE: TOTALLY ENCLOSED

FRAME G445TS ABOVE NEMA RATINGS

COOLING: FAN COOLED

MOUNTING: FOOT

INCLUDES 444TS FRAME MOUNTING HOLES



- 1. GROUND HOLES QTY 1 1/2-13 TAP; QTY 1 3/8-16 TAP
- 2. VARIES +.00,-.06
- 3. VARIES +.00,-.001
- 4. ON STANDARD MOTORS THIS IS CONDUIT SIZE. ON XT AND CORROSION PROOF MOTOR THIS IS PIPE TAP.
- 5. MOTOR WEIGHTS MAY VARY BY 15% DEPENDING ON RATING.
- 6. OBSTRUCTION MUST NO ENCROACH ON AIR INLET

CONDUIT BOX LOCATED ON OPPOSITE SIDE WHEN F-2.  
IF MOUNTING CLEARANCE DETAILS ARE REQUIRED, CONSULT FACTORY.  
MAXIMUM PERMISSIBLE SHAFT RUNOUT WHEN MEASURED AT END OF STANDARD SHAFT EXTENSION IS .08 MM T.I.R. TO 127 MM DIA.

**[5] WEIGHT (KGS): 950**

DRIVE END AIR DEFLECTOR IS ONLY INCLUDED WHEN NECESSARY.

DIMENSIONS ARE IN MILLIMETERS; SEE SHEET 1 FOR DIMENSIONS IN INCHES

CUSTOMER IS RESPONSIBLE FOR DETERMINING THAT MOTOR PERFORMANCE IS SUITABLE IN THE APPLICATION.

SHEET NUMBER  
**2 OF 2**

FIGURE NUMBER  
100-2727-19

REV. D	VERSION: 04	REVISED: 01-45-46 09/09/2013	TDR: 000000816614
MODEL NO. 617427-004	REF:		
BY: RAGSS1	Material:		

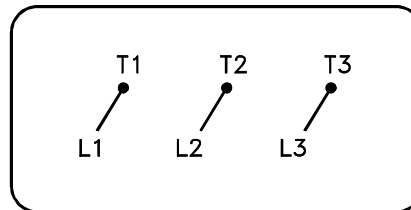
**BALDOR**

G445TS-444TS STD - FOOTED - SIDE-CENTER C/B

617427-004

416820-036

A-C MOTOR  
CONNECTION DIAGRAM  
STANDARD 3 LEAD CONNECTED



(N.P. 1575-BA)

416820-036

REV. DESC: LOADED TO BUS, C/R 335225		
REV. LTR: -	VERSION: 00	TDR: 000000538207
FILE: \MGA\00000\682	REVISED: 11:54:06 04/30/2010	
MTL: -	BY: RAGRA	

**BALDOR**

CONN DIAG - STANDARD 3 LEAD  
SH 1 of 1