



---

# Customer information packet

## EM4411T-4

125HP, 1188RPM, 3PH, 60HZ, 445T, A44090M, TEFC

Class - None

Division - Not Applicable

## Specifications

Enclosure	TEFC
Frame	445T
Frame Material	Iron
Frequency	60.00 Hz
Motor Letter Type	Three Phase
Output @ Frequency	125.000 HP @ 60 HZ
Phase	3
Synchronous Speed @ Frequency	1200 RPM @ 60 HZ
Voltage @ Frequency	460.0 V @ 60 HZ
XP Class and Group	None
XP Division	Not Applicable
Agency Approvals	CSA EEV CCSA US
Ambient Temperature	40 °C
Auxillary Box	No Auxillary Box
Base Indicator	Rigid
Bearing Grease Type	Polyrex EM (-20F +300F)
Current @ Voltage	146.000 A @ 460.0 V
Design Code	B
Drip Cover	No Drip Cover
Duty Rating	CONT
Efficiency @ 100% Load	95.0 %
Feedback Device	NO FEEDBACK
Heater Indicator	No Heater
High Voltage Full Load Amps	146.0 a
Insulation Class	F
Inverter Code	Inverter Ready
KVA Code	F
Lifting Lugs	No Lifting Lugs
Motor Lead Quantity/Wire Size	6 @ 2 AWG
Motor Standards	NEMA
Motor Type	A44090M

## Part detail

Revision	M
Type	AC
Mech. spec.	
Base	
Status	PRD/A
Elec. spec.	A44WG1554
Layout	617427-001
Eff. date	11-04-2022
CD Diagram	416820-008
Poles	06
Leads	6#2
Proprietary	False
Created date	08-13-2012

<b>Mounting Arrangement</b>	F1
<b>Number of Poles</b>	6
<b>Overall Length</b>	44.75 IN
<b>Power Factor</b>	84
<b>Pulley End Bearing Type</b>	Ball
<b>Pulley Face Code</b>	Standard
<b>Service Factor</b>	1.15
<b>Shaft Ground Indicator</b>	No Shaft Grounding
<b>Shaft Rotation</b>	Reversible
<b>Shaft Slinger Indicator</b>	Shaft Slinger
<b>Speed</b>	1188 rpm
<b>Speed Code</b>	Single Speed
<b>Starting Method</b>	Wye Start - Delta Run
<b>Thermal Device - Bearing</b>	None
<b>Thermal Device - Winding</b>	None

**Nameplate**

**NP2383L**

<b>CAT.NO.</b>	EM4411T-4	<b>SPEC NO.</b>	P44G3905						
<b>HP</b>	125	<b>AMPS</b>	146	<b>VOLTS</b>	460	<b>DESIGN</b>	B		
<b>FRAME</b>	445T	<b>RPM</b>	1188	<b>HZ</b>	60	<b>AMB</b>	40	<b>SF</b>	1.15
<b>DRIVE END BEARING</b>	90BC03J30X	<b>PHASE</b>	3	<b>DUTY</b>	CONT	<b>INSUL.CLASS</b>	F		
<b>OPP D.E. BEARING</b>	90BC03J30X	<b>TYPE</b>	P	<b>ENCL</b>	TEFC	<b>CODE</b>	F		
<b>SER.NO.</b>		<b>POWER FACTOR</b>	84	<b>NEMA-NOM-EFFICIENCY</b>	95				
<b>NEMA NOM/CSA QUOTED EFF</b>		<b>MAX CORR KVAR</b>	30.0	<b>GUARANTEED EFFICIENCY</b>	94.5				
		<b>MOTOR WEIGHT</b>	2073						

**Accessories**

<b>Part number</b>	<b>Description</b>	<b>Multiplier</b>
089490106A	G28 C-FACE BRKT MACH-6318 089490105WCA	P1
089490110A	D-FLANGE BRKT, G28 089490109WCA	P1









617427-001

# DUTY MASTER ALTERNATING CURRENT MOTORS

## SQUIRREL-CAGE INDUCTION

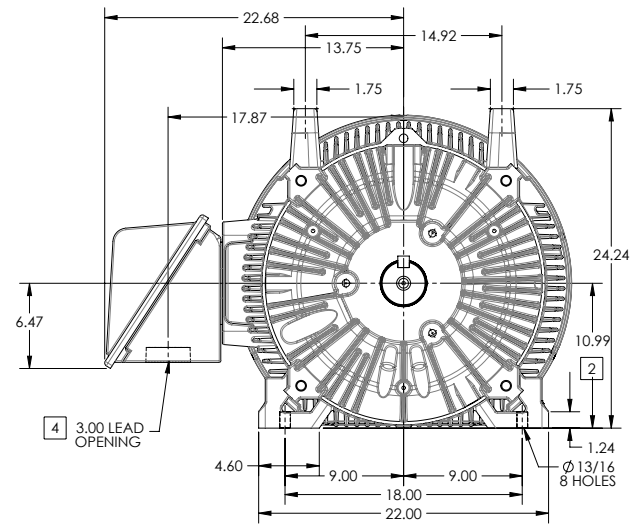
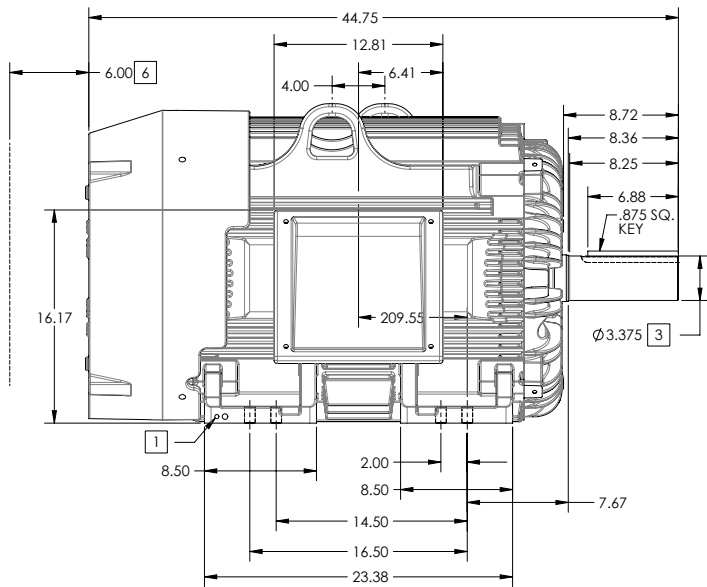
ENCLOSURE: TOTALLY ENCLOSED

FRAME G445T ABOVE NEMA RATINGS

COOLING: FAN COOLED

MOUNTING: FOOT

INCLUDES 444T FRAME MOUNTING HOLES



1. GROUND HOLES QTY 1 1/2-13 TAP; QTY 1 3/8-16 TAP
2. VARIES +.00,-.06
3. VARIES +.00,-.001
4. ON STANDARD MOTORS THIS IS CONDUIT SIZE. ON XT AND CORROSION PROOF MOTOR THIS IS PIPE TAP.
5. MOTOR WEIGHTS MAY VARY BY 15% DEPENDING ON RATING.
6. OBSTRUCTION MUST NOT ENCROACH ON AIR INLET

CONDUIT BOX LOCATED ON OPPOSITE SIDE WHEN F-2.  
IF MOUNTING CLEARANCE DETAILS ARE REQUIRED, CONSULT FACTORY.  
MAXIMUM PERMISSIBLE SHAFT RUNOUT WHEN MEASURED AT END OF  
STANDARD SHAFT EXTENSION IS .003" T.I.R. TO 5 INCH DIA.

**[5] WEIGHT (LBS): 2130**

DRIVE END AIR DEFLECTOR IS ONLY INCLUDED WHEN NECESSARY.

DIMENSIONS ARE IN INCHES; SEE SHEET 2 FOR DIMENSIONS IN MILLIMETERS

CUSTOMER IS RESPONSIBLE FOR DETERMINING THAT MOTOR PERFORMANCE IS SUITABLE IN THE APPLICATION.

SHEET NUMBER  
**1 OF 2**

100-2727-119

REV. DESC SHEET 2 NEEDS METRIC FOOT HOLE DIMENSION			
REV: E	VERSION: 05	REVISED: 09-22-56 06/12/2014	TDR: 00000857938
MODEL NO. 617427-001			REF:
BY: RAGRA	Material:		

**BALDOR**

G445T444T STD - FOOTED - SIDE CENTER CB

617427-001

# DUTY MASTER ALTERNATING CURRENT MOTORS

## SQUIRREL-CAGE INDUCTION

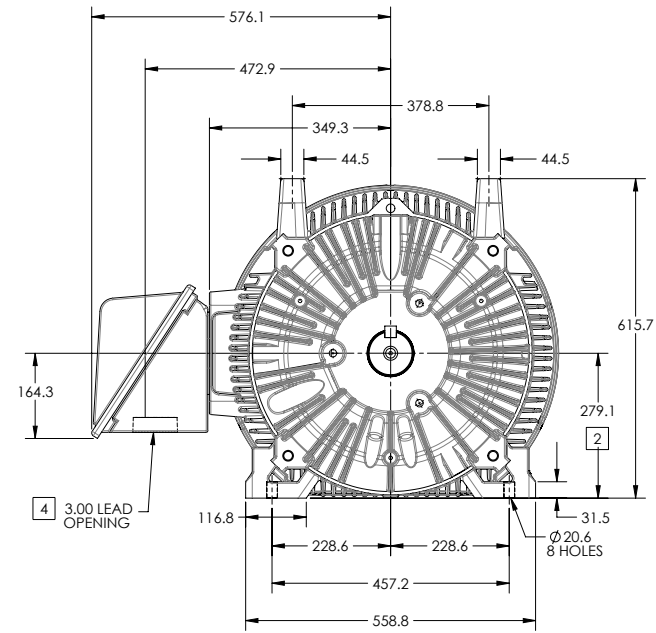
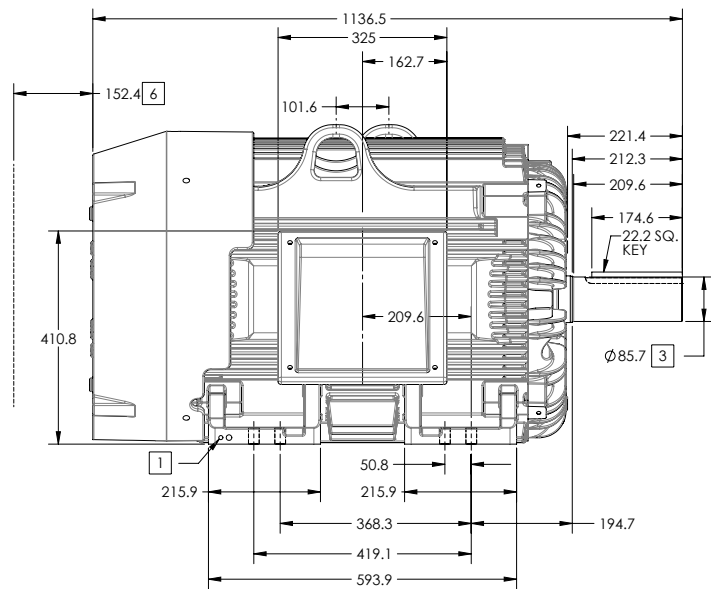
ENCLOSURE: TOTALLY ENCLOSED

FRAME G445T ABOVE NEMA RATINGS

COOLING: FAN COOLED

MOUNTING: FOOT

INCLUDES 444T FRAME MOUNTING HOLES



- 1. GROUND HOLES QTY 1 1/2-13 TAP; QTY 1 3/8-16 TAP
- 2. VARIES +0,-1.5
- 3. VARIES +.00,-.03
- 4. ON STANDARD MOTORS THIS IS CONDUIT SIZE. ON XT AND CORROSION PROOF MOTOR THIS IS PIPE TAP.
- 5. MOTOR WEIGHTS MAY VARY BY 15% DEPENDING ON RATING.
- 6. OBSTRUCTION MUST NOT ENCROACH ON AIR INLET

**[5] WEIGHT (KGS): 970**

DRIVE END AIR DEFLECTOR IS ONLY INCLUDED WHEN NECESSARY.

DIMENSIONS ARE IN MILLIMETERS; SEE SHEET 1 FOR DIMENSIONS IN INCHES

CUSTOMER IS RESPONSIBLE FOR DETERMINING THAT MOTOR PERFORMANCE IS SUITABLE IN THE APPLICATION.

CONDUIT BOX LOCATED ON OPPOSITE SIDE WHEN F-2.  
IF MOUNTING CLEARANCE DETAILS ARE REQUIRED, CONSULT FACTORY.  
MAXIMUM PERMISSIBLE SHAFT RUNOUT WHEN MEASURED AT END OF STANDARD SHAFT EXTENSION IS .08 MM T.I.R. TO 127 MM DIA.

SHEET NUMBER  
**2 OF 2**

100-LCFL19

REV. DESC: SHEET 2 NEEDS METRIC FOOT HOLE DIMENSION			
REV: E	VERSION: 05	REVISED: 09-22-56 06/12/2014	TDR: 00000857938
MODEL NO. 617427-001			REF:
BY: RAGRA	Material:		

**BALDOR**

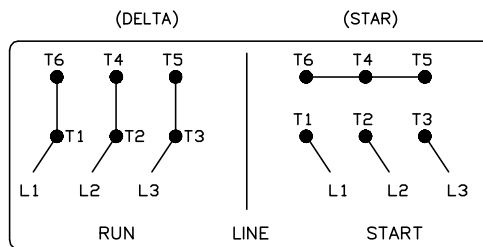
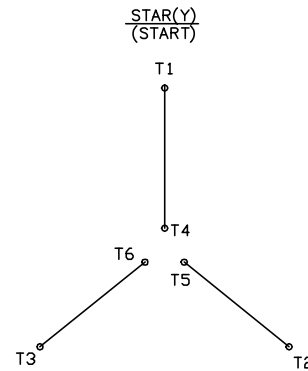
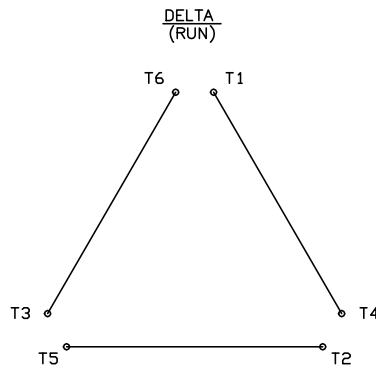
G445T444T STD - FOOTED - SIDE CENTER C/B

416820-008

# A-C MOTOR CONNECTION DIAGRAM

STANDARD 6 LEAD

Y START – DELTA RUN



< N. P. 1767-DC >

REV. DESC: ADDED T4 TO Y CONNECT DIAGRAM		
REV. LTR: D	VERSION: 04	TDR: 00000847713
FILE: \RAG\00001\808	REVISED: 10: 41: 26 04/08/2014	BY: RAGJSS1
MTL: -		© □

**BALDOR**

CONNECT DIAGRAM STD 6 LEAD Y START DELTA RUN

SH 1 of 1

416820-008