

**BALDOR • RELIANCE**

---

# Customer information packet

## EM4316T-G

75HP, 1780RPM, 3PH, 60HZ, 365T, A36070M, TEFC

Class - None

Division - Not Applicable

## Specifications

Enclosure	TEFC
Frame	365T
Frame Material	Iron
Frequency	50.00 Hz 60.00 Hz
Haz Area Class and Group	None
Haz Area Division	Not Applicable
Motor Letter Type	Three Phase
Output @ Frequency	75.000 HP @ 60 HZ 60.000 HP @ 50 HZ
Phase	3
Synchronous Speed @ Frequency	1500 RPM @ 50 HZ
Voltage @ Frequency	190.0 V @ 50 HZ 230.0 V @ 60 HZ 380.0 V @ 50 HZ 460.0 V @ 60 HZ
Agency Approvals	CSA EEV CCSA US
Ambient Temperature	40 °C
Auxillary Box	No Auxillary Box
Base Indicator	Rigid
Bearing Grease Type	Polyrex EM (-20F +300F)
Current @ Voltage	171.000 A @ 230.0 V 188.000 A @ 208.0 V 83.000 A @ 380.0 V 85.600 A @ 460.0 V 166.000 A @ 190.0 V
Design Code	B
Drip Cover	No Drip Cover
Duty Rating	CONT
Efficiency @ 100% Load	95.4 %
Feedback Device	NO FEEDBACK

## Part detail

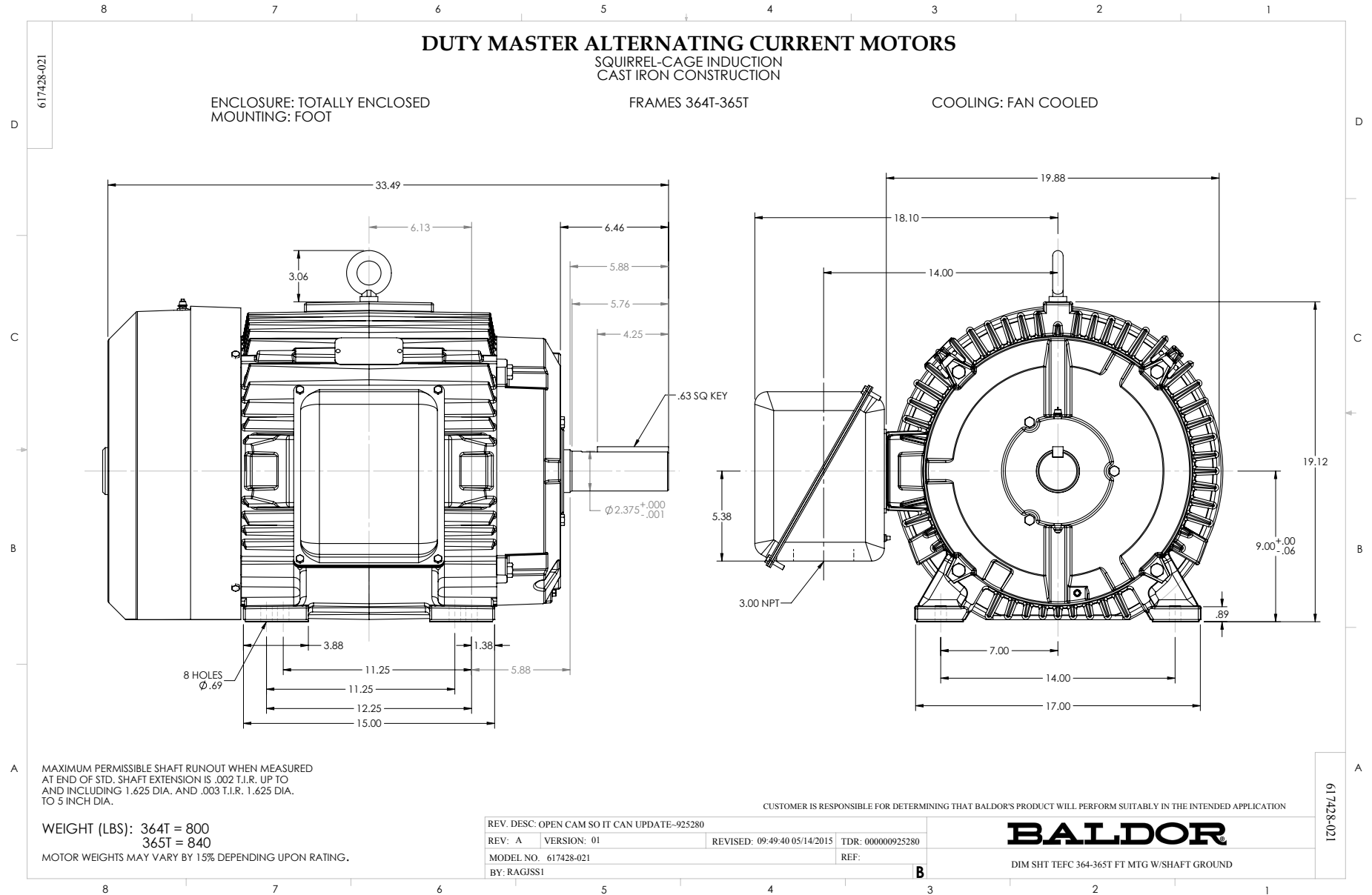
Revision	H
Type	AC
Mech. spec.	
Base	
Status	PRD/A
Elec. spec.	A36WG4076
Layout	617428-021
Eff. date	07-08-2024
CD Diagram	416820-002
Poles	04
Leads	3#4,6#6
Proprietary	False
Created date	04-22-2020

Heater Indicator	No Heater
High Voltage Full Load Amps	83.0 a
Insulation Class	H
Inverter Code	Inverter Ready
KVA Code	G
Lifting Lugs	Standard Lifting Lugs
Motor Lead Quantity/Wire Size	3 @ 4 AWG
Motor Standards	NEMA
Motor Type	A36070M
Mounting Arrangement	F1
Number of Poles	4
Overall Length	33.48 IN
Power Factor	86
Product Family	General Industrial
Pulley End Bearing Type	Ball
Pulley Face Code	Standard
Service Factor	1.15
Shaft Diameter	2.375 IN
Shaft Ground Indicator	Shaft Grounding
Shaft Rotation	Reversible
Shaft Slinger Indicator	No Slinger
Speed	1480 rpm 1780 rpm
Speed Code	Single Speed
Starting Method	Direct on line
Thermal Device - Bearing	None
Thermal Device - Winding	None

**Nameplate**

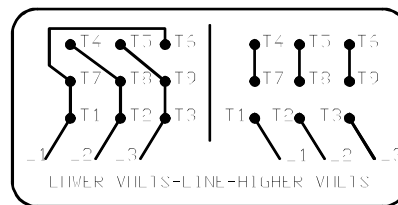
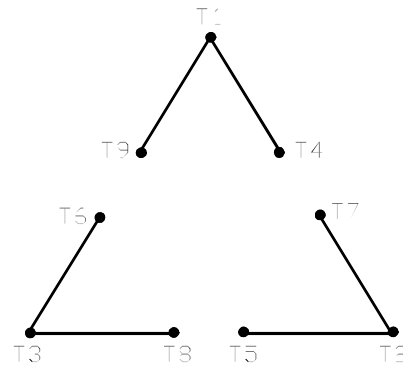
**NP3979LUA**

<b>CAT #</b>	EM4316T-G		<b>SER</b>			<b>CC</b>	010A						
<b>SPEC</b>	A36-0001-4076		<b>RATING</b>	40C AMB-CONT									
<b>HZ</b>	<b>VOLTS</b>		<b>AMPS</b>	<b>RPM</b>	<b>HP</b>	<b>CODE</b>	<b>SF</b>	<b>DES</b>	<b>PF</b>	<b>NEMA NOM. EFF</b>			
60	230/460		172/86	1780	75	G	1.15	B	86 %	95.4 %			
	-								%	%			
<b>PH</b>	3	<b>CL</b>	H	<b>MAX CORR KVAR</b>	15.8								
<b>BRG</b>	<b>DE</b>	6313	<b>ODE</b>	6313	<b>ENCL</b>	TEFC	<b>FR</b>	365T	54				
<b>GREASE</b>	POLYREX EM				<b>MTR WT</b>	956	<b>LBS</b>						
<b>USABLE AT</b>	50HZ 60HP 190/380V 168/84A				<b>SF1.0</b>								
<b>INVERTER DUTY</b>	<b>CT</b>	15-60	<b>HZ</b>	4:1	<b>VT</b>	3-60	<b>HZ</b>	20:1	<b>CHP</b>	60-90	<b>HZ</b>	1.5:1	<b>1.0 SF VPWM</b>
<b>MAX RPM</b>	2700												



416820-002

A-C MOTOR  
 CONNECTION DIAGRAM  
 STANDARD 9 LEAD DELTA-CONNECTED



(N.P. 1575-B)

416820-002

REV. DESC: FONT CHANGE FOR PDF SEARCHABLE		
REV. LTR: A	VERSION: 01	TDR: 000001009382
FILE: \MGA\00000\661	REVISED: 02:46:19 02/13/2020	BY: MGHMTT
MTL: -		© □

**BALDOR - RELIANCE®**

CONN DIAG - STANDARD 9 LEAD, DELTA-CONNECTED

SH 1 of 1