



Customer information packet

EM4117T

30HP, 1180RPM, 3PH, 60HZ, 326T, 1264M, TEFC, F1

Class - None

Division - Not Applicable

Specifications

| | |
|--------------------------------|----------------------------------------------------------------|
| Enclosure | TEFC |
| Frame | 326T |
| Frame Material | Iron |
| Frequency | 60.00 Hz |
| Haz Area Class and Group | None |
| Haz Area Division | Not Applicable |
| Motor Letter Type | Three Phase |
| Output @ Frequency | 30.000 HP @ 60 HZ |
| Phase | 3 |
| Synchronous Speed @ Frequency | 1200 RPM @ 60 HZ |
| Voltage @ Frequency | 230.0 V @ 60 HZ 460.0 V @ 60 HZ |
| Agency Approvals | CSA EEV NEMA PREMIUM NEMA_PREMIUM UR |
| Ambient Temperature | 40 °C |
| Auxillary Box | No Auxillary Box |
| Auxillary Box Lead Termination | None |
| Base Indicator | Rigid |
| Bearing Grease Type | Polyrex EM (-20F +300F) |
| Blower | None |
| Current @ Voltage | 82.000 A @ 208.0 V 78.000 A @ 230.0 V 39.000 A @ 460.0 V |
| Design Code | A |
| Drip Cover | No Drip Cover |
| Duty Rating | CONT |
| Efficiency @ 100% Load | 93.0 % |
| Electrically Isolated Bearing | Not Electrically Isolated |
| Feedback Device | NO FEEDBACK |
| Front Face Code | Standard |

Part detail

| | |
|--------------|------------|
| Revision | Q |
| Type | AC |
| Mech. spec. | 12C51 |
| Base | |
| Status | PRD/A |
| Elec. spec. | 12WGY812 |
| Layout | 12LYC051 |
| Eff. date | 06-27-2024 |
| CD Diagram | CD0005 |
| Poles | 06 |
| Leads | 9#8 |
| Proprietary | False |
| Created date | 07-25-2014 |

| | |
|-------------------------------|-----------------------|
| Front Shaft Indicator | None |
| Heater Indicator | No Heater |
| High Voltage Full Load Amps | 39.0 a |
| Insulation Class | F |
| Inverter Code | Inverter Duty |
| IP Rating | NONE |
| KVA Code | H |
| Lifting Lugs | Standard Lifting Lugs |
| Locked Bearing Indicator | Locked Bearing |
| Motor Lead Exit | Ko Box |
| Motor Lead Quantity/Wire Size | 9 @ 8 AWG |
| Motor Lead Termination | Flying Leads |
| Motor Standards | NEMA |
| Motor Type | 1264M |
| Mounting Arrangement | F1 |
| Number of Poles | 6 |
| Overall Length | 30.28 IN |
| Power Factor | 78 |
| Product Family | General Purpose |
| Pulley End Bearing Type | Ball |
| Pulley Face Code | Standard |
| Pulley Shaft Indicator | Standard |
| Rodent Screen | None |
| RoHS Status | ROHS NON-COMPLIANT |
| Service Factor | 1.15 |
| Shaft Diameter | 2.125 IN |
| Shaft Extension Location | Pulley End |
| Shaft Ground Indicator | No Shaft Grounding |
| Shaft Rotation | Reversible |
| Shaft Slinger Indicator | Shaft Slinger |
| Speed | 1180 rpm |
| Speed Code | Single Speed |
| Starting Method | Direct on line |
| Thermal Device - Bearing | None |

| | |
|-----------------------------------|---------------------|
| Thermal Device - Winding | None |
| Vibration Sensor Indicator | No Vibration Sensor |
| Winding Thermal 1 | None |
| Winding Thermal 2 | None |

Nameplate

NP3443LUA

| | | | | | | | |
|------------------|---------------------------|--------------------------------|-----------------------|-----------------------------------|----------------|----------------|--------------------|
| CAT.NO. | EM4117T | CUST. P/N | | | | ENCL | TEFC |
| SPEC. | 12C051Y812G1 | CC | 010A | FRAME | 326T | SER.NO. | |
| HP | 30 | CLASS | | F | HZ | 60 | |
| R.P.M. | 1180 | PH. | 3 | DES. | | A | |
| VOLTS | 230/460 | | CODE | H | ODE BRG | 6311 | DE BRG 6312 |
| AMPS | 78/39 | | | | | | |
| RATING | 40C AMB-CONT | | NEMA NOM. EFF. | | 93 | GREASE | POLYREX EM |
| P.F. | 78 | SER.F. | 1.15 | CT6-60H(10:1)VT3-60H(20:1) | | | |
| USABLE AT | 50Hz 30HP 190/380V 92/46A | | SF1.0 | | | | |
| VOLTS | AMPS | MAX. SPACE HEATER TEMP. | | | | | |

Accessories

| Part number | Description | Multiplier |
|--------------------|--------------------|-------------------|
| 12-1105 | C FACE KIT | A8 |
| 12EP1501A03SP | D-FLANGE KIT | A8 |

AC Induction Motor Performance Data

Record # 47164

Typical performance - not guaranteed values

| Winding: 12WGY812-R001 | | Type: 1264M | | Enclosure: TEFC | |
|------------------------|--------------|--------------|--------------------------------------------------|-------------------------|-----------|
| Nameplate Data | | | 460 V, 60 Hz: High Voltage Connection | | |
| Rated Output (HP) | 30 | | Full Load Torque | 133 LB-FT | |
| Volts | 230/460 | | Start Configuration | direct on line | |
| Full Load Amps | 78/39 | | Breakdown Torque | 370 LB-FT | |
| R.P.M. | 1180 | | Pull-up Torque | 179 LB-FT | |
| Hz | 60 | Phase | 3 | Locked-rotor Torque | 217 LB-FT |
| NEMA Design Code | A | KVA Code | H | Starting Current | 245 A |
| Service Factor (S.F.) | 1.15 | | No-load Current | 17.2 A | |
| NEMA Nom. Eff. | 93 | Power Factor | 78 | Line-line Res. @ 25°C | 0.22799 Ω |
| Rating - Duty | 40C AMB-CONT | | Temp. Rise @ Rated Load | 56°C | |
| S.F. Amps | | | Temp. Rise @ S.F. Load | 68°C | |
| | | | Locked-rotor Power Factor | 27.2 | |
| | | | Rotor inertia | 12.2 lb-ft ² | |

Load Characteristics 460 V, 60 Hz, 30 HP

| % of Rated Load | 25 | 50 | 75 | 100 | 125 | 150 | S.F. |
|-----------------|--------|--------|--------|--------|--------|--------|------|
| Power Factor | 42 | 63 | 73 | 78 | 80 | 80 | 79 |
| Efficiency | 89 | 92.7 | 93.4 | 93.1 | 92.4 | 91.4 | 92.7 |
| Speed | 1196.5 | 1191.9 | 1188.3 | 1183.2 | 1178.2 | 1171.8 | 1180 |
| Line amperes | 19.2 | 24.1 | 31 | 38.7 | 47.5 | 57.3 | 44 |

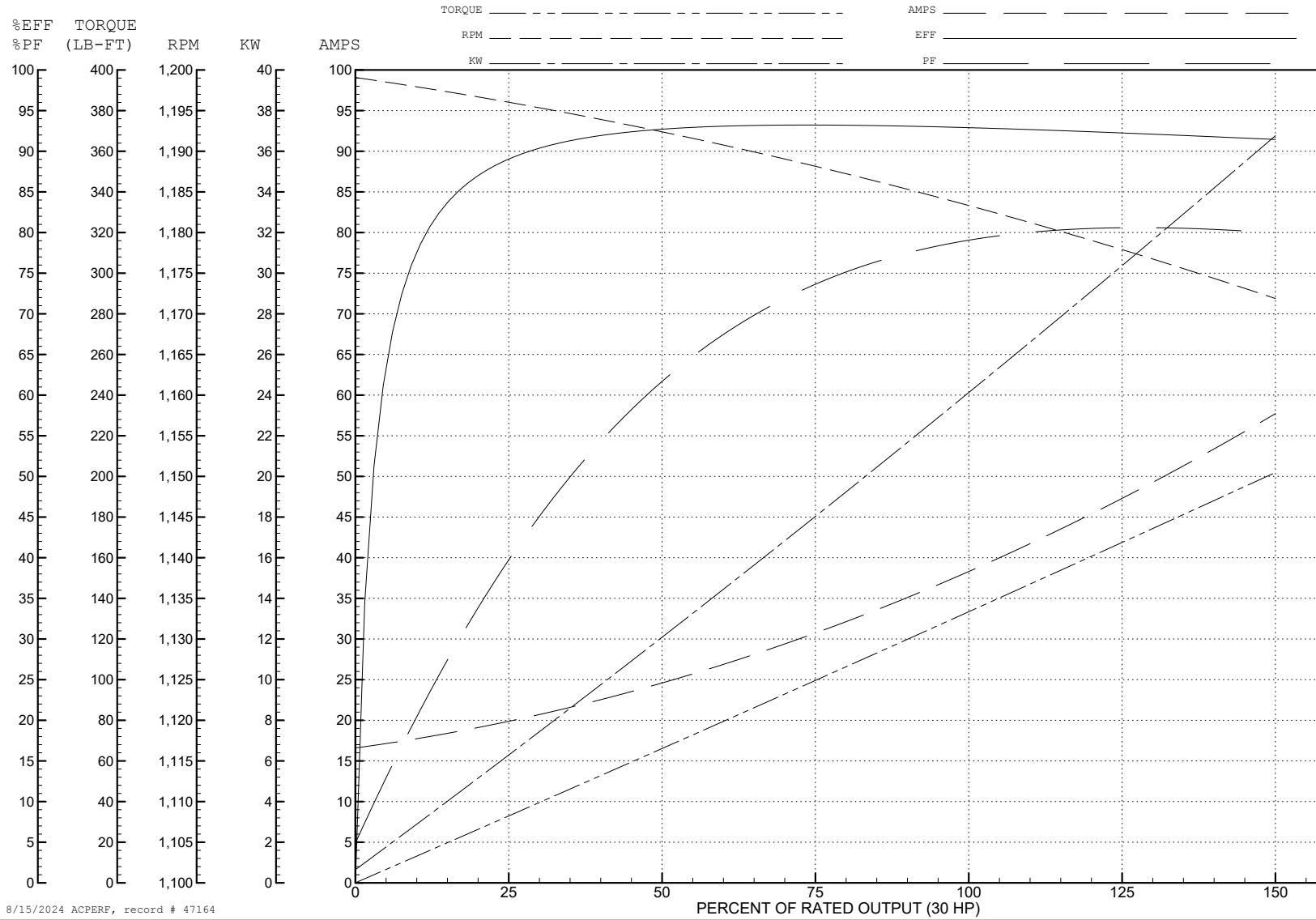
ABB Motors and Mechanical Inc.

WINDING # 12WGY812

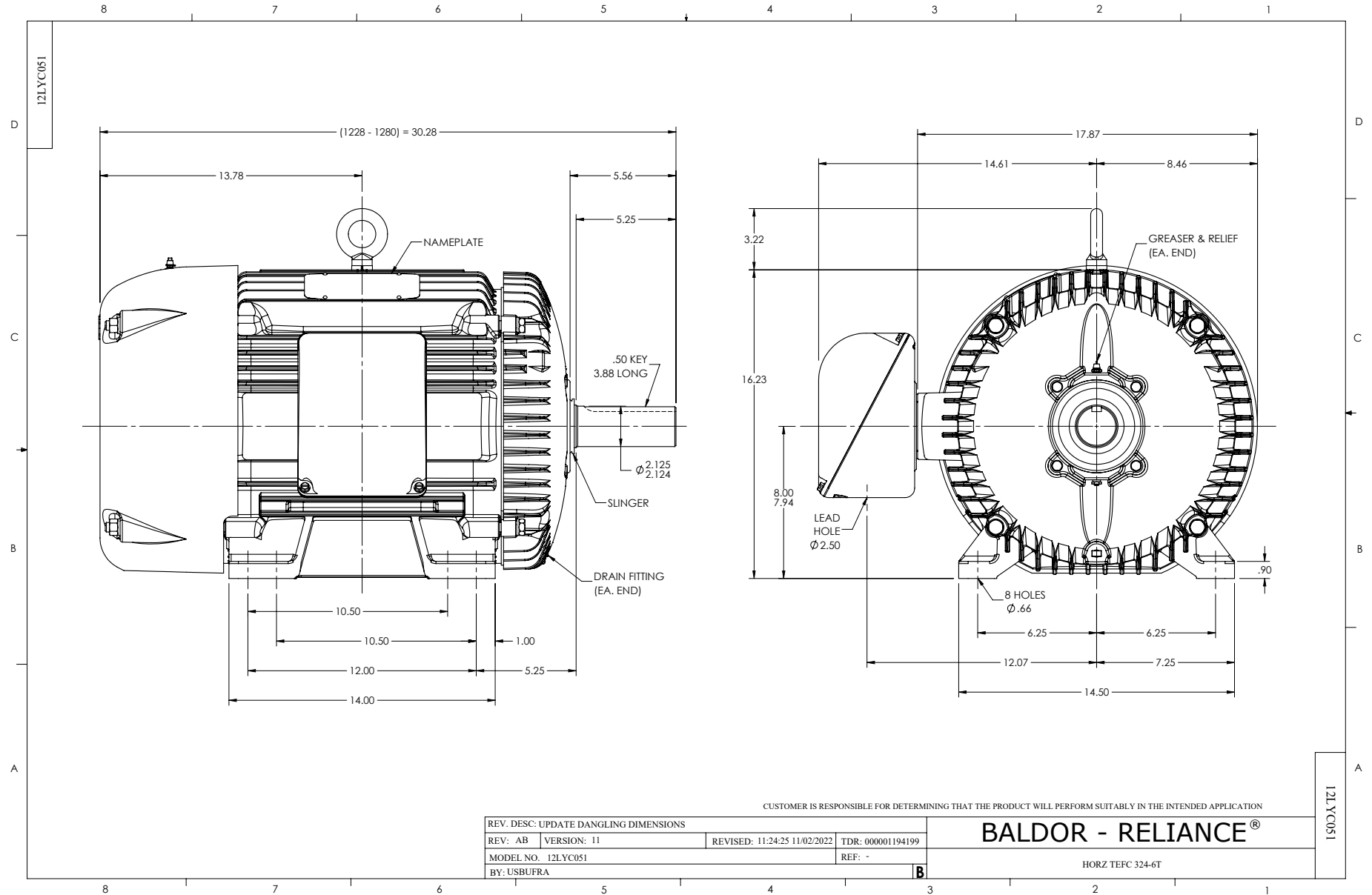
30 HP 3 PH 60 HZ 1180 RPM 460 V 1264M

Typical performance - not guaranteed values.

TORQUES (LB-FT): PO=370 PU=179 LR=217 LRA=245



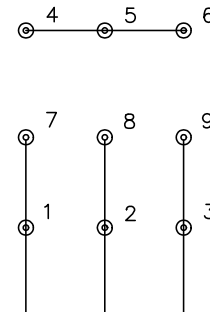
8/15/2024 ACPERF, record # 47164



CD0005

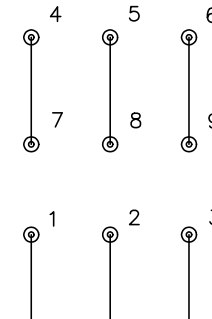


LOW VOLTAGE
(2Y)



LINE

HIGH VOLTAGE
(1Y)



LINE

NOTES:

1. INTERCHANGE ANY TWO LINE LEADS TO REVERSE ROTATION.
2. OPTIONAL THERMOSTATS ARE PROVIDED WHEN SPECIFIED.
3. ACTUAL NUMBER OF INTERNAL PARALLEL CIRCUITS MAY BE A MULTIPLE OF THOSE SHOWN ABOVE.
4. LEAD COLORS ARE OPTIONAL. LEADS MUST ALWAYS BE NUMBERED AS SHOWN.

CD0005

| | | | |
|-------------------------------------------|---------|-------------------------|--------------|
| REV. DESC: REVISE TO SHOW OPTIONAL COLORS | | | |
| REV. LTR: E | BY: JLP | REVISED: 01/19/99 10:15 | TDR: 0171435 |
| S00000 | | FILE: AAA00005140 | MDL: - |
| | | MTL: - | |

BALDOR ELECTRIC Co.

3PH, DV, 9 LEADS