

ABB BALDOR RELIANCE III

Customer information packet

EM4109T

40HP, 3530RPM, 3PH, 60HZ, 324TS, 1058M, TEFC, F

Class - None

Division - Not Applicable

Specifications

Enclosure	TEFC
Frame	324TS
Frame Material	Iron
Frequency	60.00 Hz
Haz Area Class and Group	None
Haz Area Division	Not Applicable
Motor Letter Type	Three Phase
Output @ Frequency	40.000 HP @ 60 HZ
Phase	3
Synchronous Speed @ Frequency	3600 RPM @ 60 HZ
Voltage @ Frequency	460.0 V @ 60 HZ 230.0 V @ 60 HZ
Agency Approvals	CURUSEEV NEMA PREMIUM NEMA PREMIUM (OLD LOGO)
Ambient Temperature	40 °C
Auxiliary Box	NO AUXILLARY BOX
Auxiliary Box Lead Termination	None
Base Indicator	Rigid
Bearing Grease Type	Polyrex EM (-20F +300F)
Blower	None
Current @ Voltage	45.000 A @ 460.0 V 90.000 A @ 230.0 V 100.000 A @ 208.0 V
Design Code	A
Drip Cover	No Drip Cover
Duty Rating	CONT
Efficiency @ 100% Load	92.4 %
Electrically Isolated Bearing	Not Electrically Isolated
Feedback Device	NO FEEDBACK
Front Shaft Indicator	None
Heater Indicator	No Heater

Part Detail

Revision	H
Type	AC
Mech. spec.	10F371
Base	
Status	PRD/A
Elec. spec.	10WGY652
Layout	10LYF371
Eff. date	06-27-2024
CD Diagram	CD0180
Poles	02
Leads	9#8
Proprietary	False
Created date	05-31-2018

High Voltage Full Load Amps	45.0 a
Insulation Class	F
Inverter Code	Inverter Ready
IP Rating	NONE
KVA Code	H
Lifting Lugs	Standard Lifting Lugs
Locked Bearing Indicator	Locked Bearing
Motor Lead Quantity/Wire Size	9 @ 8 AWG
Motor Lead Termination	Flying Leads
Motor Standards	NEMA
Motor Type	1058M
Mounting Arrangement	F1
Number of Poles	2
Overall Length	28.94 IN
Power Factor	90
Product Family	General Purpose
Pulley End Bearing Type	Ball
Pulley Face Code	Standard
Pulley Shaft Indicator	Standard
Rodent Screen	None
Service Factor	1.15
Shaft Diameter	1.875 IN
Shaft Ground Indicator	No Shaft Grounding
Shaft Rotation	Reversible
Shaft Slinger Indicator	Shaft Slinger
Speed	3530 rpm
Speed Code	Single Speed
Starting Method	Direct on line
Thermal Device - Bearing	None
Thermal Device - Winding	None
Vibration Sensor Indicator	No Vibration Sensor
Winding Thermal 1	None
Winding Thermal 2	None

Nameplate

NP3443LUA										
CAT.NO.	EM4109T			CUST. P/N			ENCL		TEFC	
SPEC.	10F371Y652G1	CC	010A	FRAME	324TS	SER.NO.				
HP	40	CLASS		F	HZ	60				
R.P.M.	3530	PH.	3	DES.		A				
VOLTS	230/460		CODE		H	ODE BRG	6309	DE BRG	6312	
AMPS	90/45									
RATING	40C AMB-CONT		NEMA NOM. EFF.		92.4		GREASE	POLYREX EM		
P.F.	90	SER.F.	1.15	CT6-60H(10:1)VT3-60H(20:1)						
USABLE AT	50Hz 40HP 190/380V 110/55A			1.0SF						
VOLTS	AMPS	MAX. SPACE HEATER TEMP.								

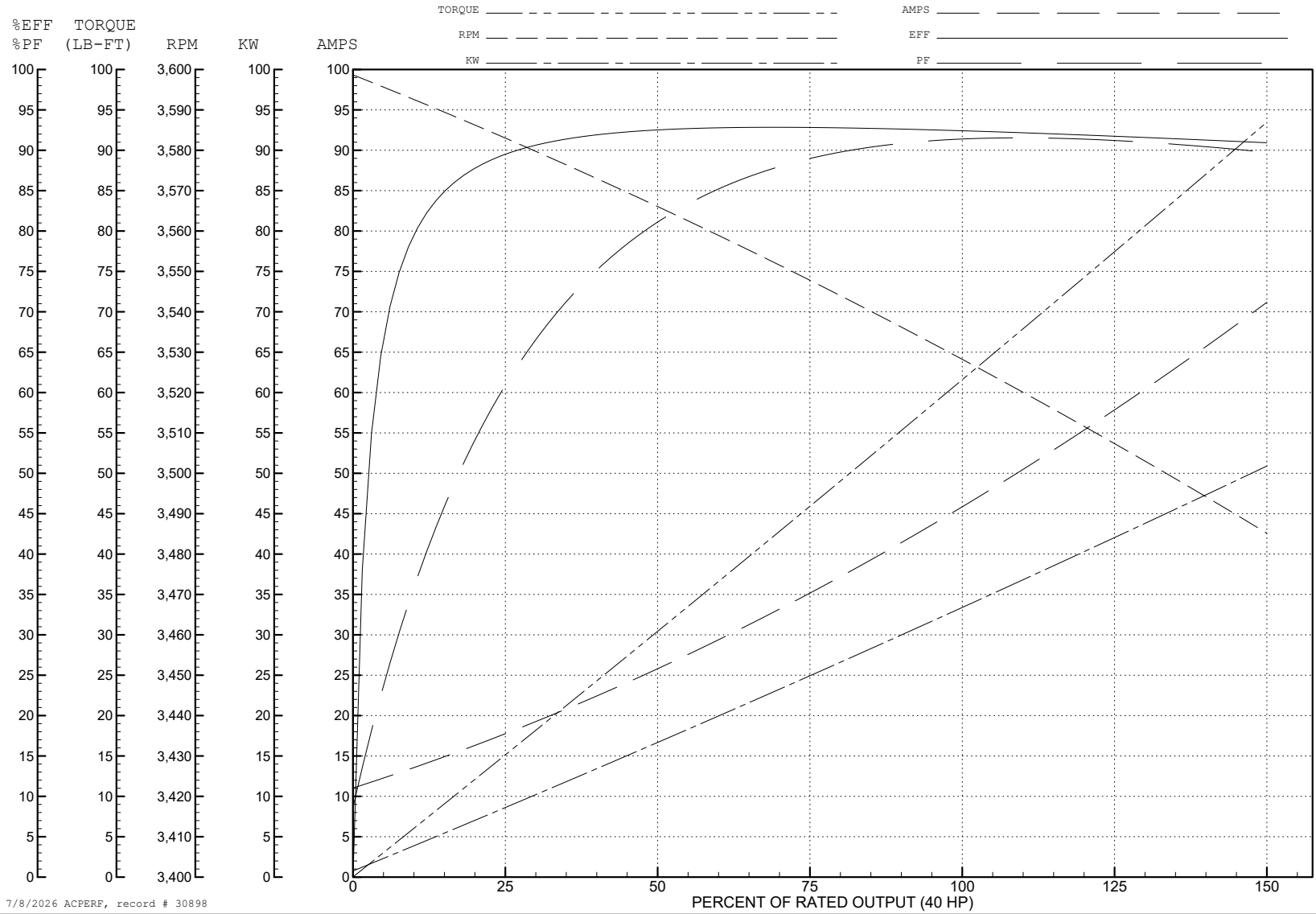
ABB Motors and Mechanical Inc.

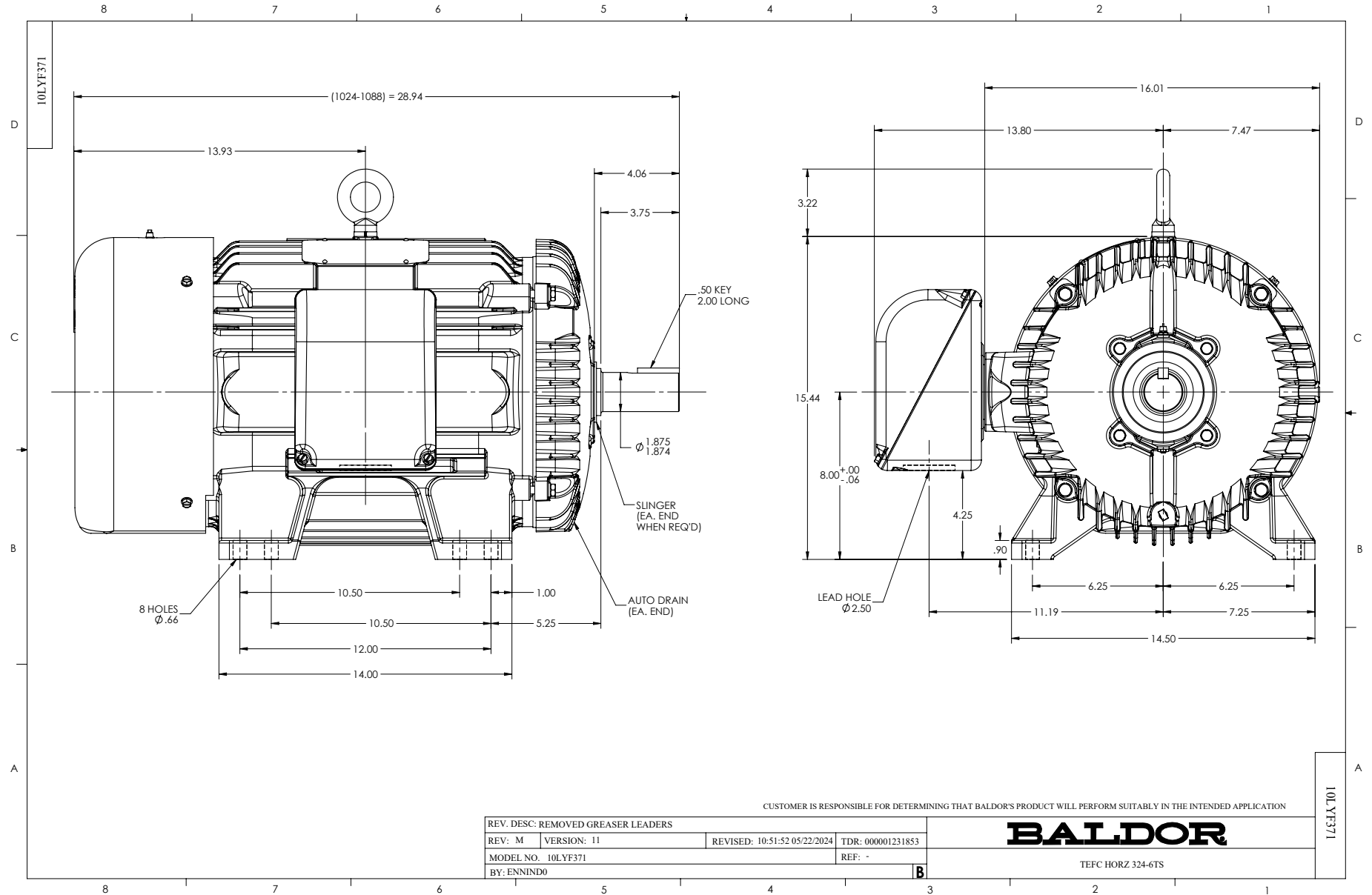
WINDING # 10WGY652

Typical performance - not guaranteed values.

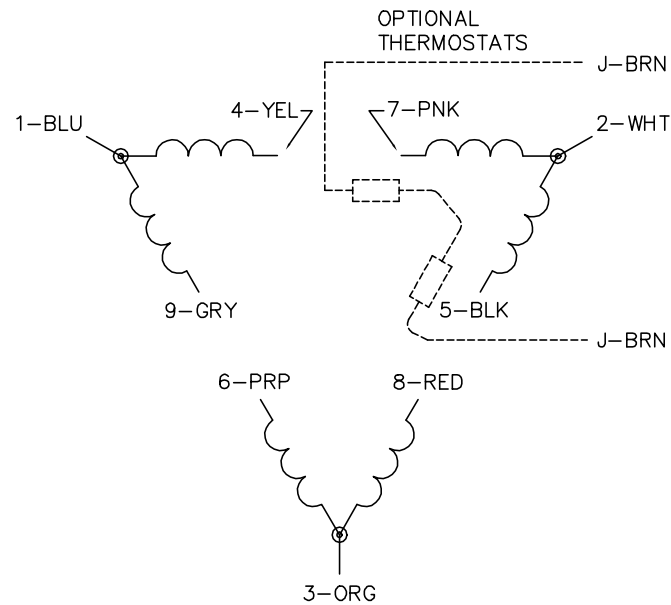
40 HP 3 PH 60 HZ 3525 RPM 460 V 1058M

TORQUES (LB-FT): PO=197 PU=85.4 LR=125 LRA=324

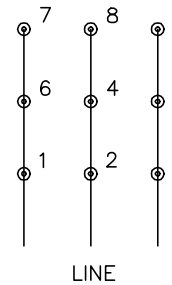




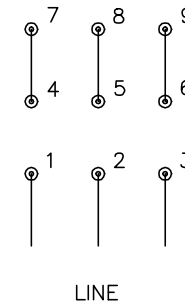
CD0180



LOW VOLTAGE
(2D)



HIGH VOLTAGE
(1D)



NOTES:

1. INTERCHANGE ANY TWO LINE LEADS TO REVERSE ROTATION.
2. OPTIONAL THERMOSTATS ARE PROVIDED WHEN SPECIFIED.
3. ACTUAL NUMBER OF INTERNAL PARALLEL CIRCUITS MAY BE A MULTIPLE OF THOSE SHOWN ABOVE.
4. LEAD COLORS ARE OPTIONAL. LEADS MUST ALWAYS BE NUMBERED AS SHOWN.

CD0180

REV. DESC: ADD CLASS CONN00000007		
REV. LTR: D	VERSION: 01	TDR: 000001099922
FILE: \AAA\00005\148	REVISED: 10: 25: 29 02/19/2019	BY: ENBRIRO
MTL: -	© □	

BALDOR - RELIANCE®

3PH, DV, 9 LEADS, DELTA CONNECTION

SH 1 of 1