

BALDOR® • RELIANCE™

Customer information packet

EM4108T

30HP, 3525RPM, 3PH, 60HZ, 286TS, 0950M, TEFC, F

Class - None

Division - Not Applicable

Specifications

Enclosure	TEFC
Frame	286TS
Frame Material	Iron
Frequency	60.00 Hz
Haz Area Class and Group	None
Haz Area Division	Not Applicable
Motor Letter Type	Three Phase
Output @ Frequency	30.000 HP @ 60 HZ
Phase	3
Synchronous Speed @ Frequency	3600 RPM @ 60 HZ
Voltage @ Frequency	230.0 V @ 60 HZ 460.0 V @ 60 HZ
Agency Approvals	CSA EEV NEMA PREMIUM NEMA_PREMIUM UR
Ambient Temperature	40 °C
Auxillary Box	No Auxillary Box
Auxillary Box Lead Termination	None
Base Indicator	Rigid
Bearing Grease Type	Polyrex EM (-20F +300F)
Blower	None
Current @ Voltage	74.000 A @ 208.0 V 68.000 A @ 230.0 V 34.000 A @ 460.0 V
Design Code	A
Drip Cover	No Drip Cover
Duty Rating	CONT
Efficiency @ 100% Load	91.7 %
Electrically Isolated Bearing	Not Electrically Isolated
Feedback Device	NO FEEDBACK
Front Shaft Indicator	None

Part detail

Revision	G
Type	AC
Mech. spec.	09F629
Base	
Status	PRD/A
Elec. spec.	09WGT598
Layout	09LYF629
Eff. date	06-27-2024
CD Diagram	CD0180
Poles	02
Leads	9#10
Proprietary	False
Created date	01-05-2021

Heater Indicator	No Heater
High Voltage Full Load Amps	34.0 a
Insulation Class	F
Inverter Code	Inverter Ready
KVA Code	J
Lifting Lugs	Standard Lifting Lugs
Locked Bearing Indicator	Locked Bearing
Motor Lead Quantity/Wire Size	9 @ 10 AWG
Motor Lead Termination	Flying Leads
Motor Standards	NEMA
Motor Type	0950M
Mounting Arrangement	F1
Number of Poles	2
Overall Length	24.77 IN
Power Factor	89
Product Family	General Purpose
Pulley End Bearing Type	Ball
Pulley Face Code	Standard
Pulley Shaft Indicator	Standard
Rodent Screen	None
Service Factor	1.15
Shaft Diameter	1.625 IN
Shaft Ground Indicator	No Shaft Grounding
Shaft Rotation	Reversible
Shaft Slinger Indicator	Shaft Slinger
Speed	3525 rpm
Speed Code	Single Speed
Starting Method	Direct on line
Thermal Device - Bearing	None
Thermal Device - Winding	None
Vibration Sensor Indicator	No Vibration Sensor
Winding Thermal 1	None
Winding Thermal 2	None

Nameplate

NP3443LUA

CAT.NO.	EM4108T	CUST. P/N				ENCL	TEFC
SPEC.	09F629T598G1	CC	010A	FRAME	286TS	SER.NO.	
HP	30	CLASS	F	HZ	60		
R.P.M.	3525	PH.	3	DES.	A		
VOLTS	230/460	CODE	J	ODE BRG	6208	DE BRG	6311
AMPS	68/34						
RATING	40C AMB-CONT	NEMA NOM. EFF.	91.7	GREASE	POLYREX EM		
P.F.	89	SER.F.	1.15	CT6-60H(10:1)VT3-60H(20:1)			
USABLE AT	50HZ 30HP 190/380V 83/41.5A		SF 1.0				
VOLTS	AMPS	MAX. SPACE HEATER TEMP.					

Accessories

Part number	Description	Multiplier
09-1310	C FACE KIT	A8

AC Induction Motor Performance Data

Record # 86057

Typical performance - not guaranteed values

Winding: 09WGT598-R001		Type: 0950M	Enclosure: TEFC
Nameplate Data		460 V, 60 Hz: High Voltage Connection	
Rated Output (HP)	30	Full Load Torque	44.7 LB-FT
Volts	230/460	Start Configuration	direct on line
Full Load Amps	68/34	Breakdown Torque	151 LB-FT
R.P.M.	3525	Pull-up Torque	78.5 LB-FT
Hz	60 Phase	Locked-rotor Torque	94.5 LB-FT
NEMA Design Code	A KVA Code	Starting Current	278 A
Service Factor (S.F.)	1.15	No-load Current	10.6 A
NEMA Nom. Eff.	91.7 Power Factor	Line-line Res. @ 25°C	0.267 Ω
Rating - Duty	40C AMB-CONT	Temp. Rise @ Rated Load	80°C
S.F. Amps		Temp. Rise @ S.F. Load	98°C
		Locked-rotor Power Factor	28.4
		Rotor inertia	1.28 lb-ft ²

Load Characteristics 460 V, 60 Hz, 30 HP

% of Rated Load	25	50	75	100	125	150	S.F.
Power Factor	60	79	87	89	91	91	90
Efficiency	88	91.9	92.5	92.1	91.3	90.2	91.6
Speed	3583	3565	3546	3526	3505	3481	3513
Line amperes	13.6	19.4	26.5	34.3	42.6	51.5	39.3

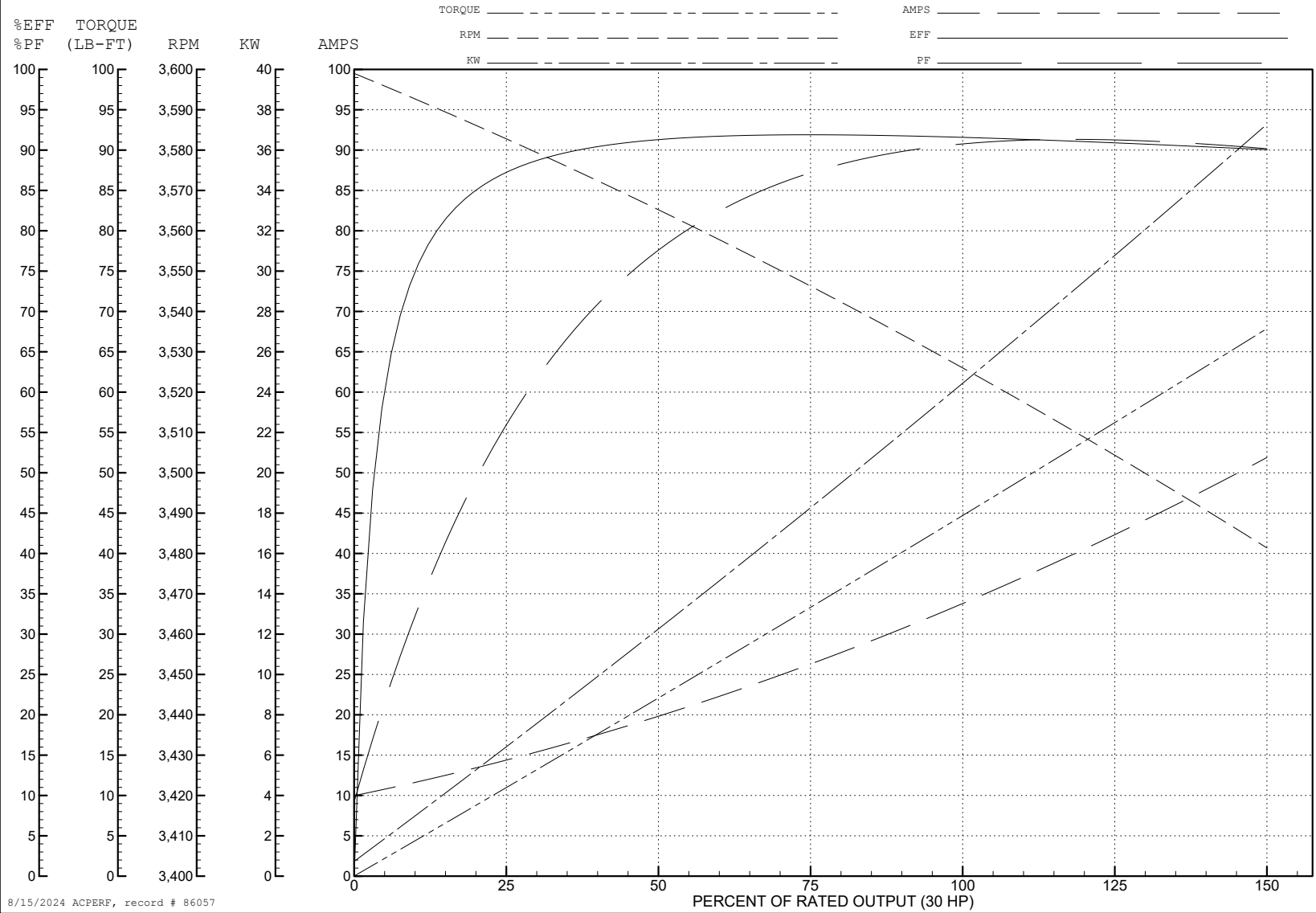
ABB Motors and Mechanical Inc.

WINDING # 09WGT598

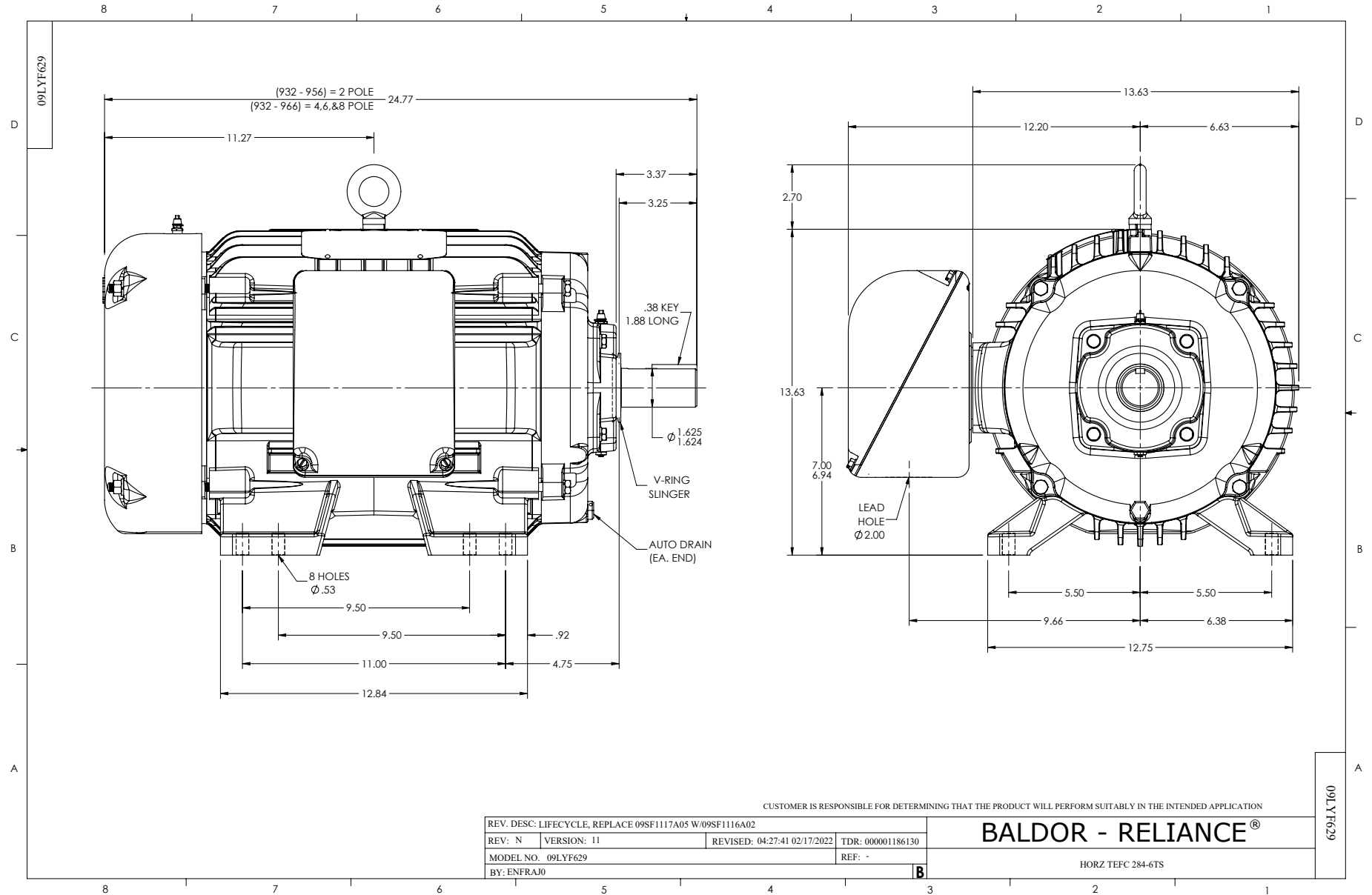
30 HP 3 PH 60 HZ 3525 RPM 460 V 0950M

Typical performance - not guaranteed values.

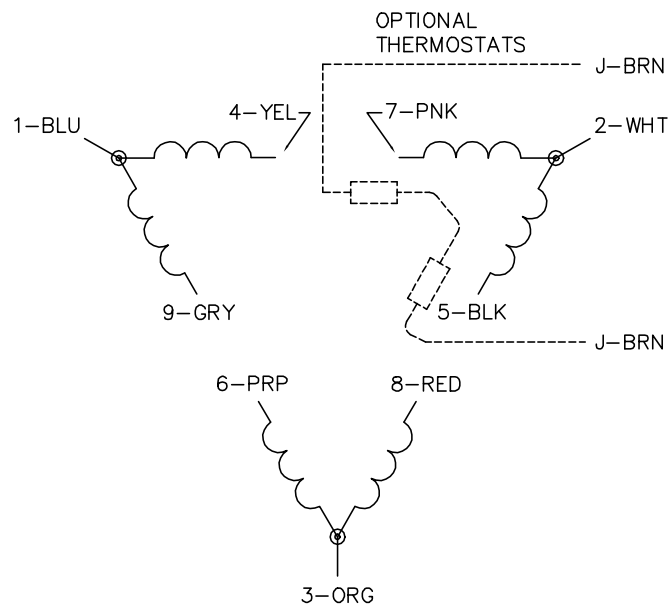
TORQUES (LB-FT): PO=151 PU=78.5 LR=94.5 LRA=278



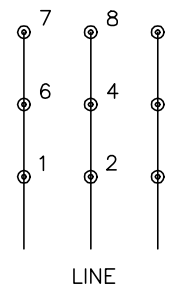
8/15/2024 ACPERF, record # 86057



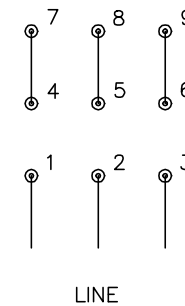
CD0180



LOW VOLTAGE
(2D)



HIGH VOLTAGE
(1D)



NOTES:

1. INTERCHANGE ANY TWO LINE LEADS TO REVERSE ROTATION.
2. OPTIONAL THERMOSTATS ARE PROVIDED WHEN SPECIFIED.
3. ACTUAL NUMBER OF INTERNAL PARALLEL CIRCUITS MAY BE A MULTIPLE OF THOSE SHOWN ABOVE.
4. LEAD COLORS ARE OPTIONAL. LEADS MUST ALWAYS BE NUMBERED AS SHOWN.

CD0180

REV. DESC: ADD CLASS CONN00000007		
REV. LTR: D	VERSION: 01	TDR: 000001099922
FILE: \AAA\00005\148	REVISED: 10: 25: 29 02/19/2019	BY: ENBRIRO
MTL: -	© □	

BALDOR - RELIANCE®

3PH, DV, 9 LEADS, DELTA CONNECTION

SH 1 of 1