

BALDOR • RELIANCE

Customer information packet

EM4108T-5

30HP, 3520RPM, 3PH, 60HZ, 286TS, 0950M, TEFC, F

Class - None

Division - Not Applicable

Copyright © All product information within this document is subject to ABB Motors and Mechanical Inc. copyright © protection, unless otherwise noted.

10/5/2024 2:02:12 AM

Specifications

Enclosure	TEFC
Frame	286TS
Frame Material	Iron
Frequency	60.00 Hz
Haz Area Class and Group	None
Haz Area Division	Not Applicable
Motor Letter Type	Three Phase
Output @ Frequency	30.000 HP @ 60 HZ
Phase	3
Synchronous Speed @ Frequency	3600 RPM @ 60 HZ
Voltage @ Frequency	575.0 V @ 60 HZ
Agency Approvals	CSA EEV NEMA PREMIUM NEMA_PREMIUM UR
Ambient Temperature	40 °C
Auxillary Box	No Auxillary Box
Auxillary Box Lead Termination	None
Base Indicator	Rigid
Bearing Grease Type	Polyrex EM (-20F +300F)
Blower	None
Current @ Voltage	28.000 A @ 575.0 V
Design Code	A
Drip Cover	No Drip Cover
Duty Rating	CONT
Efficiency @ 100% Load	91.7 %
Electrically Isolated Bearing	Not Electrically Isolated
Feedback Device	NO FEEDBACK
Front Face Code	Standard
Front Shaft Indicator	None
Heater Indicator	No Heater
High Voltage Full Load Amps	28.0 a

Part detail

Revision	L
Type	AC
Mech. spec.	09F629
Base	
Status	PRD/A
Elec. spec.	09WGT509
Layout	09LYF629
Eff. date	09-11-2024
CD Diagram	CD0006
Poles	02
Leads	3#10
Proprietary	False
Created date	03-14-2018

Insulation Class	F
Inverter Code	Inverter Ready
KVA Code	J
Lifting Lugs	Standard Lifting Lugs
Locked Bearing Indicator	Locked Bearing
Motor Lead Exit	Ko Box
Motor Lead Quantity/Wire Size	3 @ 10 AWG
Motor Lead Termination	Flying Leads
Motor Standards	NEMA
Motor Type	0950M
Mounting Arrangement	F1
Number of Poles	2
Overall Length	24.77 IN
Power Factor	88
Product Family	General Purpose
Pulley End Bearing Type	Ball
Pulley Face Code	Standard
Pulley Shaft Indicator	Standard
Rodent Screen	None
Service Factor	1.15
Shaft Diameter	1.625 IN
Shaft Extension Location	Pulley End
Shaft Ground Indicator	No Shaft Grounding
Shaft Rotation	Reversible
Shaft Slinger Indicator	Shaft Slinger
Speed	3520 rpm
Speed Code	Single Speed
Starting Method	Direct on line
Thermal Device - Bearing	None
Thermal Device - Winding	None
Vibration Sensor Indicator	No Vibration Sensor
Winding Thermal 1	None
Winding Thermal 2	None

Nameplate

NP3443L

CAT.NO.	EM4108T-5	CUST. P/N				ENCL	TEFC
SPEC.	09F629T509G1	CC	010A	FRAME	286TS	SER.NO.	
HP	30	CLASS		F	HZ	60	
R.P.M.	3520	PH	3	DES	A		
VOLTS	575	CODE		J	ODE BRG	6208	DE BRG 6311
AMPS	28						
RATING	40C AMB-CONT	NEMA NOM. EFF.			91.7	GREASE	POLYREX EM
P.F.	88	SER.F.	1.15	VPWM INVERTER READY			
HTR-VOLTS		HTR-AMPS		HTR-WATTS			

Accessories

Part number	Description	Multiplier
09-1310	C FACE KIT	A8

AC Induction Motor Performance Data

Record # 68011

Typical performance - not guaranteed values

Winding: 09WGT509-R001		Type: 0950M		Enclosure: TEFC			
Nameplate Data			575 V, 60 Hz: Single Voltage Motor				
Rated Output (HP)	30	Full Load Torque	44.62 LB-FT				
Volts	575	Start Configuration	direct on line				
Full Load Amps	28	Breakdown Torque	181 LB-FT				
R.P.M.	3520	Pull-up Torque	92.38 LB-FT				
Hz	60 Phase	3	Locked-rotor Torque	110 LB-FT			
NEMA Design Code	A	KVA Code	J	Starting Current	238 A		
Service Factor (S.F.)	1.15		No-load Current	9.64 A			
NEMA Nom. Eff.	91.7	Power Factor	88	Line-line Res. @ 25°C	0.367 Ω		
Rating - Duty	40C AMB-CONT		Temp. Rise @ Rated Load	79°C			
S.F. Amps			Temp. Rise @ S.F. Load	96°C			
			Locked-rotor Power Factor	28.2			
			Rotor inertia	1.28 lb-ft ²			

Load Characteristics 575 V, 60 Hz, 30 HP

% of Rated Load	25	50	75	100	125	150	S.F.
Power Factor	54	76	84	88	90	90	89
Efficiency	87.4	91.7	92.4	92.1	91.4	90.4	91.7
Speed	3581	3563	3544	3523	3501	3475	3510
Line amperes	11.76	16.13	21.62	27.74	34.22	41.24	31.6

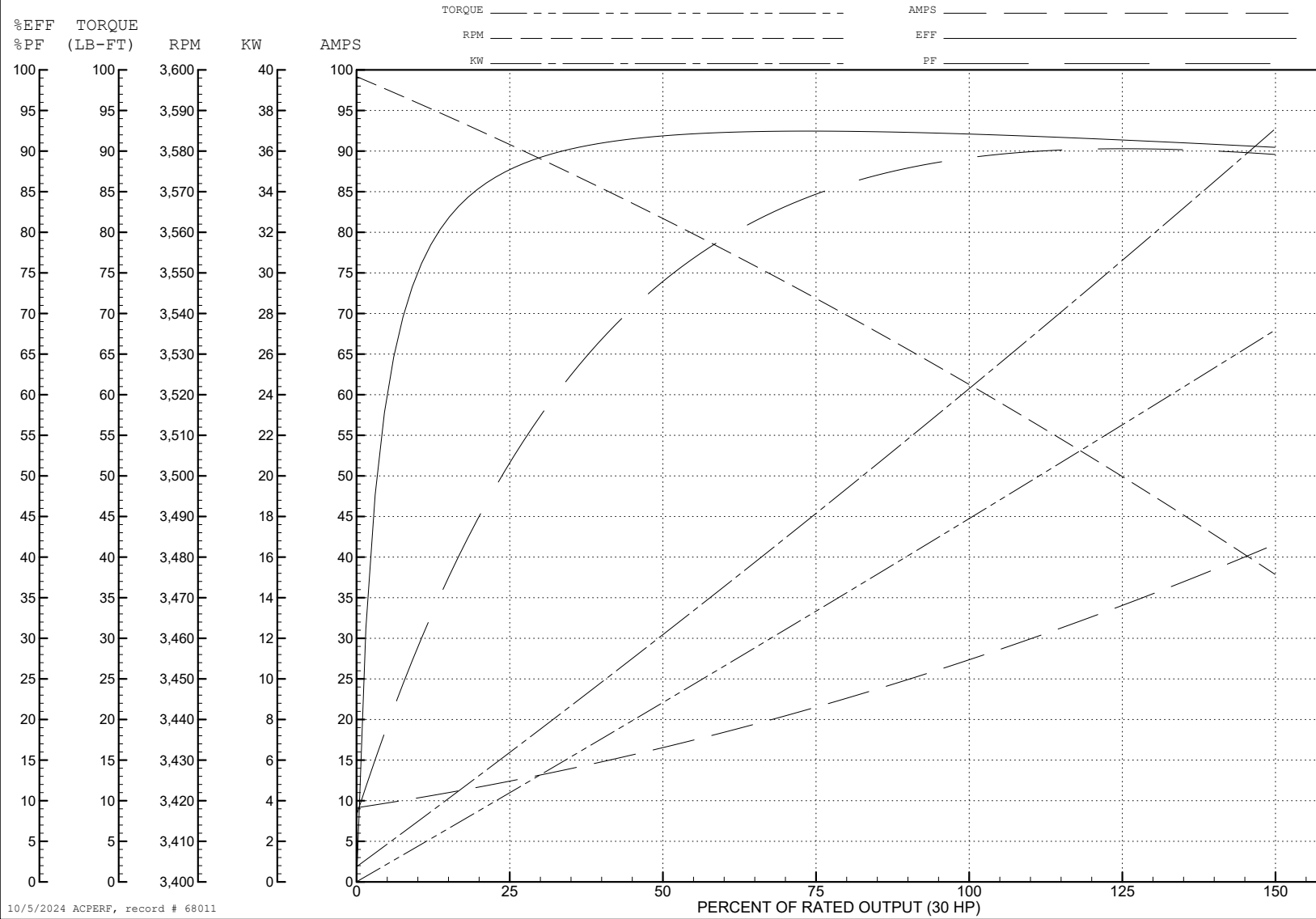
ABB Motors and Mechanical Inc.

WINDING # 09WGT509

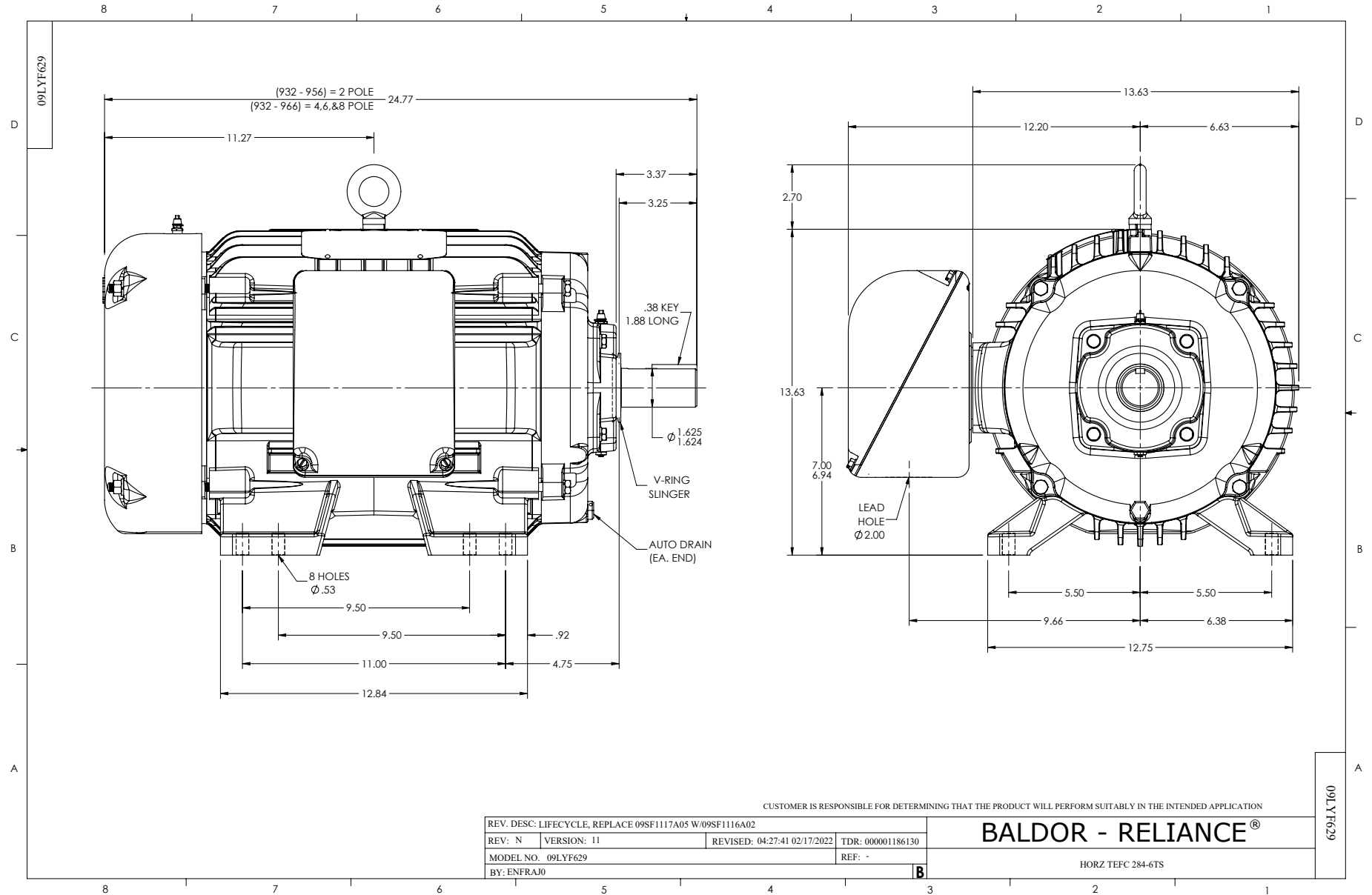
30 HP 3 PH 60 HZ 3520 RPM 575 V 0950M

Typical performance - not guaranteed values.

TORQUES (LB-FT): PO=181 PU=92.38 LR=110 LRA=238



10/5/2024 ACPERF, record # 68011



CD0006



NOTES:

1. THREE LEAD MOTOR MAY BE EITHER WYE CONNECTED OR DELTA CONNECTED.
2. INTERCHANGE ANY TWO LINE LEADS TO REVERSE ROTATION.
3. OPTIONAL THERMOSTATS ARE PROVIDED WHEN SPECIFIED.
4. ACTUAL NUMBER OF INTERNAL PARALLEL CIRCUITS MAY VARY.
5. LEAD COLORS ARE OPTIONAL. LEADS MUST BE NUMBERED AS SHOWN.

CD0006

REV. DESC: ADD CLASS CONN00000007		
REV. LTR: E	VERSION: 01	TDR: 000001099922
FILE: \AAA\00005\141	REVISED: 10:24:49 02/19/2019	BY: ENBRIRO
MTL: -	© □	

BALDOR - RELIANCE®

3PH, SV, 3 LEADS, WYE OR DELTA CONNECTED

SH 1 of 1