

BALDOR • RELIANCE

Customer information packet

EM4107T-G

44M 2P TEFC HOR 284TS SE

Class - None

Division - Not Applicable

Specifications

Enclosure	TEFC
Frame	284TS
Frame Material	Iron
Frequency	60.00 Hz
Haz Area Class and Group	None
Haz Area Division	Not Applicable
Motor Letter Type	Three Phase
Output @ Frequency	25.000 HP @ 60 HZ
Phase	3
Synchronous Speed @ Frequency	3600 RPM @ 60 HZ
Voltage @ Frequency	230.0 V @ 60 HZ 460.0 V @ 60 HZ
Agency Approvals	CSA EEV UR CSA
Ambient Temperature	40 °C
Auxillary Box	No Auxillary Box
Auxillary Box Lead Termination	None
Base Indicator	Rigid
Bearing Grease Type	Polyrex EM (-20F +300F)
Blower	None
Current @ Voltage	29.000 A @ 460.0 V 58.000 A @ 230.0 V 62.000 A @ 208.0 V
Design Code	A
Drip Cover	No Drip Cover
Duty Rating	CONT
Efficiency @ 100% Load	91.7 %
Electrically Isolated Bearing	Not Electrically Isolated
Feedback Device	NO FEEDBACK
Front Shaft Indicator	None
Heater Indicator	No Heater

Part detail

Revision	L
Type	AC
Mech. spec.	09J963
Base	
Status	PRD/A
Elec. spec.	09WGT577
Layout	09LYJ963
Eff. date	06-27-2024
CD Diagram	CD0005
Poles	02
Leads	9#10
Proprietary	False
Created date	09-29-2018

High Voltage Full Load Amps	29.0 a
Insulation Class	H
Inverter Code	Inverter Ready
KVA Code	J
Lifting Lugs	Standard Lifting Lugs
Locked Bearing Indicator	Locked Bearing
Motor Lead Quantity/Wire Size	9 @ 10 AWG
Motor Lead Termination	Flying Leads
Motor Standards	NEMA
Motor Type	0944M
Mounting Arrangement	F1
Number of Poles	2
Overall Length	24.70 IN
Power Factor	88
Product Family	General Purpose
Pulley End Bearing Type	Ball
Pulley Face Code	Standard
Pulley Shaft Indicator	Standard
Rodent Screen	None
Service Factor	1.15
Shaft Diameter	1.625 IN
Shaft Ground Indicator	Shaft Grounding
Shaft Rotation	Reversible
Shaft Slinger Indicator	Shaft Slinger
Speed	3520 rpm
Speed Code	Single Speed
Starting Method	Direct on line
Thermal Device - Winding	None
Vibration Sensor Indicator	No Vibration Sensor
Winding Thermal 1	None
Winding Thermal 2	None

Nameplate

NP3443LUA

CAT.NO.	EM4107T-G	CUST. P/N				ENCL	TEFC
SPEC.	09J963T577G1	CC	010A	FRAME	284TS	SER.NO.	
HP	25	CLASS	H	HZ	60		
R.P.M.	3520	PH.	3	DES.	A		
VOLTS	230/460	CODE	J	ODE BRG	6208	DE BRG	6311
AMPS	58/29						
RATING	40C AMB-CONT	NEMA NOM. EFF.	91.7	GREASE	POLYREX EM		
P.F.	88	SER.F.	1.15	CT6-60H(10:1)VT3-60H(20:1)			
USABLE AT	50HZ 20HP 190/380V 56/28A	SF1.0					
VOLTS	AMPS	MAX. SPACE HEATER TEMP.					

AC Induction Motor Performance Data

Record # 72878

Typical performance - not guaranteed values

Winding: 09WGT577-R003		Type: 0944M	Enclosure: TEFC
Nameplate Data		460 V, 60 Hz: High Voltage Connection	
Rated Output (HP)	25	Full Load Torque	37.39 LB-FT
Volts	230/460	Start Configuration	direct on line
Full Load Amps	58/29	Breakdown Torque	153 LB-FT
R.P.M.	3520	Pull-up Torque	58.5 LB-FT
Hz	60 Phase	Locked-rotor Torque	75 LB-FT
NEMA Design Code	A KVA Code	Starting Current	223 A
Service Factor (S.F.)	1.15	No-load Current	10.1 A
NEMA Nom. Eff.	91.7 Power Factor	Line-line Res. @ 25°C	0.3381 Ω
Rating - Duty	40C AMB-CONT	Temp. Rise @ Rated Load	74°C
S.F. Amps		Temp. Rise @ S.F. Load	91°C
		Locked-rotor Power Factor	29.7

Load Characteristics 460 V, 60 Hz, 25 HP

% of Rated Load	25	50	75	100	125	150	S.F.
Power Factor	55	76	84	88	89	90	89
Efficiency	87.6	91.6	92.2	91.8	90.9	89.8	91.3
Speed	3580.5	3562.7	3544.2	3524	3501.4	3477.9	3510
Line amperes	12.3	16.9	22.7	29.1	36.1	43.5	33.3

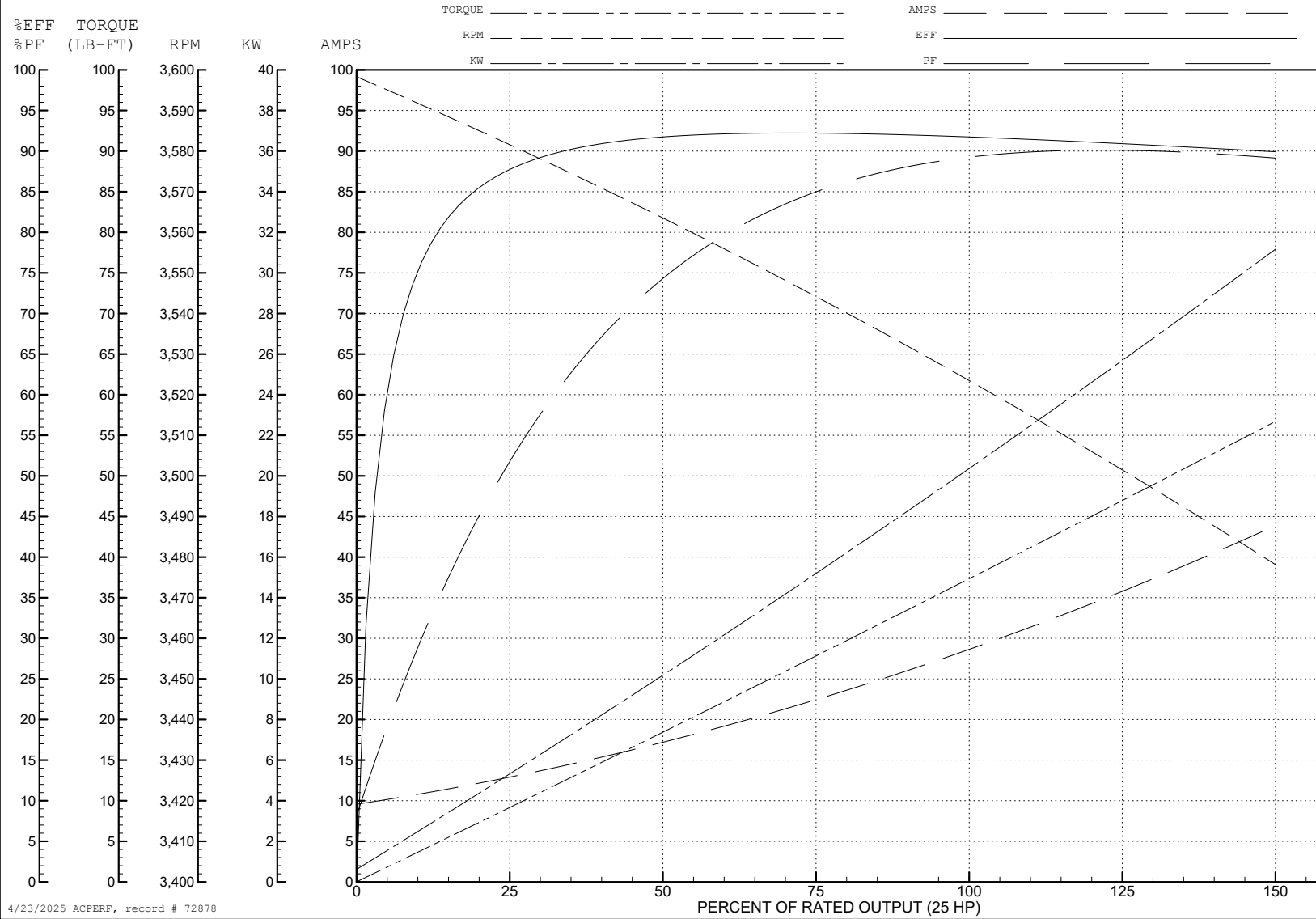
ABB Motors and Mechanical Inc.

WINDING # 09WGT577

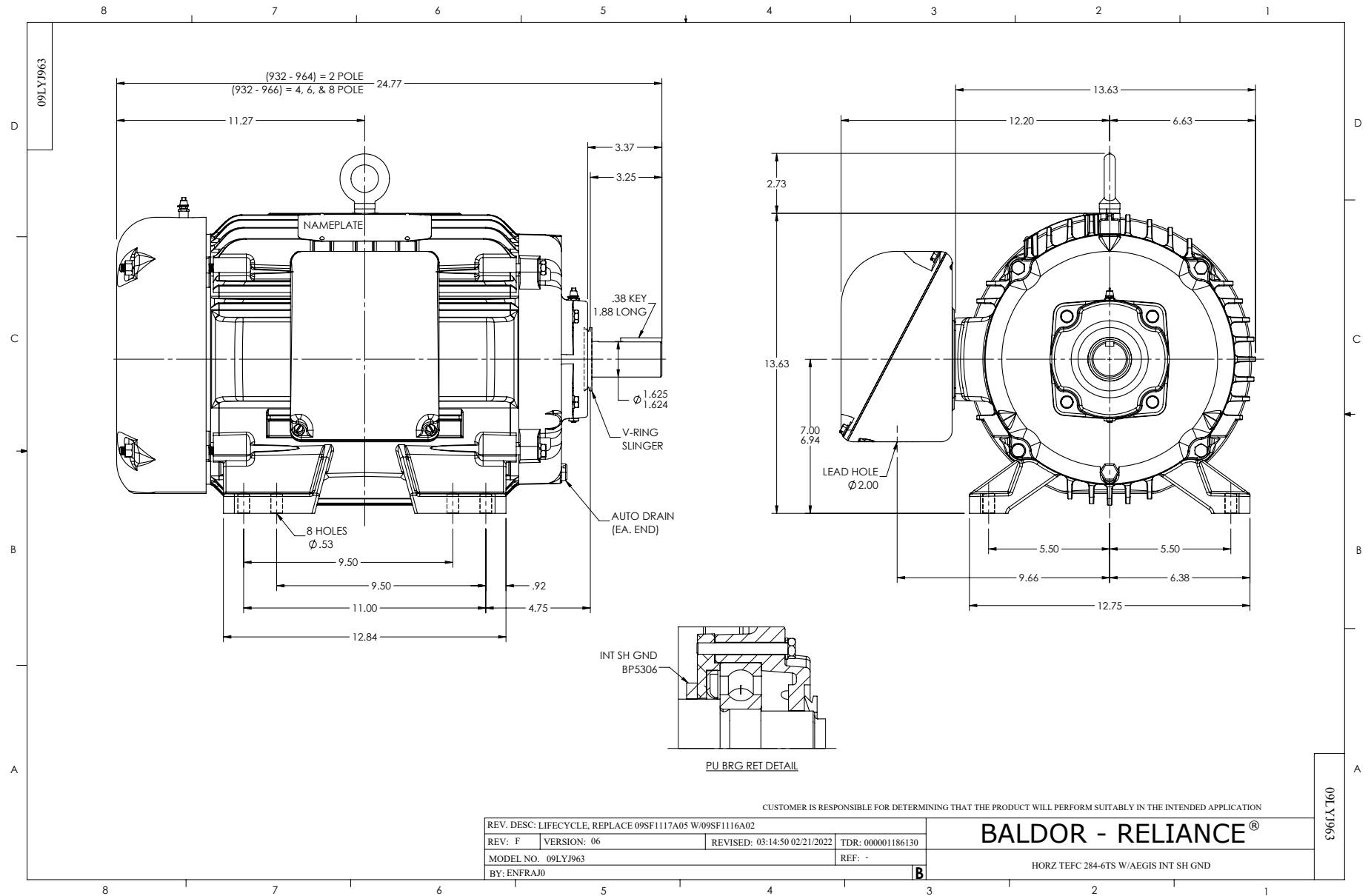
25 HP 3 PH 60 HZ 3520 RPM 460 V 0944M

Typical performance - not guaranteed values.

TORQUES (LB-FT): PO=153 PU=58.5 LR=75 LRA=223



4/23/2025 ACPERF, record # 72878



CD0005



LOW VOLTAGE
(2Y)



LINE

HIGH VOLTAGE
(1Y)



LINE

NOTES:

1. INTERCHANGE ANY TWO LINE LEADS TO REVERSE ROTATION.
2. OPTIONAL THERMOSTATS ARE PROVIDED WHEN SPECIFIED.
3. ACTUAL NUMBER OF INTERNAL PARALLEL CIRCUITS MAY BE A MULTIPLE OF THOSE SHOWN ABOVE.
4. LEAD COLORS ARE OPTIONAL. LEADS MUST ALWAYS BE NUMBERED AS SHOWN.

CD0005

REV. DESC: REVISE TO SHOW OPTIONAL COLORS			
REV. LTR: E	BY: JLP	REVISED: 01/19/99 10:15	TDR: 0171435
S00000		FILE: AAA00005140	MDL: -
		MTL: -	

BALDOR ELECTRIC Co.

3PH, DV, 9 LEADS