

BALDOR • RELIANCE

Customer information packet

EM4107T-8

44M 2P TEFC HOR 284TS SE

Class - None

Division - Not Applicable

Specifications

Enclosure	TEFC
Frame	284TS
Frame Material	Iron
Frequency	60.00 Hz
Haz Area Class and Group	None
Haz Area Division	Not Applicable
Motor Letter Type	Three Phase
Output @ Frequency	25.000 HP @ 60 HZ
Phase	3
Synchronous Speed @ Frequency	3600 RPM @ 60 HZ
Voltage @ Frequency	200.0 V @ 60 HZ
Agency Approvals	CSA EEV UR NEMA_PREMIUM NEMA PREMIUM
Ambient Temperature	40 °C
Auxillary Box	No Auxillary Box
Auxillary Box Lead Termination	None
Base Indicator	Rigid
Bearing Grease Type	Polyrex EM (-20F +300F)
Blower	None
Current @ Voltage	66.000 A @ 200.0 V 64.000 A @ 208.0 V
Design Code	A
Drip Cover	No Drip Cover
Duty Rating	CONT
Efficiency @ 100% Load	91.7 %
Electrically Isolated Bearing	Not Electrically Isolated
Feedback Device	NO FEEDBACK
Front Shaft Indicator	None
Heater Indicator	No Heater
High Voltage Full Load Amps	66.0 a

Part detail

Revision	K
Type	AC
Mech. spec.	09F629
Base	
Status	PRD/A
Elec. spec.	09WGT586
Layout	09LYF629
Eff. date	06-27-2024
CD Diagram	CD0695
Poles	02
Leads	6#6
Proprietary	False
Created date	08-21-2019

Insulation Class	F
Inverter Code	Inverter Ready
KVA Code	H
Lifting Lugs	Standard Lifting Lugs
Locked Bearing Indicator	Locked Bearing
Motor Lead Quantity/Wire Size	6 @ 6 AWG
Motor Lead Termination	Flying Leads
Motor Standards	NEMA
Motor Type	0944M
Mounting Arrangement	F1
Number of Poles	2
Overall Length	24.77 IN
Power Factor	88
Product Family	General Purpose
Pulley End Bearing Type	Ball
Pulley Face Code	Standard
Pulley Shaft Indicator	Standard
Rodent Screen	None
Service Factor	1.15
Shaft Diameter	1.625 IN
Shaft Ground Indicator	No Shaft Grounding
Shaft Rotation	Reversible
Shaft Slinger Indicator	Shaft Slinger
Speed	3515 rpm
Speed Code	Single Speed
Starting Method	Part Winding
Thermal Device - Bearing	None
Thermal Device - Winding	None
Vibration Sensor Indicator	No Vibration Sensor
Winding Thermal 1	None
Winding Thermal 2	None

Nameplate

NP3443L

CAT.NO.	EM4107T-8	CUST. P/N				ENCL	TEFC
SPEC.	09F629T586G1	CC	010A	FRAME	284TS	SER.NO.	
HP	25	CLASS		F	HZ	60	
R.P.M.	3515	PH	3	DES		A	
VOLTS	200	CODE		H	ODE BRG	6208	DE BRG 6311
AMPS	66						
RATING	40C AMB-CONT	NEMA NOM. EFF.			91.7	GREASE	POLYREX EM
P.F.	88	SER.F.	1.15	VPWM INVERTER READY			
HTR-VOLTS		HTR-AMPS		HTR-WATTS			

Accessories

Part number	Description	Multiplier
09-1310	C FACE KIT	A8

AC Induction Motor Performance Data

Record # 78305

Typical performance - not guaranteed values

Winding: 09WGT586-R001		Type: 0944M	Enclosure: TEFC		
Nameplate Data			200 V, 60 Hz: Single Voltage Motor		
Rated Output (HP)	25	Full Load Torque	37.39 LB-FT		
Volts	200	Start Configuration	direct on line		
Full Load Amps	66	Breakdown Torque	139 LB-FT		
R.P.M.	3515	Pull-up Torque	52.41 LB-FT		
Hz	60 Phase	3	Locked-rotor Torque	67.2 LB-FT	
NEMA Design Code	A	KVA Code	H	Starting Current	461 A
Service Factor (S.F.)	1.15	No-load Current	19.52 A		
NEMA Nom. Eff.	91.7	Power Factor	88	Line-line Res. @ 25°C	0.0644 Ω
Rating - Duty	40C AMB-CONT		Temp. Rise @ Rated Load	75°C	
S.F. Amps			Temp. Rise @ S.F. Load	93°C	
			Locked-rotor Power Factor	29.1613	
			Rotor inertia	1.12 lb-ft ²	

Load Characteristics 200 V, 60 Hz, 25 HP

% of Rated Load	25	50	75	100	125	150	S.F.
Power Factor	62	81	87	90	90	90	90
Efficiency	88.3	91.8	92.2	91.7	90.7	89.5	91.1
Speed	3579	3559	3540	3518	3494	3468	3504
Line amperes	25.28	36.7	50.52	65.58	82.26	100	75.6

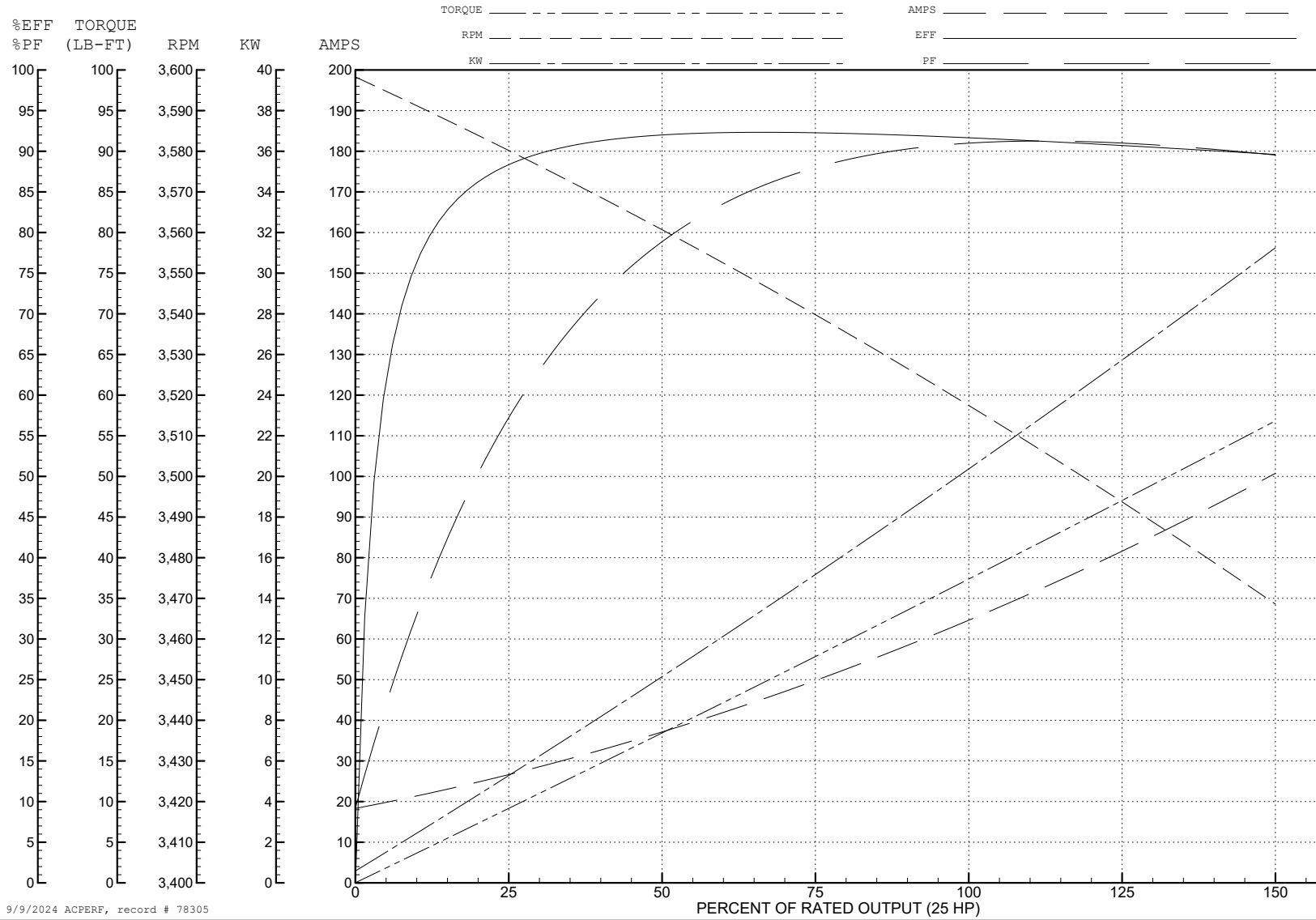
ABB Motors and Mechanical Inc.

WINDING # 09WGT586

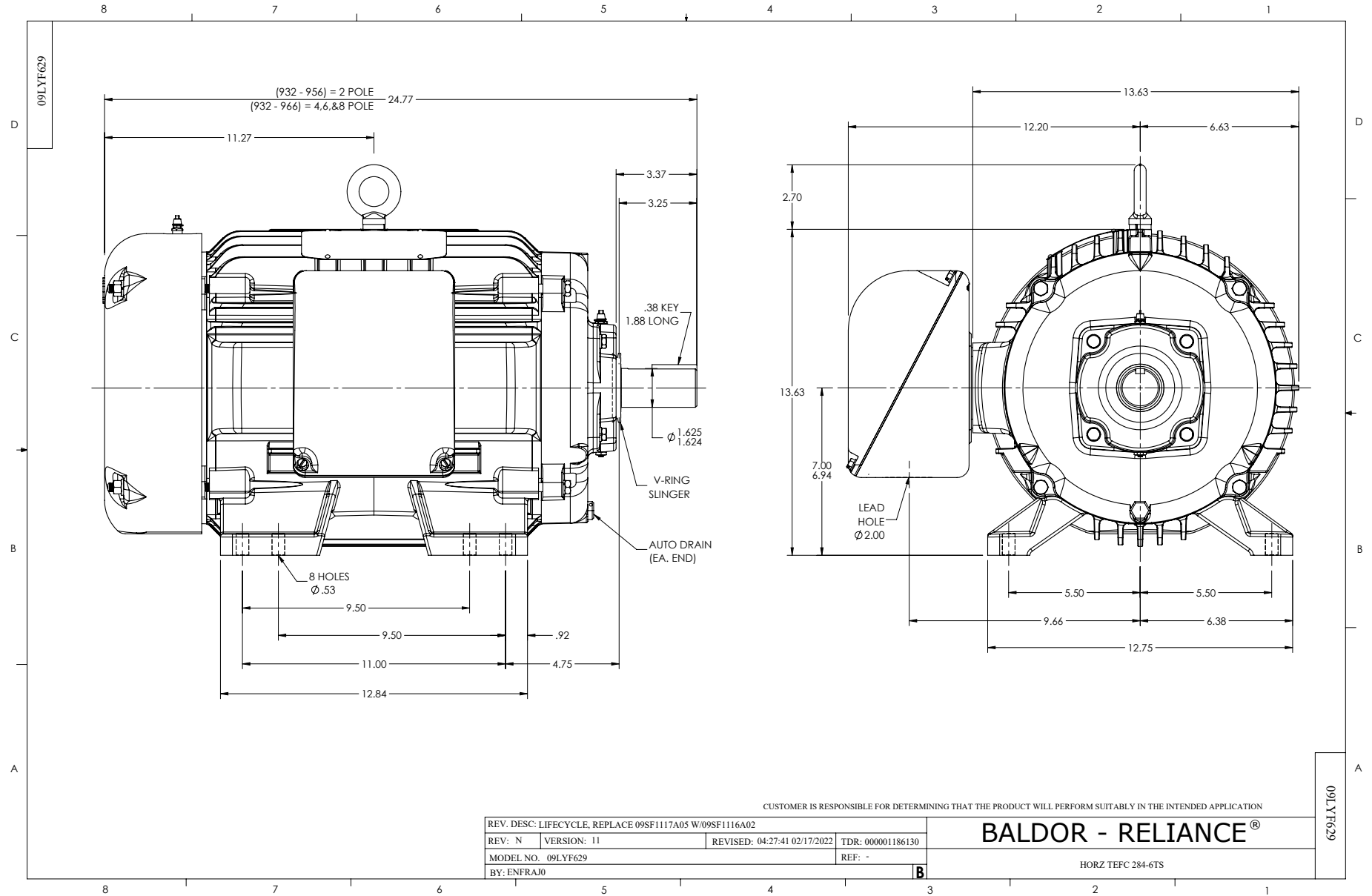
25 HP 3 PH 60 HZ 3515 RPM 200 V 0944M

Typical performance - not guaranteed values.

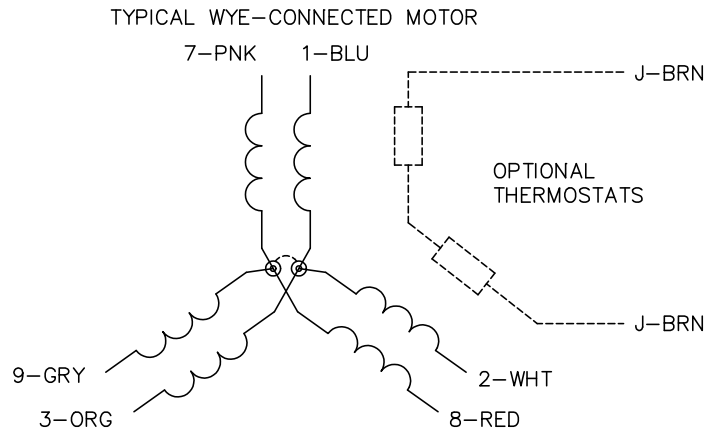
TORQUES (LB-FT): PO=139 PU=52.41 LR=67.2 LRA=461



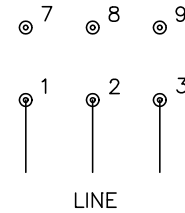
9/9/2024 ACPERF, record # 78305



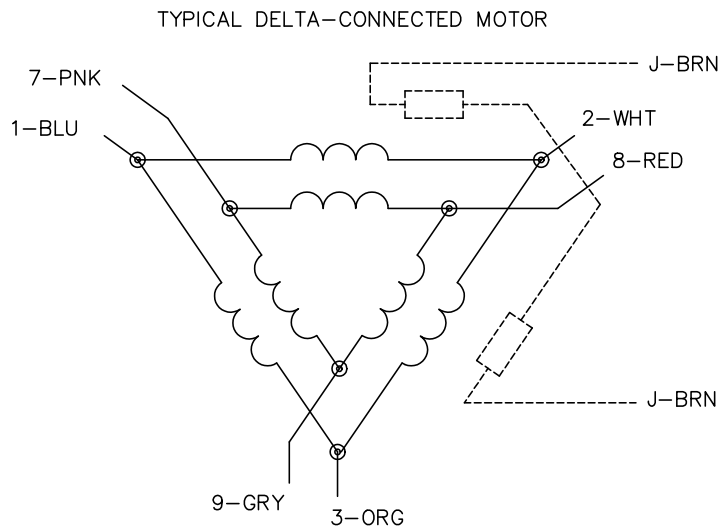
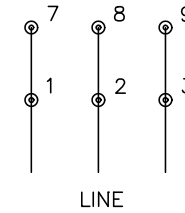
CD0695



START CONNECTION



RUN CONNECTION



NOTES:

1. MOTOR MAY BE WYE CONNECTED OR DELTA CONNECTED.
2. INTERCHANGE ANY TWO LINE LEADS TO REVERSE ROTATION.
3. OPTIONAL THERMOSTATS ARE PROVIDED WHEN SPECIFIED.
4. ACTUAL NUMBER OF INTERNAL PARALLEL CIRCUITS MAY VARY.
5. LEAD COLORS ARE OPTIONAL. LEADS MUST ALWAYS BE NUMBERED AS SHOWN.

CD0695

REV. DESC: REVISE TO SHOW OPTIONAL COLORS			
REV. LTR: C	BY: JLP	REVISED: 01/21/99 3:19	TDR: 0171435
S69000		FILE: AAA0005151	MDL: -
		MTL: -	

BALDOR ELECTRIC Co.

3PH, SV, 6 LEADS, PART WINDING START