



Customer information packet

EM3714T-9

10HP, 1770RPM, 3PH, 60HZ, 215T, 3760M, TEFC, F1

Class - None

Division - Not Applicable

Specifications

Enclosure	TEFC
Frame	215T
Frame Material	Steel
Frequency	60.00 Hz
Haz Area Class and Group	None
Haz Area Division	Not Applicable
Motor Letter Type	Three Phase
Output @ Frequency	10.000 HP @ 60 HZ
Phase	3
Synchronous Speed @ Frequency	1800 RPM @ 60 HZ
Voltage @ Frequency	460.0 V @ 60 HZ 230.0 V @ 60 HZ
Agency Approvals	CSA EEV NEMA PREMIUM NEMA_PREMIUM UR
Ambient Temperature	40 °C
Auxillary Box	No Auxillary Box
Auxillary Box Lead Termination	None
Base Indicator	Rigid
Bearing Grease Type	Polyrex EM (-20F +300F)
Blower	None
Current @ Voltage	13.100 A @ 460.0 V 26.200 A @ 230.0 V
Design Code	A
Drip Cover	No Drip Cover
Duty Rating	CONT
Efficiency @ 100% Load	91.7 %
Electrically Isolated Bearing	Not Electrically Isolated
Feedback Device	NO FEEDBACK
Front Face Code	Standard
Front Shaft Indicator	None

Part detail

Revision	G
Type	AC
Mech. spec.	37N852
Base	
Status	PRD/A
Elec. spec.	37WGT851
Layout	37LYN852
Eff. date	05-13-2024
CD Diagram	CD0180
Poles	04
Leads	9#14
Proprietary	False
Created date	04-09-2016

Heater Indicator	No Heater
High Voltage Full Load Amps	13.1 a
Insulation Class	F
Inverter Code	Inverter Ready
KVA Code	J
Lifting Lugs	Standard Lifting Lugs
Locked Bearing Indicator	No Locked Bearing
Motor Lead Exit	Ko Box
Motor Lead Quantity/Wire Size	9 @ 14 AWG
Motor Lead Termination	Flying Leads
Motor Standards	NEMA
Motor Type	3760M
Mounting Arrangement	F1
Number of Poles	4
Overall Length	21.02 IN
Power Factor	78
Product Family	WP Below Decks Marine Duty
Pulley End Bearing Type	Ball
Pulley Face Code	Standard
Pulley Shaft Indicator	Standard
Rodent Screen	None
RoHS Status	ROHS COMPLIANT
Service Factor	1.15
Shaft Diameter	1.375 IN
Shaft Extension Location	Pulley End
Shaft Ground Indicator	No Shaft Grounding
Shaft Rotation	Reversible
Shaft Slinger Indicator	Shaft Slinger
Speed	1770 rpm
Speed Code	Single Speed
Starting Method	Direct on line
Thermal Device - Bearing	None
Thermal Device - Winding	None
Vibration Sensor Indicator	No Vibration Sensor

Winding Thermal 1

None

Winding Thermal 2

None

Nameplate

NP1267L									
CAT.NO.	EM3714T-9								
SPEC.	37N852T851G1								
HP	10								
VOLTS	230/460								
AMP	26.2/13.1								
RPM	1770								
FRAME	215T		HZ	60		PH	3		
SER.F.	1.15	CODE	J	DES	A	CL	F		
NEMA-NOM-EFF	91.7	PF	78						
RATING	40C AMB-CONT								
CC	010A								
DE	6307	ODE	6206						
ENCL	TEFC	SN							
	MEETS DESIGN C TORQUE IP55								

AC Induction Motor Performance Data

Record # 58159

Typical performance - not guaranteed values

Winding: 37WGT851-R001		Type: 3760M		Enclosure: TEFC	
Nameplate Data			460 V, 60 Hz: High Voltage Connection		
Rated Output (HP)	10	Full Load Torque	29.8 LB-FT		
Volts	230/460	Start Configuration	direct on line		
Full Load Amps	25.6/12.8	Breakdown Torque	94.5 LB-FT		
R.P.M.	1770	Pull-up Torque	54 LB-FT		
Hz	60 Phase	3	Locked-rotor Torque	91.1 LB-FT	
NEMA Design Code	A KVA Code	J	Starting Current	90.1 A	
Service Factor (S.F.)	1.15	No-load Current	6.23 A		
NEMA Nom. Eff.	92.4 Power Factor	79	Line-line Res. @ 25°C	0.79976 Ω	
Rating - Duty	40C AMB-CONT		Temp. Rise @ Rated Load	64°C	
S.F. Amps			Temp. Rise @ S.F. Load	78°C	
			Locked-rotor Power Factor	37.8	

Load Characteristics 460 V, 60 Hz, 10 HP

% of Rated Load	25	50	75	100	125	150	S.F.
Power Factor	38	60	72	78	81	82	80
Efficiency	87.5	91.8	92.4	92.1	91.3	90.2	91.6
Speed	1792.1	1784.7	1776.9	1767.8	1758.4	1747.7	1762
Line amperes	6.87	8.43	10.5	13.1	15.9	19	14.8

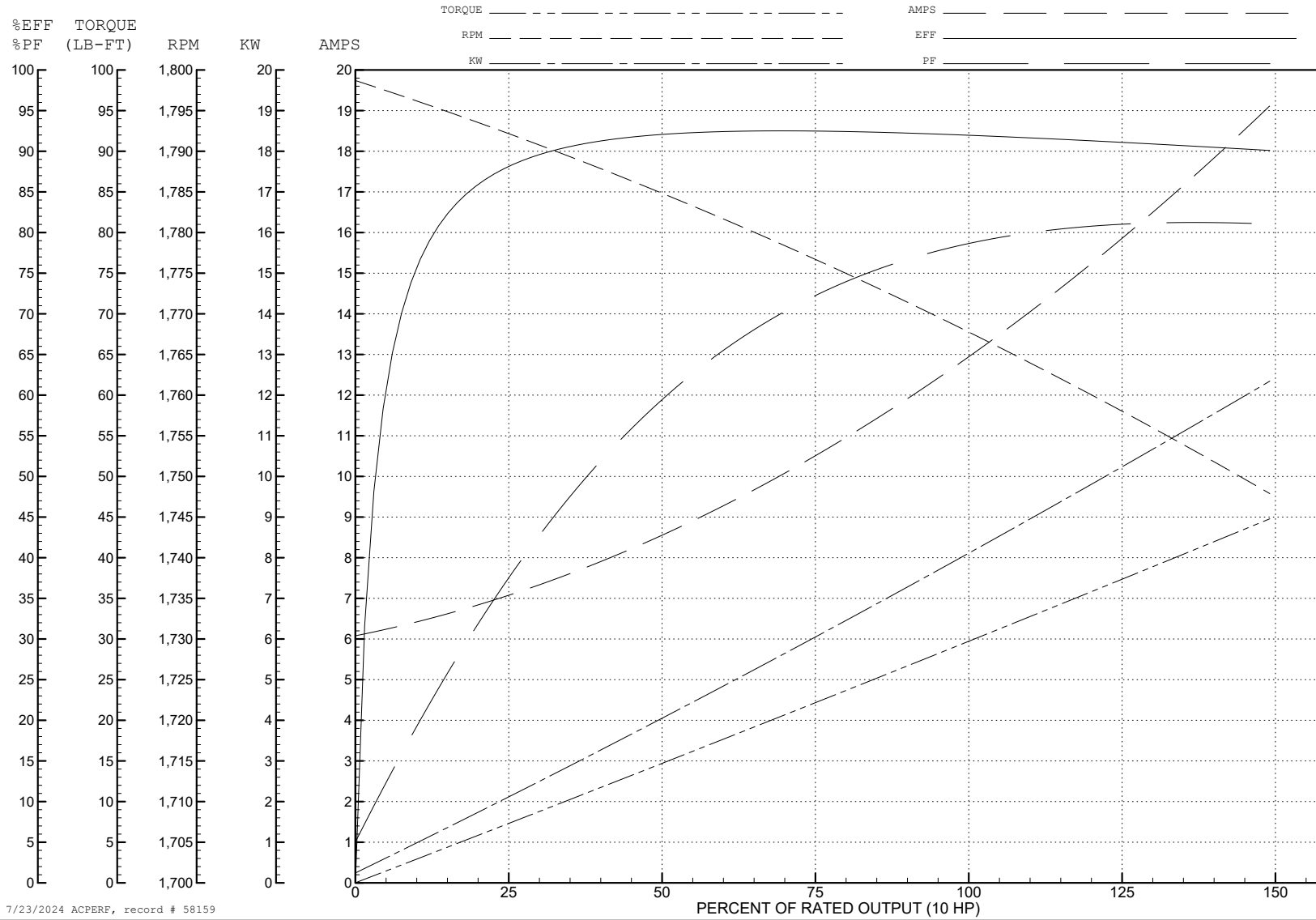
ABB Motors and Mechanical Inc.

WINDING # 37WGT851

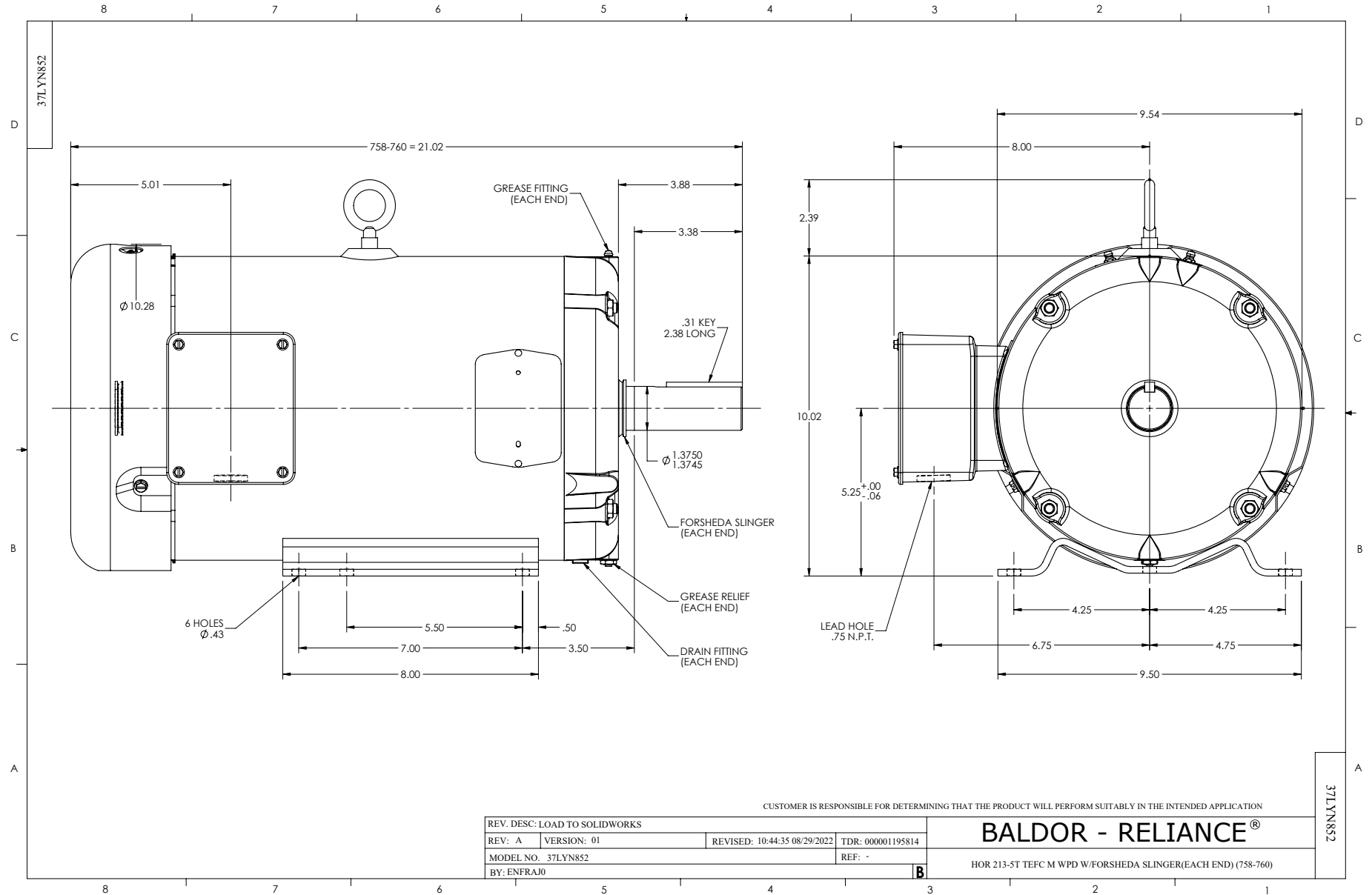
Typical performance - not guaranteed values.

10 HP 3 PH 60 HZ 1770 RPM 460 V 3760M

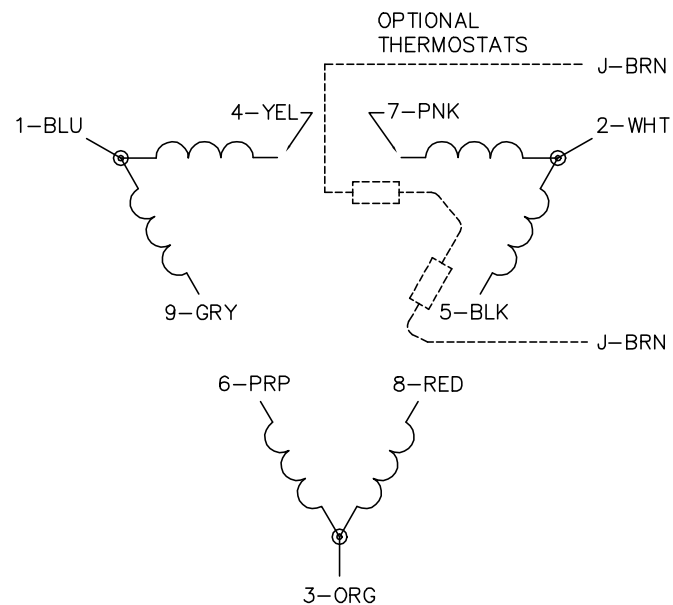
TORQUES (LB-FT): PO=94.5 PU=54 LR=91.1 LRA=90.1



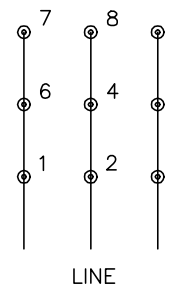
7/23/2024 ACPERF, record # 58159



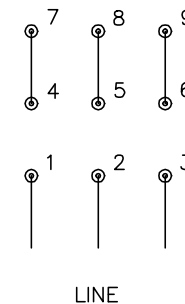
CD0180



LOW VOLTAGE
(2D)



HIGH VOLTAGE
(1D)



NOTES:

1. INTERCHANGE ANY TWO LINE LEADS TO REVERSE ROTATION.
2. OPTIONAL THERMOSTATS ARE PROVIDED WHEN SPECIFIED.
3. ACTUAL NUMBER OF INTERNAL PARALLEL CIRCUITS MAY BE A MULTIPLE OF THOSE SHOWN ABOVE.
4. LEAD COLORS ARE OPTIONAL. LEADS MUST ALWAYS BE NUMBERED AS SHOWN.

CD0180

REV. DESC: ADD CLASS CONN00000007		
REV. LTR: D	VERSION: 01	TDR: 000001099922
FILE: \AAA\00005\148	REVISED: 10: 25: 29 02/19/2019	BY: ENBRIRO
MTL: -	© □	

BALDOR - RELIANCE®

3PH, DV, 9 LEADS, DELTA CONNECTION

SH 1 of 1