

ABB BALDOR RELIANCE III

Customer information packet

EM3713T

15HP, 3495RPM, 3PH, 60HZ, 215T, 3744M, TEFC, F1

Class - None

Division - Not Applicable

Specifications

Enclosure	TEFC
Frame	215T
Frame Material	Steel
Frequency	60.00 Hz
Haz Area Class and Group	None
Haz Area Division	Not Applicable
Motor Letter Type	Three Phase
Output @ Frequency	15.000 HP @ 60 HZ
Phase	3
Synchronous Speed @ Frequency	3600 RPM @ 60 HZ
Voltage @ Frequency	230.0 V @ 60 HZ 460.0 V @ 60 HZ
Agency Approvals	CURUSEEV NEMA PREMIUM
Ambient Temperature	40 °C
Auxiliary Box	NO AUXILLARY BOX
Auxiliary Box Lead Termination	None
Base Indicator	Rigid
Bearing Grease Type	Polyrex EM (-20F +300F)
Blower	None
Current @ Voltage	35.500 A @ 230.0 V 17.700 A @ 460.0 V
Design Code	B
Drip Cover	No Drip Cover
Duty Rating	CONT
Efficiency @ 100% Load	91.0 %
Electrically Isolated Bearing	Not Electrically Isolated
Feedback Device	NO FEEDBACK
Front Shaft Indicator	None
Heater Indicator	No Heater
High Voltage Full Load Amps	17.7 a
Insulation Class	F

Part Detail

Revision	A
Type	AC
Mech. spec.	37H244
Base	
Status	PRD/A
Elec. spec.	37WGZ713
Layout	37LYH244
Eff. date	04-06-2026
CD Diagram	CD0180
Poles	02
Leads	9#14
Proprietary	False
Created date	11-07-2025

Inverter Code	Inverter Ready
KVA Code	H
Lifting Lugs	Standard Lifting Lugs
Locked Bearing Indicator	No Locked Bearing
Motor Lead Quantity/Wire Size	9 @ 14 AWG
Motor Lead Termination	Flying Leads
Motor Standards	NEMA
Motor Type	3744M
Mounting Arrangement	F1
Number of Poles	2
Overall Length	19.02 IN
Power Factor	86
Product Family	General Purpose
Pulley End Bearing Type	Ball
Pulley Face Code	Standard
Pulley Shaft Indicator	Standard
Rodent Screen	None
Service Factor	1.15
Shaft Diameter	1.375 IN
Shaft Ground Indicator	No Shaft Grounding
Shaft Rotation	Reversible
Shaft Slinger Indicator	No Slinger
Speed	3495 rpm
Speed Code	Single Speed
Starting Method	Direct on line
Thermal Device - Bearing	None
Thermal Device - Winding	None
Vibration Sensor Indicator	No Vibration Sensor
Winding Thermal 1	None
Winding Thermal 2	None

Nameplate

NP3441LUA

CAT.NO.	EM3713T						
SPEC	37H244Z713						
HP	15						
VOLTS	230/460						
AMPS	35.5/17.7						
RPM	3495						
FRAME	215T	HZ	60	PH	3		
SF	1.15	CODE	J	DES	A	CLASS	F
NEMA NOM. EFF	91	PF	86				
RATING	40C AMB-CONT						
CC	010A						
ENCL	TEFC	SER					
DE	6307	ODE	6206				
VPWM INVERTER READY	SFA 40.4/20.2						
CT6-60H(10:1)VT3-60H(20:1)	50HZ 15HP 190/380V 40.8/20.4A					SF1.0	

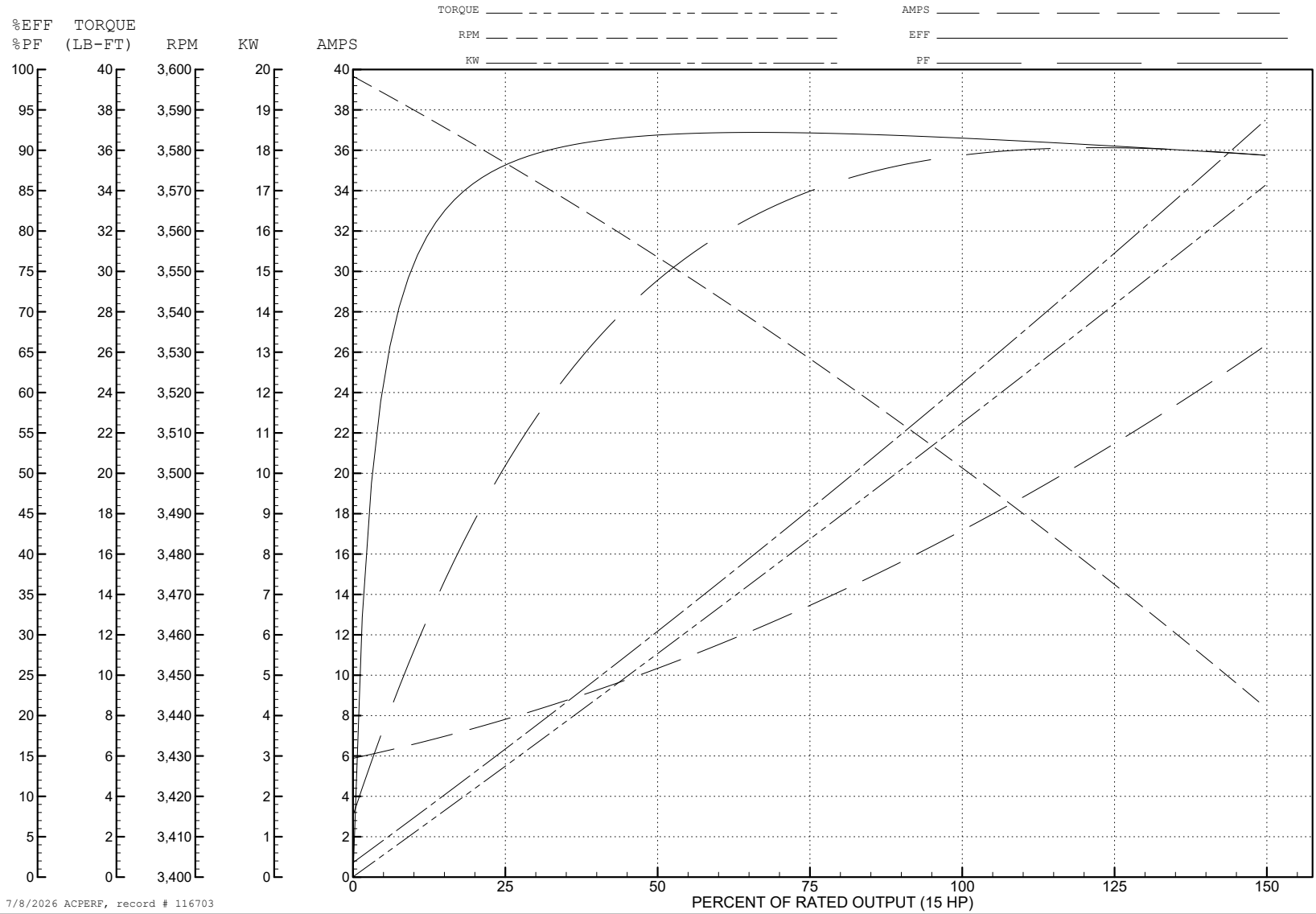
ABB Motors and Mechanical Inc.

WINDING # 37WGZ713

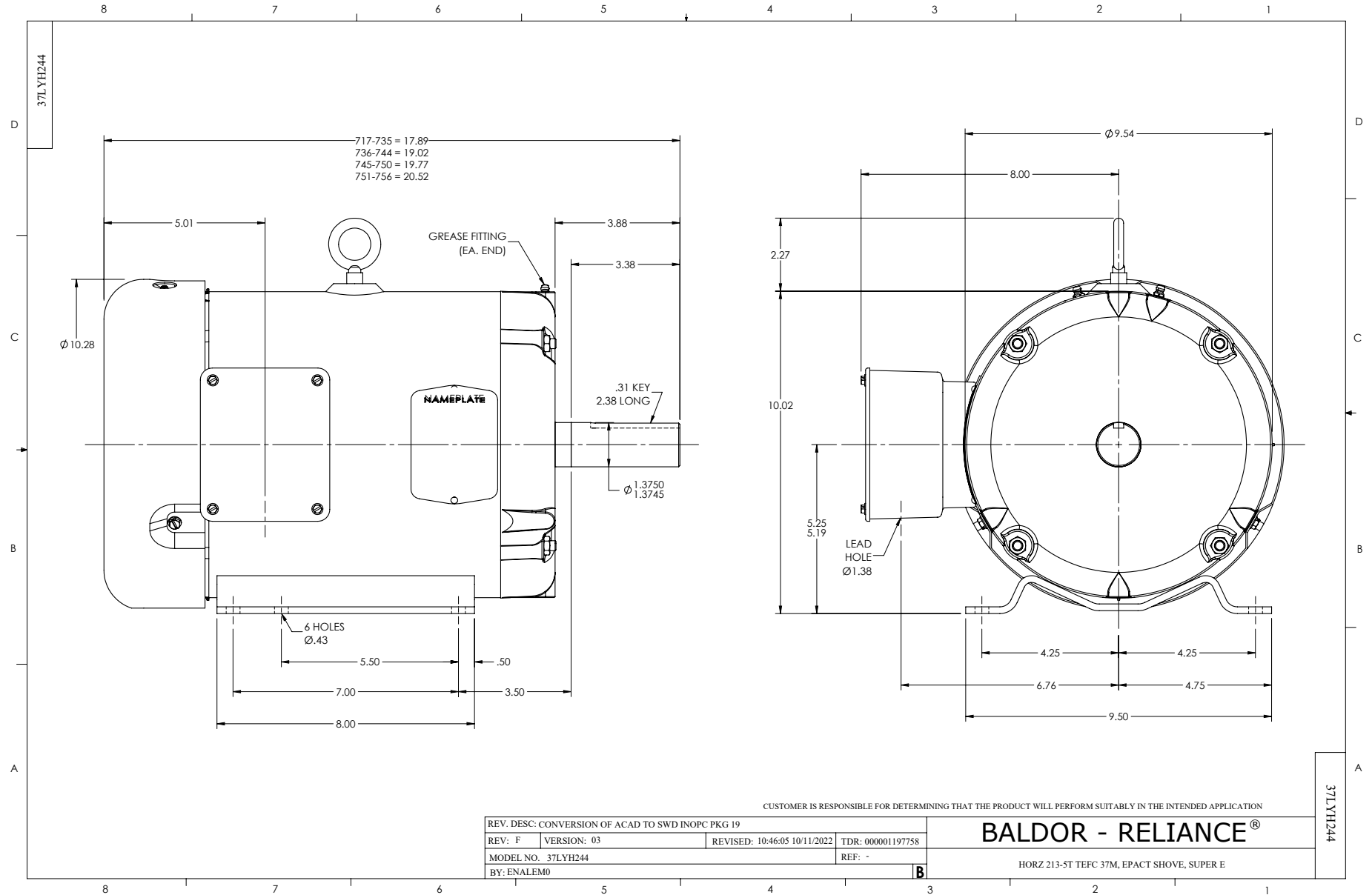
Typical performance - not guaranteed values.

15 HP 3 PH 60 HZ 3495 RPM 460 V 3744M

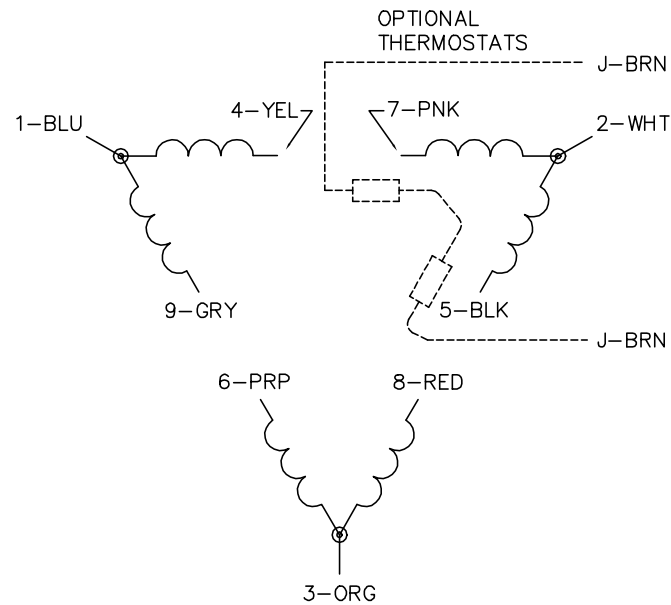
TORQUES (LB-FT): PO=119 PU=38 LR=54.1 LRA=146



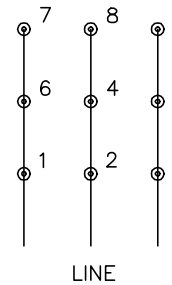
7/8/2026 ACPERF, record # 116703



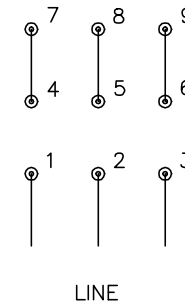
CD0180



LOW VOLTAGE
(2D)



HIGH VOLTAGE
(1D)



NOTES:

1. INTERCHANGE ANY TWO LINE LEADS TO REVERSE ROTATION.
2. OPTIONAL THERMOSTATS ARE PROVIDED WHEN SPECIFIED.
3. ACTUAL NUMBER OF INTERNAL PARALLEL CIRCUITS MAY BE A MULTIPLE OF THOSE SHOWN ABOVE.
4. LEAD COLORS ARE OPTIONAL. LEADS MUST ALWAYS BE NUMBERED AS SHOWN.

CD0180

REV. DESC: ADD CLASS CONN00000007		
REV. LTR: D	VERSION: 01	TDR: 000001099922
FILE: \AAA\00005\148	REVISED: 10:25:29 02/19/2019	BY: ENBRIRO
MTL: -	© □	

BALDOR - RELIANCE®

3PH, DV, 9 LEADS, DELTA CONNECTION

SH 1 of 1