

**BALDOR • RELIANCE**

---

# Customer information packet

## EM3661T-8

32M 4P TEFC HOR 182T SUPER E

Class - None

Division - Not Applicable

## Specifications

Enclosure	TEFC
Frame	182T
Frame Material	Iron
Frequency	60.00 Hz
Haz Area Class and Group	None
Haz Area Division	Not Applicable
Motor Letter Type	Three Phase
Output @ Frequency	3.000 HP @ 60 HZ
Phase	3
Synchronous Speed @ Frequency	1800 RPM @ 60 HZ
Voltage @ Frequency	200.0 V @ 60 HZ
Agency Approvals	CSA EEV NEMA PREMIUM NEMA_PREMIUM UR
Ambient Temperature	40 °C
Auxillary Box	No Auxillary Box
Auxillary Box Lead Termination	None
Base Indicator	Rigid
Bearing Grease Type	Polyrex EM (-20F +300F)
Blower	None
Current @ Voltage	9.500 A @ 200.0 V
Design Code	B
Drip Cover	No Drip Cover
Duty Rating	CONT
Efficiency @ 100% Load	89.5 %
Electrically Isolated Bearing	Not Electrically Isolated
Feedback Device	NO FEEDBACK
Front Shaft Indicator	None
Heater Indicator	No Heater
High Voltage Full Load Amps	9.5 a
Insulation Class	F

## Part detail

Revision	D
Type	AC
Mech. spec.	06C101
Base	
Status	PRD/A
Elec. spec.	06WGX323
Layout	06LYC101
Eff. date	08-05-2024
CD Diagram	CD0006
Poles	04
Leads	3#16
Proprietary	False
Created date	12-14-2018

<b>Inverter Code</b>	Inverter Ready
<b>IP Rating</b>	NONE
<b>KVA Code</b>	J
<b>Lifting Lugs</b>	Standard Lifting Lugs
<b>Locked Bearing Indicator</b>	No Locked Bearing
<b>Motor Lead Quantity/Wire Size</b>	3 @ 16 AWG
<b>Motor Lead Termination</b>	Flying Leads
<b>Motor Standards</b>	NEMA
<b>Motor Type</b>	0632M
<b>Mounting Arrangement</b>	F1
<b>Number of Poles</b>	4
<b>Overall Length</b>	15.24 IN
<b>Power Factor</b>	77
<b>Product Family</b>	General Purpose
<b>Pulley End Bearing Type</b>	Ball
<b>Pulley Face Code</b>	Standard
<b>Pulley Shaft Indicator</b>	Standard
<b>Rodent Screen</b>	None
<b>RoHS Status</b>	ROHS COMPLIANT
<b>Service Factor</b>	1.15
<b>Shaft Diameter</b>	1.125 IN
<b>Shaft Ground Indicator</b>	No Shaft Grounding
<b>Shaft Rotation</b>	Reversible
<b>Shaft Slinger Indicator</b>	No Slinger
<b>Speed</b>	1755 rpm
<b>Speed Code</b>	Single Speed
<b>Starting Method</b>	Direct on line
<b>Thermal Device - Bearing</b>	None
<b>Thermal Device - Winding</b>	None
<b>Vibration Sensor Indicator</b>	No Vibration Sensor
<b>Winding Thermal 1</b>	None
<b>Winding Thermal 2</b>	None

**Nameplate**

<b>NP3441L</b>									
<b>CAT.NO.</b>	EM3661T-8								
<b>SPEC.</b>	06C101X323G1								
<b>HP</b>	3								
<b>VOLTS</b>	200								
<b>AMP</b>	9.5								
<b>RPM</b>	1755								
<b>FRAME</b>	182T		<b>HZ</b>	60		<b>PH</b>	3		
<b>SER.F.</b>	1.15	<b>CODE</b>	J	<b>DES</b>	B	<b>CL</b>	F		
<b>NEMA-NOM-EFF</b>	89.5	<b>PF</b>	77						
<b>RATING</b>	40C AMB-CONT								
<b>CC</b>	010A								
<b>DE</b>	6206		<b>ODE</b>	6205					
<b>ENCL</b>	TEFC	<b>SN</b>							
<b>VPWM INVERTER READY</b>									
<b>CT6-60H(10:1)VT3-60H(20:1)</b>									

**Accessories**

<b>Part number</b>	<b>Description</b>	<b>Multiplier</b>
36-1749	C FACE KIT	A8

**AC Induction Motor Performance Data**

Record # 35620

Typical performance - not guaranteed values

Winding: 06WGX323-R001		Type: 0632M	Enclosure: TEFC	
<b>Nameplate Data</b>			<b>200 V, 60 Hz: Single Voltage Motor</b>	
Rated Output (HP)	3	Full Load Torque	9.07 LB-FT	
Volts	200	Start Configuration	direct on line	
Full Load Amps	9.5	Breakdown Torque	33.13 LB-FT	
R.P.M.	1755	Pull-up Torque	18.25 LB-FT	
Hz	60 Phase	Locked-rotor Torque	20.45 LB-FT	
NEMA Design Code	B KVA Code	Starting Current	68.91 A	
Service Factor (S.F.)	1.15	No-load Current	4.98 A	
NEMA Nom. Eff.	89.5 Power Factor	Line-line Res. @ 25°C	0.764 Ω	
Rating - Duty	40C AMB-CONT	Temp. Rise @ Rated Load	35°C	
S.F. Amps		Temp. Rise @ S.F. Load	43°C	
		Locked-rotor Power Factor	42	
		Rotor inertia	0.298 LB-FT <sup>2</sup>	

**Load Characteristics 200 V, 60 Hz, 3 HP**

% of Rated Load	25	50	75	100	125	150	S.F.
Power Factor	38	58	70	77	81	83	79
Efficiency	83.2	88.7	89.9	89.6	89	87.5	89.2
Speed	1790	1780	1769	1757	1745	1730	1750
Line amperes	5.43	6.45	7.84	9.46	11.33	13.5	10.6

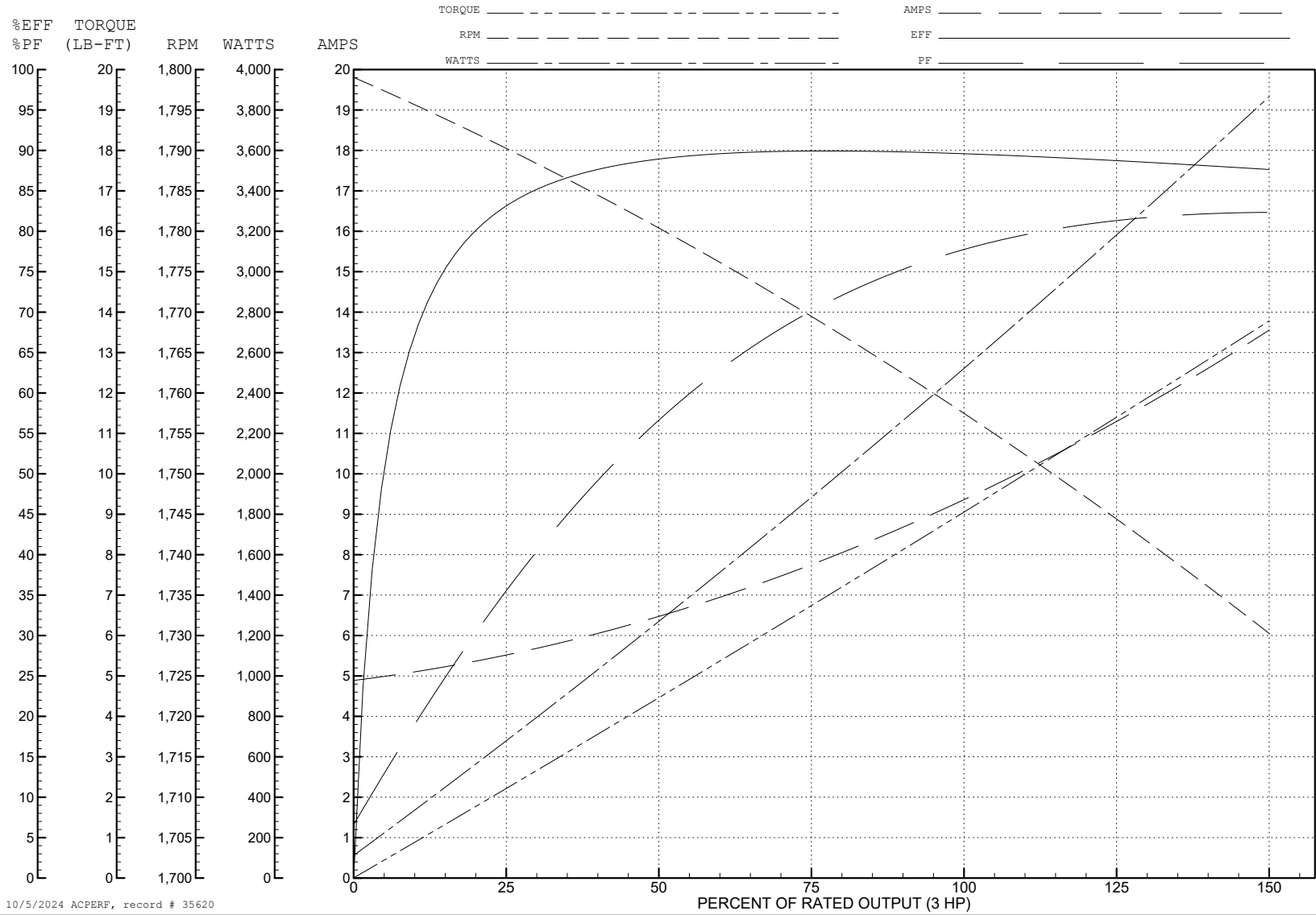
ABB Motors and Mechanical Inc.

WINDING # 06WX323

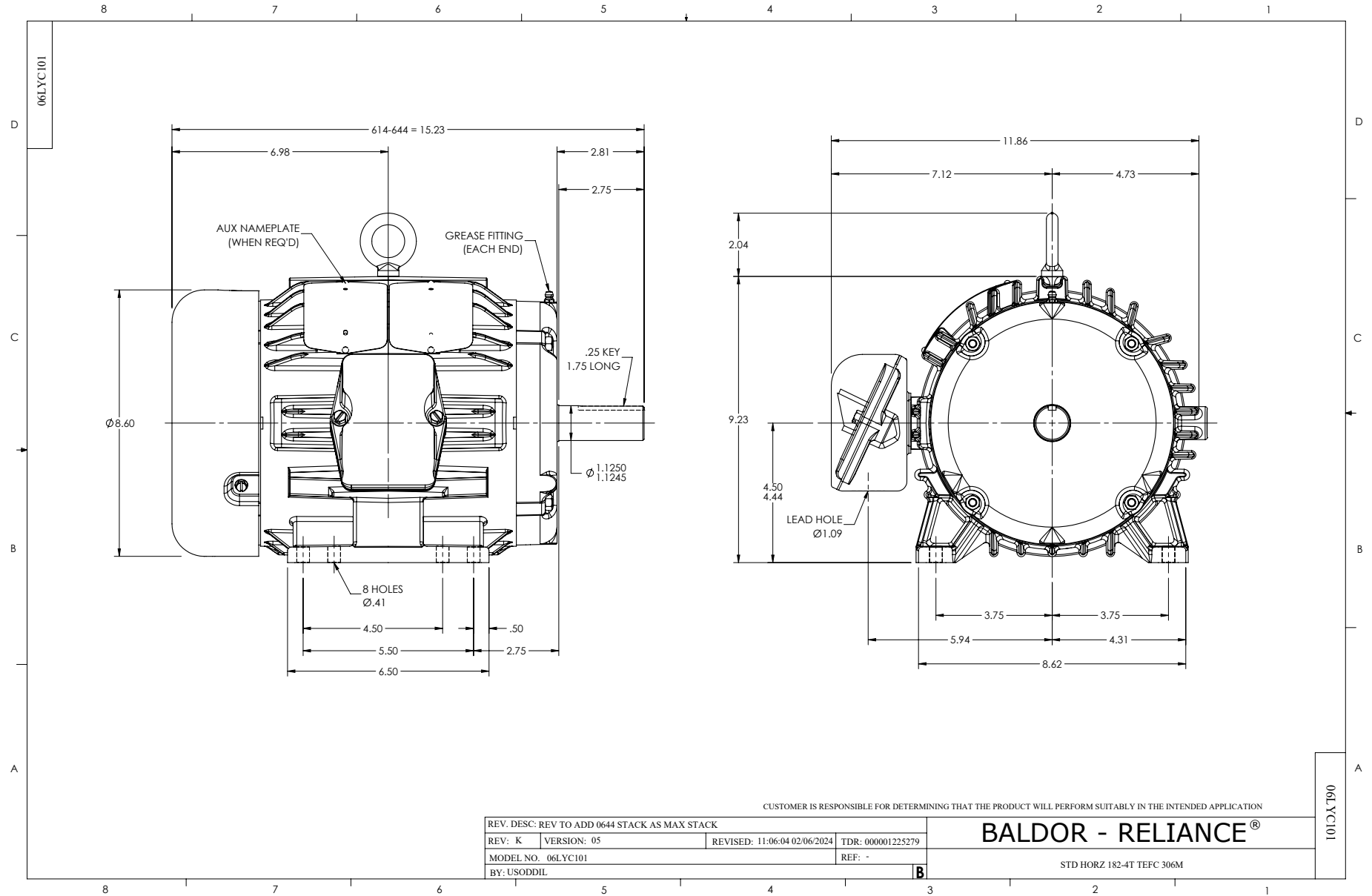
3 HP 3 PH 60 HZ 1755 RPM 200 V 0632M

Typical performance - not guaranteed values.

TORQUES (LB-FT): PO=33.13 PU=18.25 LR=20.45 LRA=68.91

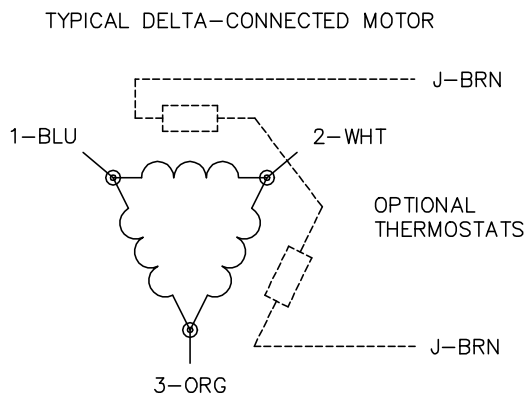
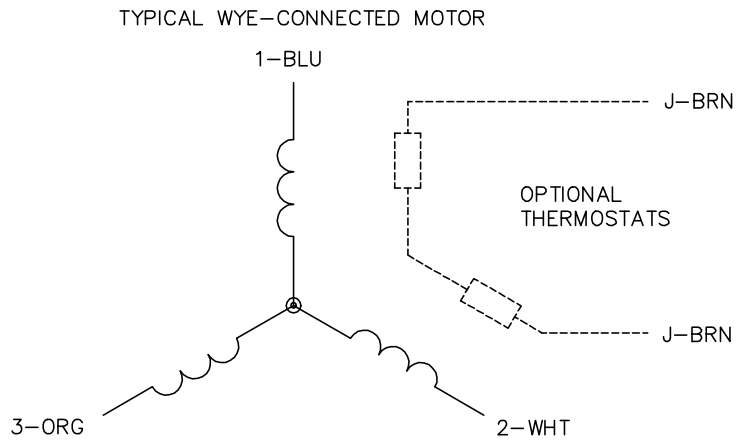


10/5/2024 ACPERF, record # 35620





CD0006



NOTES:

1. THREE LEAD MOTOR MAY BE EITHER WYE CONNECTED OR DELTA CONNECTED.
2. INTERCHANGE ANY TWO LINE LEADS TO REVERSE ROTATION.
3. OPTIONAL THERMOSTATS ARE PROVIDED WHEN SPECIFIED.
4. ACTUAL NUMBER OF INTERNAL PARALLEL CIRCUITS MAY VARY.
5. LEAD COLORS ARE OPTIONAL. LEADS MUST BE NUMBERED AS SHOWN.

CD0006

REV. DESC: ADD CLASS CONN00000007		
REV. LTR: E	VERSION: 01	TDR: 000001099922
FILE: \AAA\00005\141	REVISED: 10:24:49 02/19/2019	BY: ENBRIRO
MTL: -	© □	

**BALDOR - RELIANCE®**

3PH, SV, 3 LEADS, WYE OR DELTA CONNECTED

SH 1 of 1