



Customer information packet

EM3615T-5

5HP, 1750RPM, 3PH, 60HZ, 184T, 3642M, TEFC, F1

Class - None

Division - Not Applicable

Specifications

Enclosure	TEFC
Frame	184T
Frame Material	Steel
Frequency	60.00 Hz
Haz Area Class and Group	None
Haz Area Division	Not Applicable
Motor Letter Type	Three Phase
Output @ Frequency	5.000 HP @ 60 HZ
Phase	3
Synchronous Speed @ Frequency	1800 RPM @ 60 HZ
Voltage @ Frequency	575.0 V @ 60 HZ
Agency Approvals	NEMA PREMIUM NEMA_PREMIUM UR CSA EEV
Ambient Temperature	40 °C
Auxillary Box	No Auxillary Box
Auxillary Box Lead Termination	None
Base Indicator	Rigid
Bearing Grease Type	Polyrex EM (-20F +300F)
Blower	None
Current @ Voltage	5.300 A @ 575.0 V
Design Code	B
Drip Cover	No Drip Cover
Duty Rating	CONT
Efficiency @ 100% Load	89.5 %
Electrically Isolated Bearing	Not Electrically Isolated
Feedback Device	NO FEEDBACK
Front Shaft Indicator	None
Heater Indicator	No Heater
High Voltage Full Load Amps	5.3 a
Insulation Class	F

Part detail

Revision	C
Type	AC
Mech. spec.	36G271
Base	
Status	PRD/A
Elec. spec.	36WGQ037
Layout	36LYG271
Eff. date	06-03-2024
CD Diagram	CD0006
Poles	04
Leads	3#16
Proprietary	False
Created date	12-14-2020

Inverter Code	Inverter Ready
KVA Code	J
Lifting Lugs	Standard Lifting Lugs
Locked Bearing Indicator	No Locked Bearing
Motor Lead Quantity/Wire Size	3 @ 16 AWG
Motor Lead Termination	Flying Leads
Motor Standards	NEMA
Motor Type	3642M
Mounting Arrangement	F1
Number of Poles	4
Overall Length	18.05 IN
Power Factor	80
Product Family	General Purpose
Pulley End Bearing Type	Ball
Pulley Face Code	Standard
Pulley Shaft Indicator	Standard
Rodent Screen	None
Service Factor	1.15
Shaft Diameter	1.125 IN
Shaft Ground Indicator	No Shaft Grounding
Shaft Rotation	Reversible
Shaft Slinger Indicator	No Slinger
Speed	1750 rpm
Speed Code	Single Speed
Starting Method	Direct on line
Thermal Device - Bearing	None
Thermal Device - Winding	None
Vibration Sensor Indicator	No Vibration Sensor
Winding Thermal 1	None
Winding Thermal 2	None

Nameplate**NP3441L**

CAT.NO.	EM3615T-5						
SPEC.	36G271Q037G1						
HP	5						
VOLTS	575						
AMP	5.3						
RPM	1750						
FRAME	184T		HZ	60		PH	3
SER.F.	1.15	CODE	J	DES	B	CL	F
NEMA-NOM-EFF	89.5	PF	80				
RATING	40C AMB-CONT						
CC	010A						
DE	6206	ODE	6205				
ENCL	TEFC	SN					

VPWM INVERTER READY**CT6-60H(10:1)VT3-60H(20:1)**

Accessories

Part number	Description	Multiplier
36-3301	C FACE KIT	A8
36EP1304A62SP	FLANGE MTD ENDPLATE 182-4TD -ENCL (LESS	A8

AC Induction Motor Performance Data

Record # 85833

Typical performance - not guaranteed values

Winding: 36WGQ037-R001		Type: 3642M		Enclosure: TEFC	
Nameplate Data			575 V, 60 Hz: Single Voltage Motor		
Rated Output (HP)	5	Full Load Torque	15 LB-FT		
Volts	575	Start Configuration	direct on line		
Full Load Amps	5.3	Breakdown Torque	51.1 LB-FT		
R.P.M.	1750	Pull-up Torque	29.1 LB-FT		
Hz	60 Phase	3	Locked-rotor Torque	32.3 LB-FT	
NEMA Design Code	B	KVA Code	J	Starting Current	39.8 A
Service Factor (S.F.)	1.15		No-load Current	2.49 A	
NEMA Nom. Eff.	89.5	Power Factor	78	Line-line Res. @ 25°C	3.78 Ω
Rating - Duty	40C AMB-CONT		Temp. Rise @ Rated Load	72°C	
S.F. Amps	5.9		Temp. Rise @ S.F. Load	96°C	
			Locked-rotor Power Factor	47.8	
			Rotor inertia	0.391 lb-ft ²	

Load Characteristics 575 V, 60 Hz, 5 HP

% of Rated Load	25	50	75	100	125	150	S.F.
Power Factor	41	63	74	80	83	84	82
Efficiency	82.2	88.3	89.9	89.6	88.3	86.6	88.9
Speed	1789	1778	1766	1753	1738	1722	1744
Line amperes	2.75	3.38	4.22	5.24	6.42	7.71	5.93

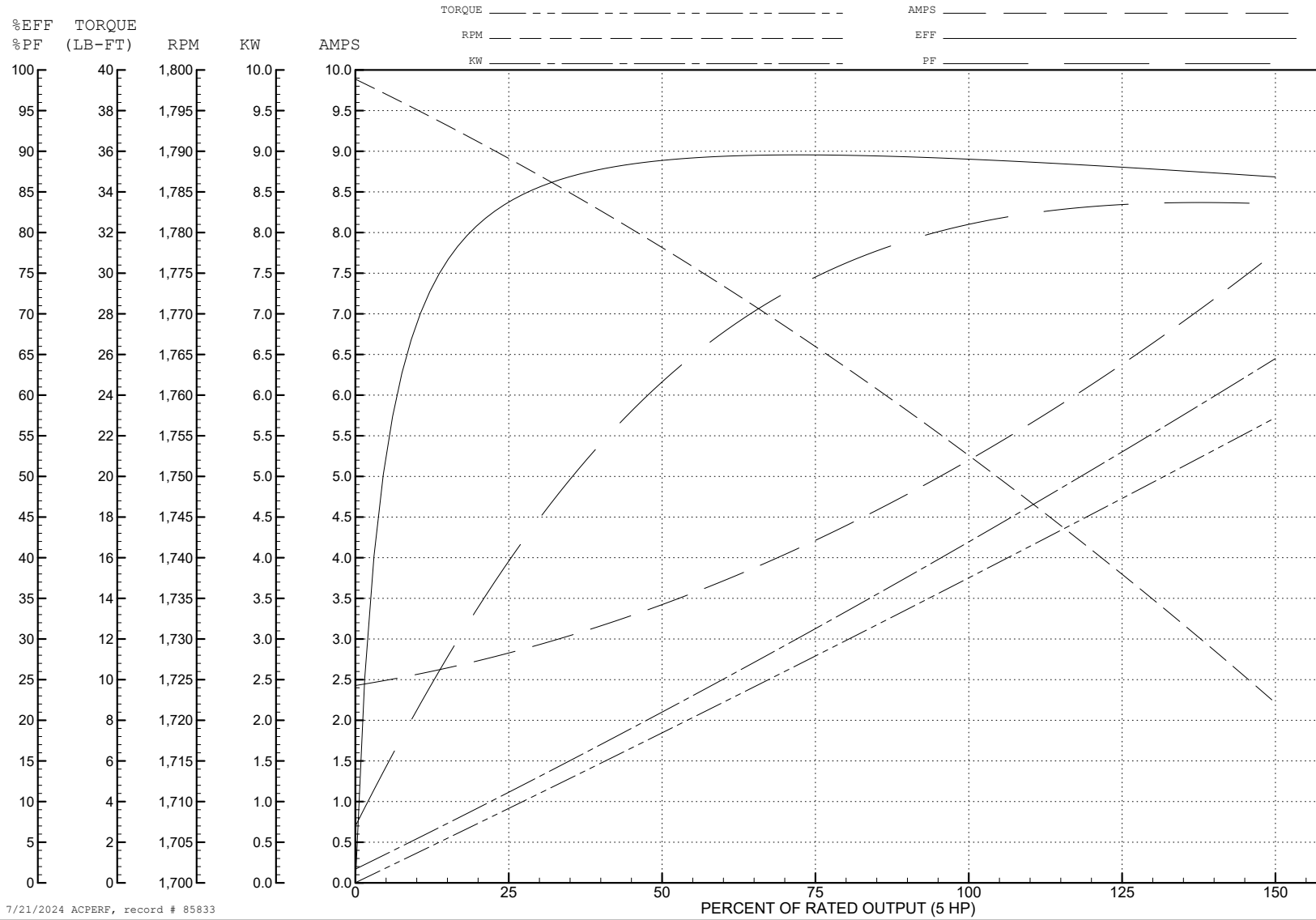
ABB Motors and Mechanical Inc.

WINDING # 36WGQ037

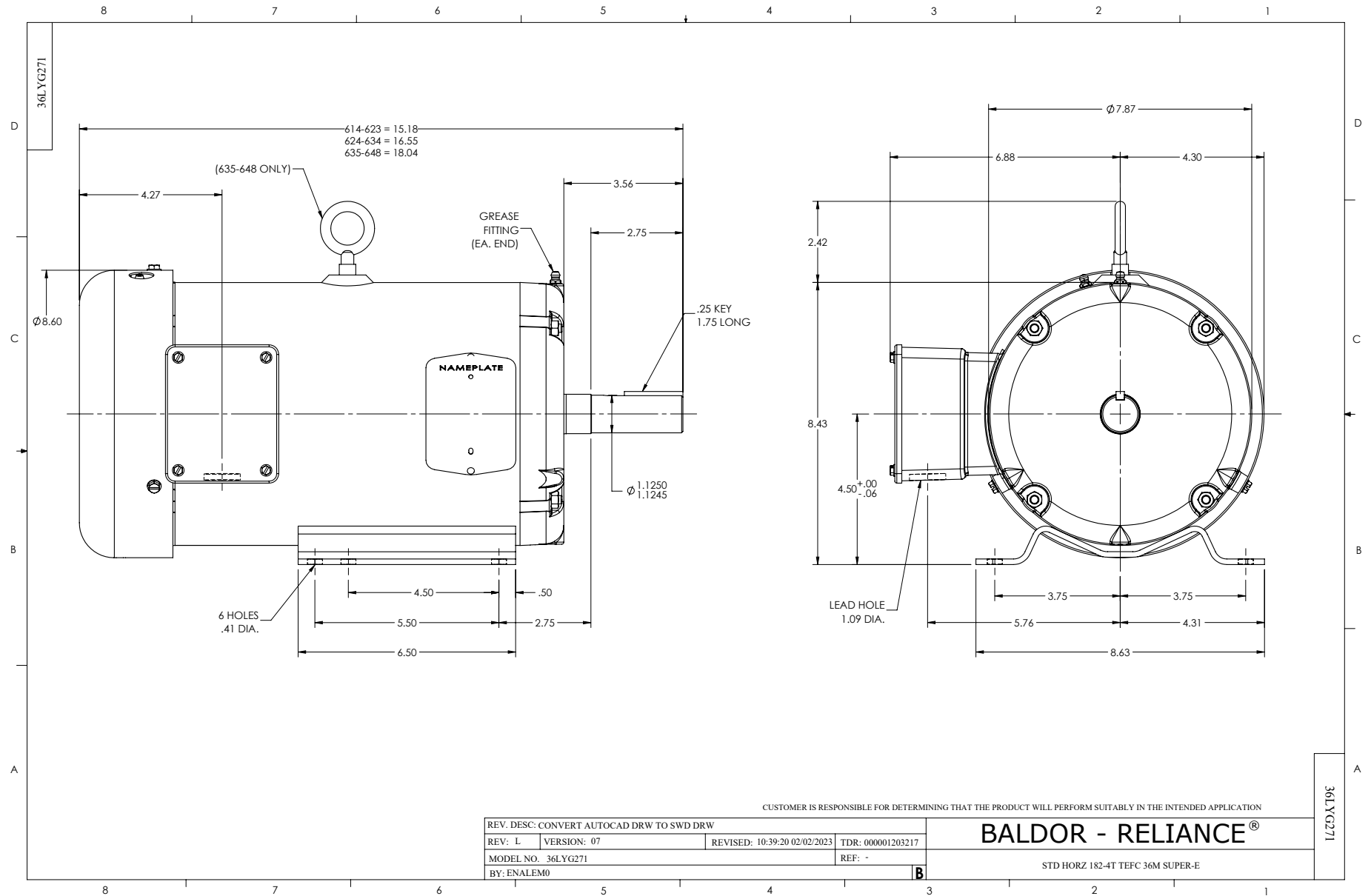
5 HP 3 PH 60 HZ 1750 RPM 575 V 3642M

Typical performance - not guaranteed values.

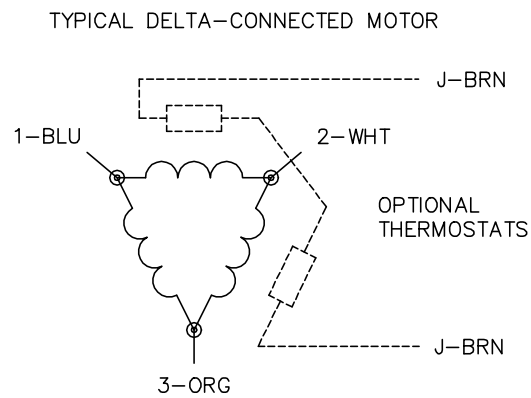
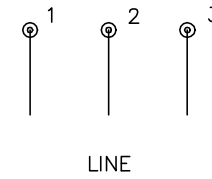
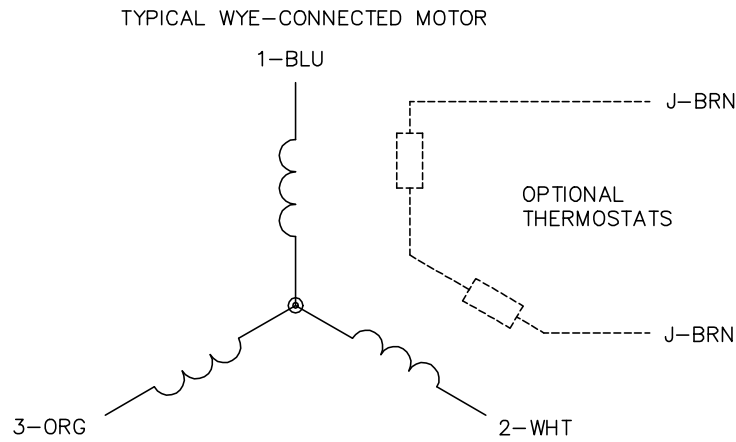
TORQUES (LB-FT): PO=51.1 PU=29.1 LR=32.3 LRA=39.8



7/21/2024 ACPERF, record # 85833



CD0006



NOTES:

1. THREE LEAD MOTOR MAY BE EITHER WYE CONNECTED OR DELTA CONNECTED.
2. INTERCHANGE ANY TWO LINE LEADS TO REVERSE ROTATION.
3. OPTIONAL THERMOSTATS ARE PROVIDED WHEN SPECIFIED.
4. ACTUAL NUMBER OF INTERNAL PARALLEL CIRCUITS MAY VARY.
5. LEAD COLORS ARE OPTIONAL. LEADS MUST BE NUMBERED AS SHOWN.

CD0006

REV. DESC: ADD CLASS CONN00000007		
REV. LTR: E	VERSION: 01	TDR: 000001099922
FILE: \AAA\00005\141	REVISED: 10:24:49 02/19/2019	BY: ENBRIRO
MTL: -	© □	

BALDOR - RELIANCE®

3PH, SV, 3 LEADS, WYE OR DELTA CONNECTED

SH 1 of 1