

BALDOR • RELIANCE

Customer information packet

EM3582T

1HP, 1170RPM, 3PH, 60HZ, 145T, 0526M, TEFC, F1

Class - None

Division - Not Applicable

Specifications

Enclosure	TEFC
Frame	145T
Frame Material	Iron
Frequency	60.00 Hz
Haz Area Class and Group	None
Haz Area Division	Not Applicable
Motor Letter Type	Three Phase
Output @ Frequency	1.000 HP @ 60 HZ
Phase	3
Synchronous Speed @ Frequency	1200 RPM @ 60 HZ
Voltage @ Frequency	230.0 V @ 60 HZ 460.0 V @ 60 HZ
Agency Approvals	NEMA PREMIUM NEMA_PREMIUM UR CSA EEV
Ambient Temperature	40 °C
Auxillary Box	No Auxillary Box
Auxillary Box Lead Termination	None
Base Indicator	Rigid
Bearing Grease Type	Polyrex EM (-20F +300F)
Blower	None
Current @ Voltage	1.500 A @ 460.0 V 3.000 A @ 230.0 V
Design Code	B
Drip Cover	No Drip Cover
Duty Rating	CONT
Efficiency @ 100% Load	82.5 %
Electrically Isolated Bearing	Not Electrically Isolated
Feedback Device	NO FEEDBACK
Front Shaft Indicator	None
Heater Indicator	No Heater

Part detail

Revision	C
Type	AC
Mech. spec.	05C001
Base	
Status	PRD/A
Elec. spec.	05WGX571
Layout	05LYC001
Eff. date	04-29-2024
CD Diagram	CD0005
Poles	06
Leads	9#18 Y
Proprietary	False
Created date	09-09-2022

High Voltage Full Load Amps	1.5 a
Insulation Class	F
Inverter Code	Inverter Ready
KVA Code	J
Lifting Lugs	Standard Lifting Lugs
Locked Bearing Indicator	No Locked Bearing
Motor Lead Quantity/Wire Size	9 @ 18 AWG
Motor Lead Termination	Flying Leads
Motor Standards	NEMA
Motor Type	0526M
Mounting Arrangement	F1
Number of Poles	6
Overall Length	12.53 IN
Power Factor	67
Product Family	General Purpose
Pulley End Bearing Type	Ball
Pulley Face Code	Standard
Pulley Shaft Indicator	Standard
Rodent Screen	None
Service Factor	1.15
Shaft Diameter	0.875 IN
Shaft Ground Indicator	No Shaft Grounding
Shaft Rotation	Reversible
Shaft Slinger Indicator	No Slinger
Speed	1170 rpm
Speed Code	Single Speed
Starting Method	Direct on line
Thermal Device - Bearing	None
Thermal Device - Winding	None
Vibration Sensor Indicator	No Vibration Sensor
Winding Thermal 1	None
Winding Thermal 2	None

Nameplate

NP3441LUA

CAT.NO.	EM3582T						
SPEC	05C001X571G1						
HP	1						
VOLTS	230/460						
AMPS	3/1.5						
RPM	1170						
FRAME	145T		HZ	60		PH	3
SF	1.15	CODE	J	DES	B	CLASS	F
NEMA NOM. EFF	82.5	PF	67				
RATING	40C AMB-CONT						
CC	010A						
ENCL	TEFC	SER					
DE	6205	ODE	6203				
VPWM INVERTER READY	SFA 3.8/1.9						
CT6-60H(10:1)VT3-60H(20:1)							

Accessories

Part number	Description	Multiplier
35-1300	C FACE KIT	A8

AC Induction Motor Performance Data

Record # 82289

Typical performance - not guaranteed values

Winding: 05WGX571-R001		Type: 0526M		Enclosure: TEFC	
Nameplate Data			460 V, 60 Hz: High Voltage Connection		
Rated Output (HP)	1	Full Load Torque	4.479 LB-FT		
Volts	230/460	Start Configuration	direct on line		
Full Load Amps	3.4/1.7	Breakdown Torque	11.9 LB-FT		
R.P.M.	1155	Pull-up Torque	7.06 LB-FT		
Hz	60 Phase	3	Locked-rotor Torque	8.62 LB-FT	
NEMA Design Code	B KVA Code	J	Starting Current	9.06 A	
Service Factor (S.F.)		1.15	No-load Current	1.02 A	
NEMA Nom. Eff.	82.5 Power Factor	67	Line-line Res. @ 25°C	20.372 Ω	
Rating - Duty	40C AMB-CONT		Temp. Rise @ Rated Load	46°C	
S.F. Amps			Temp. Rise @ S.F. Load	56°C	
			Locked-rotor Power Factor	48.3	

Load Characteristics 460 V, 60 Hz, 1 HP

% of Rated Load	25	50	75	100	125	150	S.F.
Power Factor	29	47	1	1	1	1	1
Efficiency	73.5	81.9	83.5	83.1	81.6	79.1	82.2
Speed	1192.5	1185.4	1177.6	1168.7	1159	1147	1163
Line amperes	1.07	1.21	1.41	1.67	1.98	2.35	1.86

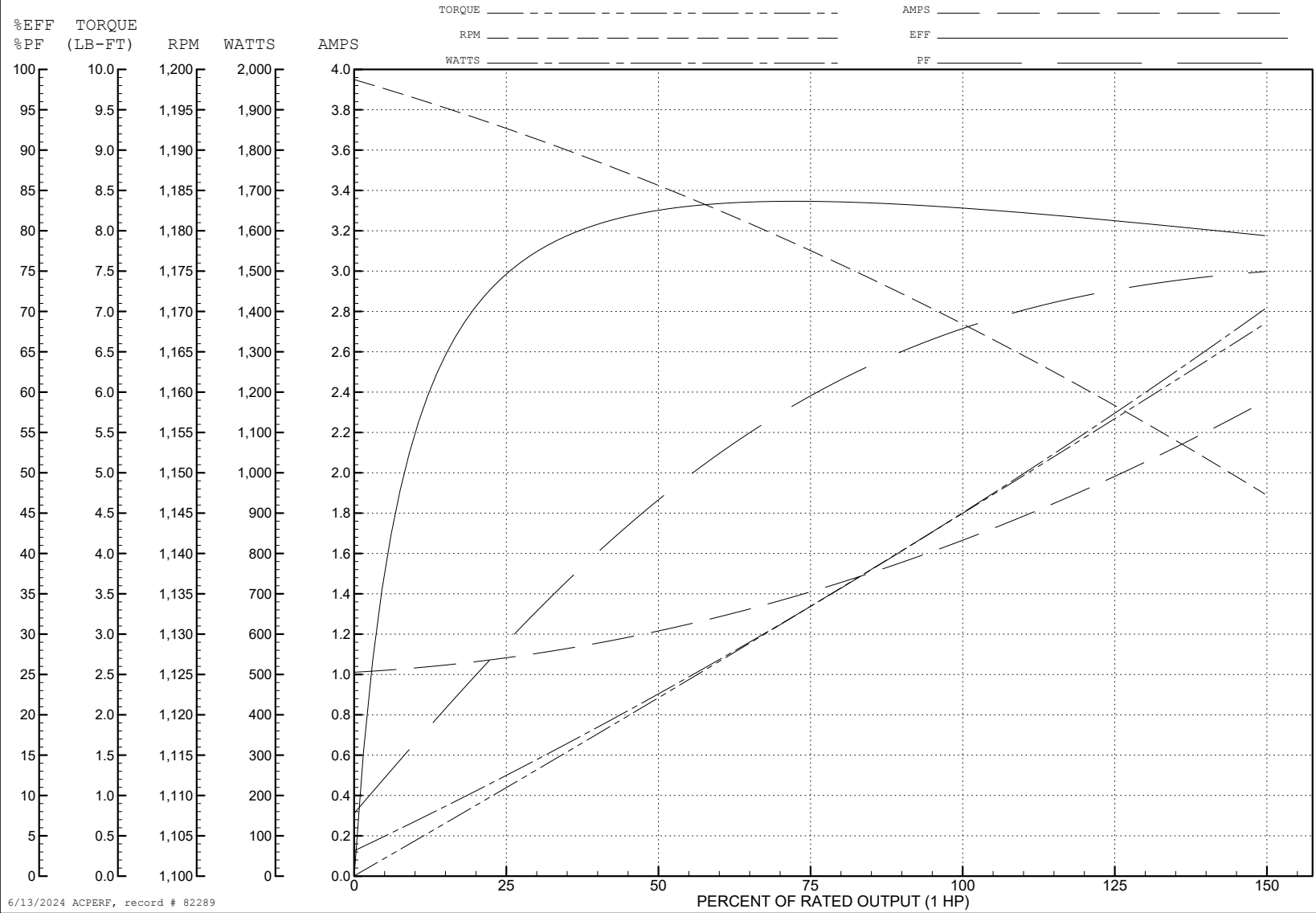
ABB Motors and Mechanical Inc.

WINDING # 05WGX571

Typical performance - not guaranteed values.

1 HP 3 PH 60 HZ 1155 RPM 460 V 0526M

TORQUES (LB-FT): PO=11.9 PU=7.06 LR=8.62 LRA=9.06



6/13/2024 ACPERF, record # 82289

AC Induction Motor Performance Data

Record # 90733

Typical performance - not guaranteed values

Winding: 05WGX571-R006		Type: 0526M		Enclosure: TEFC			
Nameplate Data			460 V, 60 Hz: High Voltage Connection				
Rated Output (HP)	1	Full Load Torque	4.48 LB-FT				
Volts	230/460	Start Configuration	direct on line				
Full Load Amps	3.4/1.7	Breakdown Torque	11.9 LB-FT				
R.P.M.	1155	Pull-up Torque	7.06 LB-FT				
Hz	60 Phase	3	Locked-rotor Torque	8.62 LB-FT			
NEMA Design Code	B	KVA Code	J	Starting Current	9.06 A		
Service Factor (S.F.)	1.15		No-load Current	1.02 A			
NEMA Nom. Eff.	82.5	Power Factor	67	Line-line Res. @ 25°C	21.1 Ω		
Rating - Duty	40C AMB-CONT		Temp. Rise @ Rated Load	46°C			
S.F. Amps			Temp. Rise @ S.F. Load	56°C			
			Locked-rotor Power Factor	48.3025			
			Rotor inertia	0.189 lb-ft ²			

Load Characteristics 460 V, 60 Hz, 1 HP

% of Rated Load	25	50	75	100	125	150	S.F.
Power Factor	29	47	59	67	72	75	70
Efficiency	73.6	81.7	83.5	83.2	81.6	79.1	82.2
Speed	1193	1185	1178	1169	1159	1147	1163
Line amperes	1.07	1.21	1.41	1.67	1.98	2.35	1.86

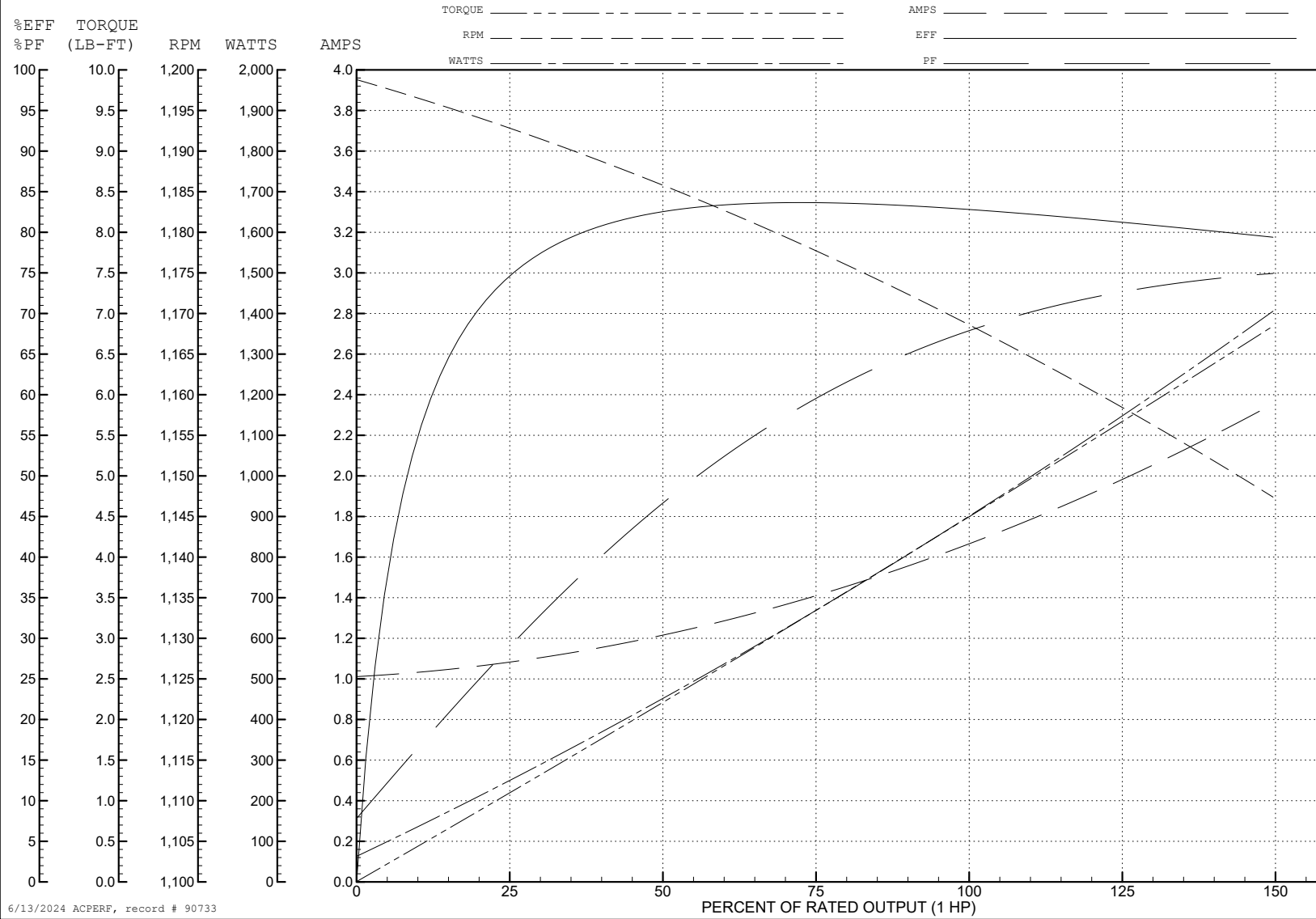
ABB Motors and Mechanical Inc.

WINDING # 05WGX571

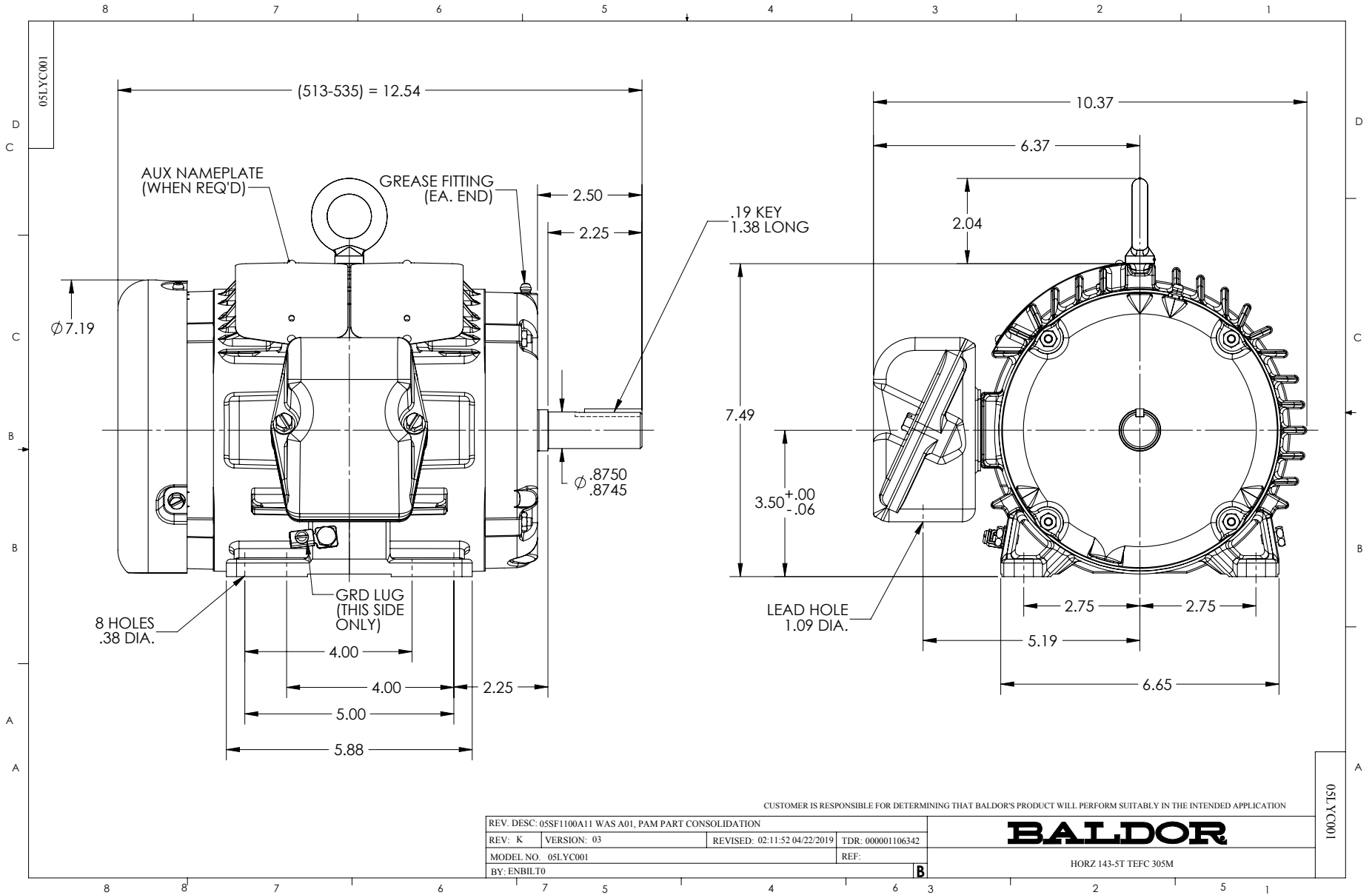
Typical performance - not guaranteed values.

1 HP 3 PH 60 HZ 1155 RPM 460 V 0526M

TORQUES (LB-FT): PO=11.9 PU=7.06 LR=8.62 LRA=9.06



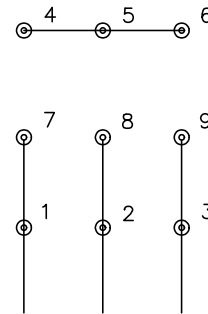
6/13/2024 ACPERF, record # 90733



CD0005

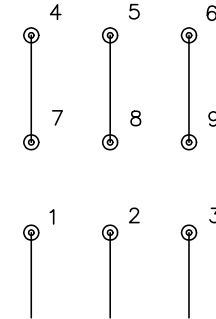


LOW VOLTAGE
(2Y)



LINE

HIGH VOLTAGE
(1Y)



LINE

NOTES:

1. INTERCHANGE ANY TWO LINE LEADS TO REVERSE ROTATION.
2. OPTIONAL THERMOSTATS ARE PROVIDED WHEN SPECIFIED.
3. ACTUAL NUMBER OF INTERNAL PARALLEL CIRCUITS MAY BE A MULTIPLE OF THOSE SHOWN ABOVE.
4. LEAD COLORS ARE OPTIONAL. LEADS MUST ALWAYS BE NUMBERED AS SHOWN.

CD0005

REV. DESC: REVISE TO SHOW OPTIONAL COLORS			
REV. LTR: E	BY: JLP	REVISED: 01/19/99 10:15	TDR: 0171435
S00000		FILE: AAA00005140	MDL: -
		MTL: -	

BALDOR ELECTRIC Co.

3PH, DV, 9 LEADS