



Customer information packet

EM3559-5

3HP, 3450RPM, 3PH, 60HZ, 56H, 3532M, TEFC, F1, N

Class - None

Division - Not Applicable

Specifications

Enclosure	TEFC
Frame	56H
Frame Material	Steel
Frequency	60.00 Hz
Haz Area Class and Group	None
Haz Area Division	Not Applicable
Motor Letter Type	Three Phase
Output @ Frequency	3.000 HP @ 60 HZ
Phase	3
Synchronous Speed @ Frequency	3600 RPM @ 60 HZ
Voltage @ Frequency	575.0 V @ 60 HZ
Agency Approvals	NEMA PREMIUM CURUSEEV
Ambient Temperature	40 °C
Auxiliary Box	NO AUXILLARY BOX
Auxiliary Box Lead Termination	None
Base Indicator	Rigid
Bearing Grease Type	Polyrex EM (-20F +300F)
Blower	None
Current @ Voltage	2.900 A @ 575.0 V
Design Code	B
Drip Cover	No Drip Cover
Duty Rating	CONT
Efficiency @ 100% Load	86.5 %
Electrically Isolated Bearing	Not Electrically Isolated
Feedback Device	NO FEEDBACK
Front Face Code	Standard
Front Shaft Indicator	None
Heater Indicator	No Heater
High Voltage Full Load Amps	2.9 a
Insulation Class	F
Inverter Code	Inverter Ready

Part detail

Revision	J
Type	AC
Mech. spec.	35H876
Base	
Status	PRD/A
Elec. spec.	35WGM839
Layout	35LYH876
Eff. date	11-07-2024
CD Diagram	CD0006
Poles	02
Leads	3#18
Proprietary	False
Created date	08-03-2015

KVA Code	L
Lifting Lugs	No Lifting Lugs
Locked Bearing Indicator	No Locked Bearing
Motor Lead Exit	Ko Box
Motor Lead Quantity/Wire Size	3 @ 18 AWG
Motor Lead Termination	Flying Leads
Motor Standards	NEMA
Motor Type	3532M
Mounting Arrangement	F1
Number of Poles	2
Overall Length	13.78 IN
Power Factor	92
Product Family	General Purpose
Pulley End Bearing Type	Ball
Pulley Face Code	Standard
Pulley Shaft Indicator	Standard
Rodent Screen	None
RoHS Status	ROHS COMPLIANT
Service Factor	1.15
Shaft Diameter	0.625 IN
Shaft Extension Location	Pulley End
Shaft Ground Indicator	No Shaft Grounding
Shaft Rotation	Reversible
Shaft Slinger Indicator	No Slinger
Speed	3450 rpm
Speed Code	Single Speed
Starting Method	Direct on line
Thermal Device - Bearing	None
Thermal Device - Winding	None
Vibration Sensor Indicator	No Vibration Sensor
Winding Thermal 1	None
Winding Thermal 2	None

Nameplate**NP3441L**

CAT.NO.	EM3559-5						
SPEC.	35H876M839G1						
HP	3						
VOLTS	575						
AMP	2.9						
RPM	3450						
FRAME	56H		HZ	60		PH	3
SER.F.	1.15	CODE	L	DES	B	CL	F
NEMA-NOM-EFF	86.5	PF	92				
RATING	40C AMB-CONT						
CC	010A						
DE	6205		ODE	6203			
ENCL	TEFC	SN					

VPWM INVERTER READY**CT6-60H(10:1)VT3-60H(20:1)**

AC Induction Motor Performance Data

Record # 32143

Typical performance - not guaranteed values

Winding: 35WGM839-R001		Type: 3532M	Enclosure: TEFC	
Nameplate Data			575 V, 60 Hz: Single Voltage Motor	
Rated Output (HP)	3	Full Load Torque	4.5 LB-FT	
Volts	575	Start Configuration	direct on line	
Full Load Amps	2.9	Breakdown Torque	17.8 LB-FT	
R.P.M.	3450	Pull-up Torque	10.9 LB-FT	
Hz	60 Phase	Locked-rotor Torque	15.8 LB-FT	
NEMA Design Code	B KVA Code	Starting Current	26.1 A	
Service Factor (S.F.)	1.15	No-load Current	0.948 A	
NEMA Nom. Eff.	86.5 Power Factor	Line-line Res. @ 25°C	7.47 Ω	
Rating - Duty	40C AMB-CONT	Temp. Rise @ Rated Load	61°C	
S.F. Amps		Temp. Rise @ S.F. Load	74°C	
		Locked-rotor Power Factor	47	
		Rotor inertia	0.0885 LB-FT ²	

Load Characteristics 575 V, 60 Hz, 3 HP

% of Rated Load	25	50	75	100	125	150	S.F.
Power Factor	58	77	86	88	89	90	89
Efficiency	83.8	87.9	88.1	87.2	85.5	83.4	86.2
Speed	3562	3531	3497	3461	3419	3373	3436
Line amperes	1.19	1.67	2.23	2.88	3.6	4.32	3.31

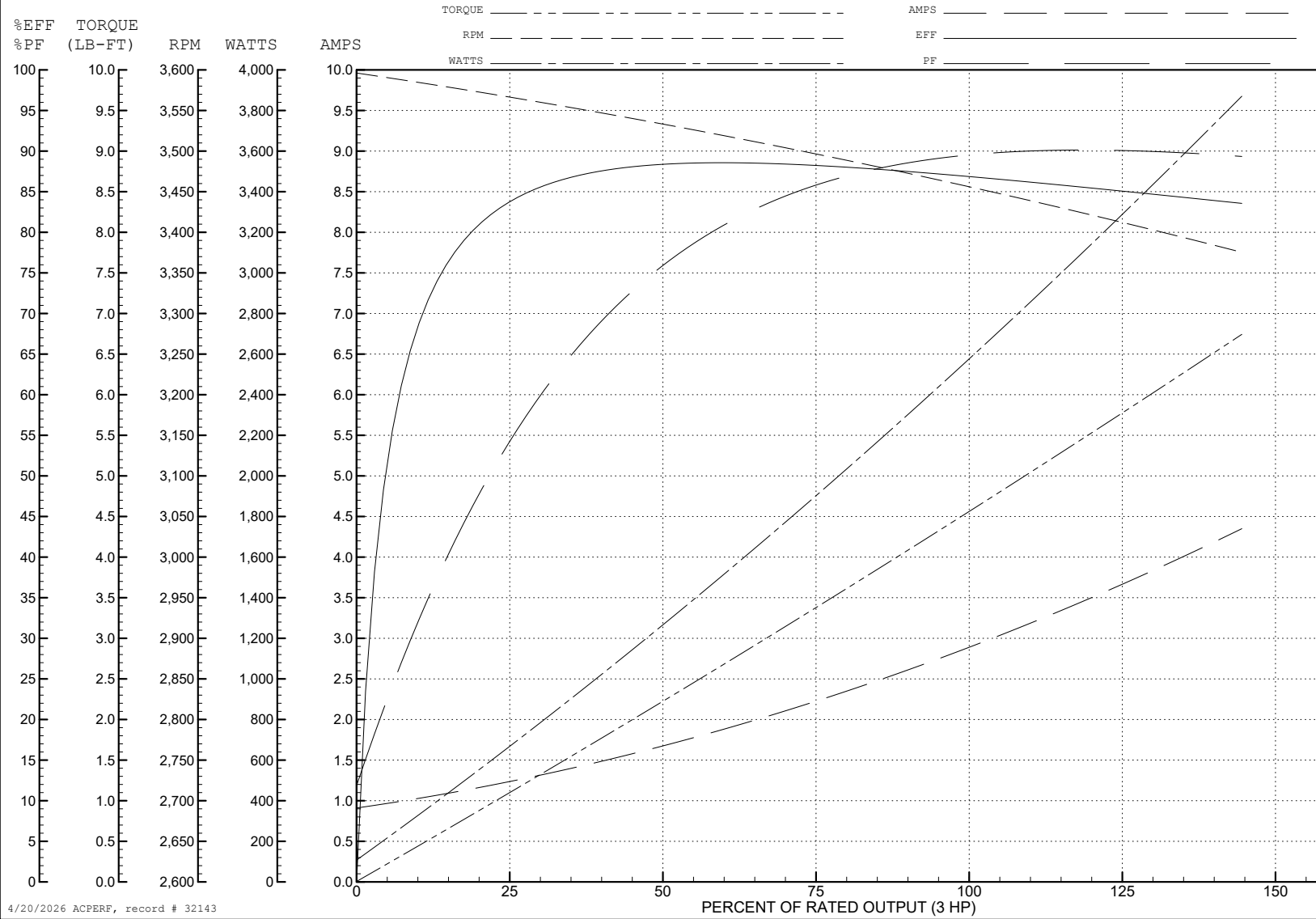
ABB Motors and Mechanical Inc.

WINDING # 35WGM839

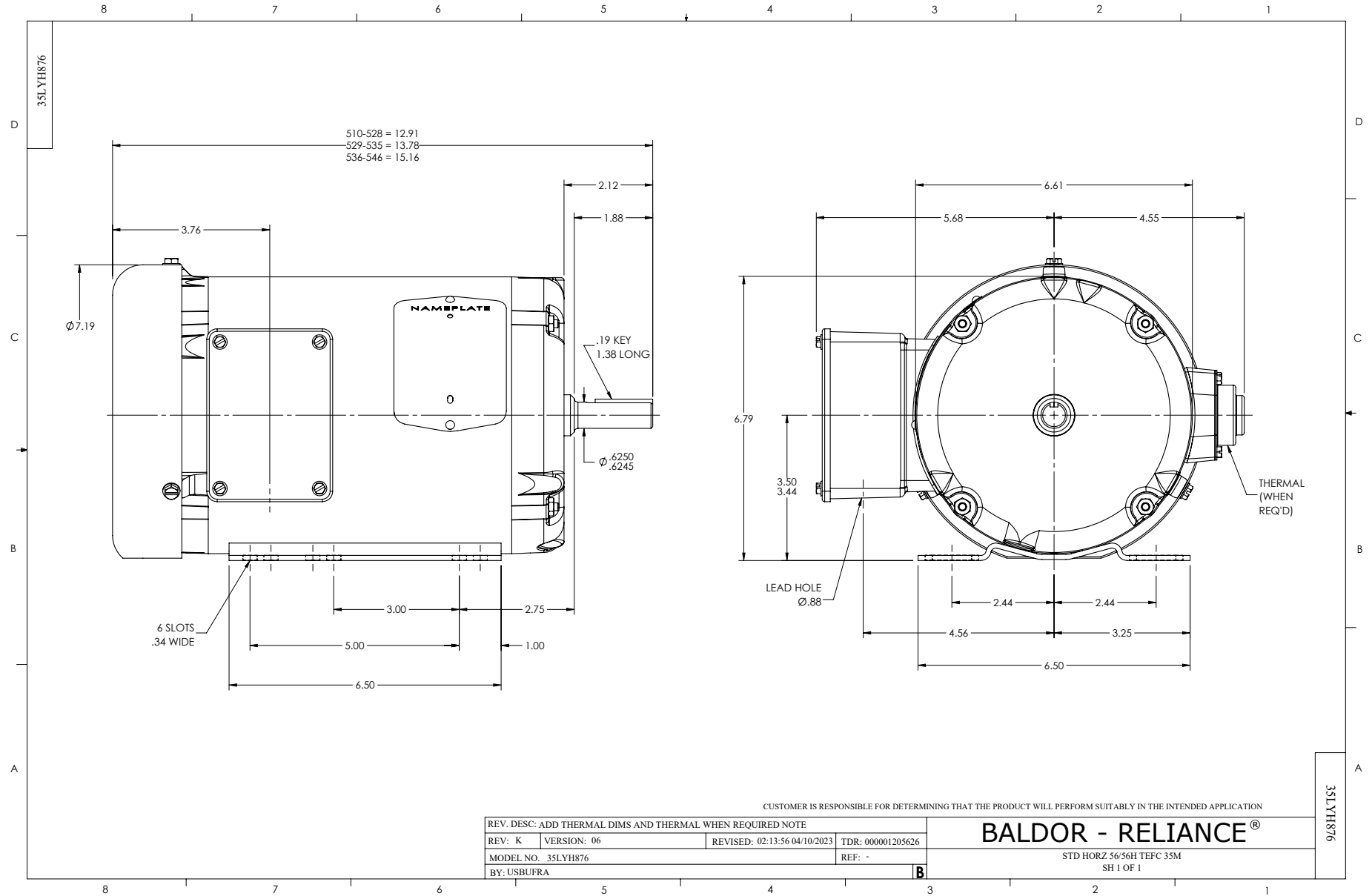
3 HP 3 PH 60 HZ 3450 RPM 575 V 3532M

Typical performance - not guaranteed values.

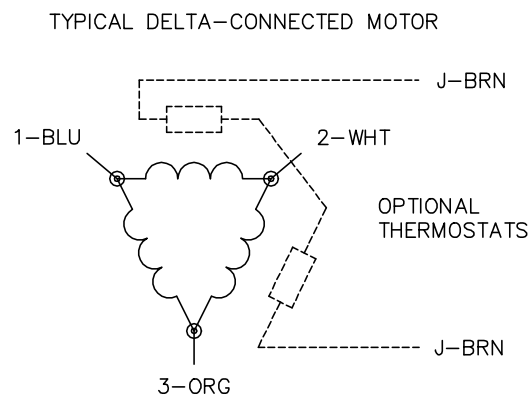
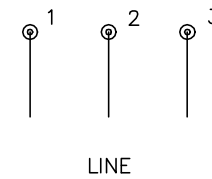
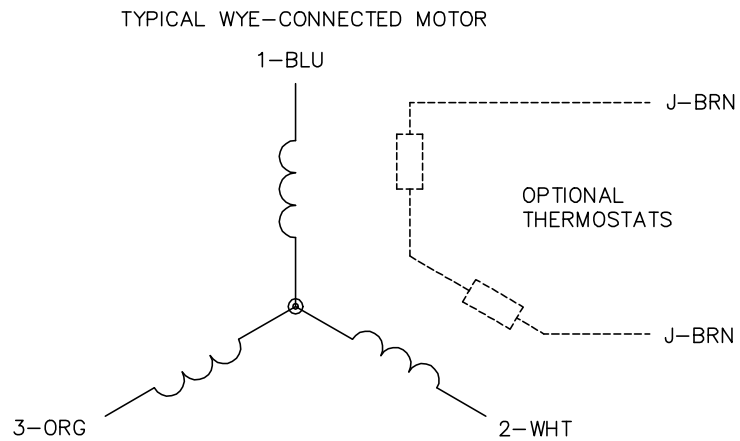
TORQUES (LB-FT): PO=17.8 PU=10.9 LR=15.8 LRA=26.1



4/20/2026 ACPERF, record # 32143



CD0006



NOTES:

1. THREE LEAD MOTOR MAY BE EITHER WYE CONNECTED OR DELTA CONNECTED.
2. INTERCHANGE ANY TWO LINE LEADS TO REVERSE ROTATION.
3. OPTIONAL THERMOSTATS ARE PROVIDED WHEN SPECIFIED.
4. ACTUAL NUMBER OF INTERNAL PARALLEL CIRCUITS MAY VARY.
5. LEAD COLORS ARE OPTIONAL. LEADS MUST BE NUMBERED AS SHOWN.

CD0006

REV. DESC: ADD CLASS CONN00000007		
REV. LTR: E	VERSION: 01	TDR: 000001099922
FILE: \AAA\00005\141	REVISED: 10:24:49 02/19/2019	BY: ENBRIRO
MTL: -	© □	

BALDOR - RELIANCE®

3PH, SV, 3 LEADS, WYE OR DELTA CONNECTED

SH 1 of 1