



---

# Customer information packet

## EM3558T-5G

2HP, 1764RPM, 3PH, 60HZ, 145T, 3528M, TEFC, F1

Class - None

Division - Not Applicable

## Specifications

Enclosure	TEFC
Frame	145T
Frame Material	Steel
Frequency	60.00 Hz
Haz Area Class and Group	None
Haz Area Division	Not Applicable
Motor Letter Type	Three Phase
Output @ Frequency	2.000 HP @ 60 HZ
Phase	3
Synchronous Speed @ Frequency	1800 RPM @ 60 HZ
Voltage @ Frequency	575.0 V @ 60 HZ
Agency Approvals	NEMA PREMIUM NEMA_PREMIUM UR CSA EEV
Ambient Temperature	40 °C
Auxillary Box	No Auxillary Box
Auxillary Box Lead Termination	None
Base Indicator	Rigid
Bearing Grease Type	Polyrex EM (-20F +300F)
Blower	None
Current @ Voltage	2.150 A @ 575.0 V
Design Code	B
Drip Cover	No Drip Cover
Duty Rating	CONT
Efficiency @ 100% Load	86.5 %
Electrically Isolated Bearing	Not Electrically Isolated
Feedback Device	NO FEEDBACK
Front Shaft Indicator	None
Heater Indicator	No Heater
High Voltage Full Load Amps	2.2 a
Insulation Class	H

## Part detail

Revision	G
Type	AC
Mech. spec.	35Z063
Base	
Status	PRD/A
Elec. spec.	35WGG113
Layout	35LYZ063
Eff. date	04-30-2024
CD Diagram	CD0006
Poles	04
Leads	3#18
Proprietary	False
Created date	01-10-2022

Inverter Code	Not Inverter
KVA Code	L
Lifting Lugs	No Lifting Lugs
Locked Bearing Indicator	Locked Bearing
Motor Lead Quantity/Wire Size	3 @ 18 AWG
Motor Lead Termination	Flying Leads
Motor Standards	NEMA
Motor Type	3528M
Mounting Arrangement	F1
Number of Poles	4
Overall Length	13.31 IN
Power Factor	80
Product Family	General Purpose
Pulley End Bearing Type	Ball
Pulley Face Code	Standard
Pulley Shaft Indicator	Standard
Rodent Screen	None
Service Factor	1.15
Shaft Diameter	0.875 IN
Shaft Ground Indicator	Shaft Grounding
Shaft Rotation	Reversible
Shaft Slinger Indicator	No Slinger
Speed	1764 rpm
Speed Code	Single Speed
Starting Method	Direct on line
Thermal Device - Bearing	None
Thermal Device - Winding	None
Vibration Sensor Indicator	No Vibration Sensor
Winding Thermal 1	None
Winding Thermal 2	None

**Nameplate**

<b>NP3441L</b>									
<b>CAT.NO.</b>	EM3558T-5G								
<b>SPEC.</b>	35Z063G113G1								
<b>HP</b>	2								
<b>VOLTS</b>	575								
<b>AMP</b>	2.15								
<b>RPM</b>	1764								
<b>FRAME</b>	145T		<b>HZ</b>	60		<b>PH</b>	3		
<b>SER.F.</b>	1.15	<b>CODE</b>	L	<b>DES</b>	B	<b>CL</b>	H		
<b>NEMA-NOM-EFF</b>	86.5	<b>PF</b>	80						
<b>RATING</b>	40C AMB-CONT								
<b>CC</b>	010A								
<b>DE</b>	6205	<b>ODE</b>	6203						
<b>ENCL</b>	TEFC	<b>SN</b>							
<b>VPWM INVERTER READY</b>									
<b>CT6-60H(10:1)VT3-60H(20:1</b>									
	SFA 2.56								

**AC Induction Motor Performance Data**

Record # 87427

Typical performance - not guaranteed values

Winding: 35WGG113-R002		Type: 3528M	Enclosure: TEFC	
<b>Nameplate Data</b>			<b>575 V, 60 Hz: Single Voltage Motor</b>	
Rated Output (HP)	2	Full Load Torque	5.95 LB-FT	
Volts	575	Start Configuration	direct on line	
Full Load Amps	2.15	Breakdown Torque	23.7 LB-FT	
R.P.M.	1764	Pull-up Torque	14.43 LB-FT	
Hz	60 Phase	3	Locked-rotor Torque	17.45 LB-FT
NEMA Design Code	B KVA Code	L	Starting Current	19.89 A
Service Factor (S.F.)		1.15	No-load Current	1.39 A
NEMA Nom. Eff.	86.5 Power Factor	80	Line-line Res. @ 25°C	15.5 Ω
Rating - Duty	40C AMB-CONT		Temp. Rise @ Rated Load	58°C
S.F. Amps			Temp. Rise @ S.F. Load	71°C
			Locked-rotor Power Factor	57
			Rotor inertia	0.202 lb-ft <sup>2</sup>

**Load Characteristics 575 V, 60 Hz, 2 HP**

% of Rated Load	25	50	75	100	125	150	S.F.
Power Factor	34	54	68	76	81	84	79
Efficiency	77	84.7	86.6	86.3	85.3	83.7	85.7
Speed	1791	1783	1775	1766	1757	1745	1761
Line amperes	1.45	1.64	1.93	2.29	2.74	3.19	2.56

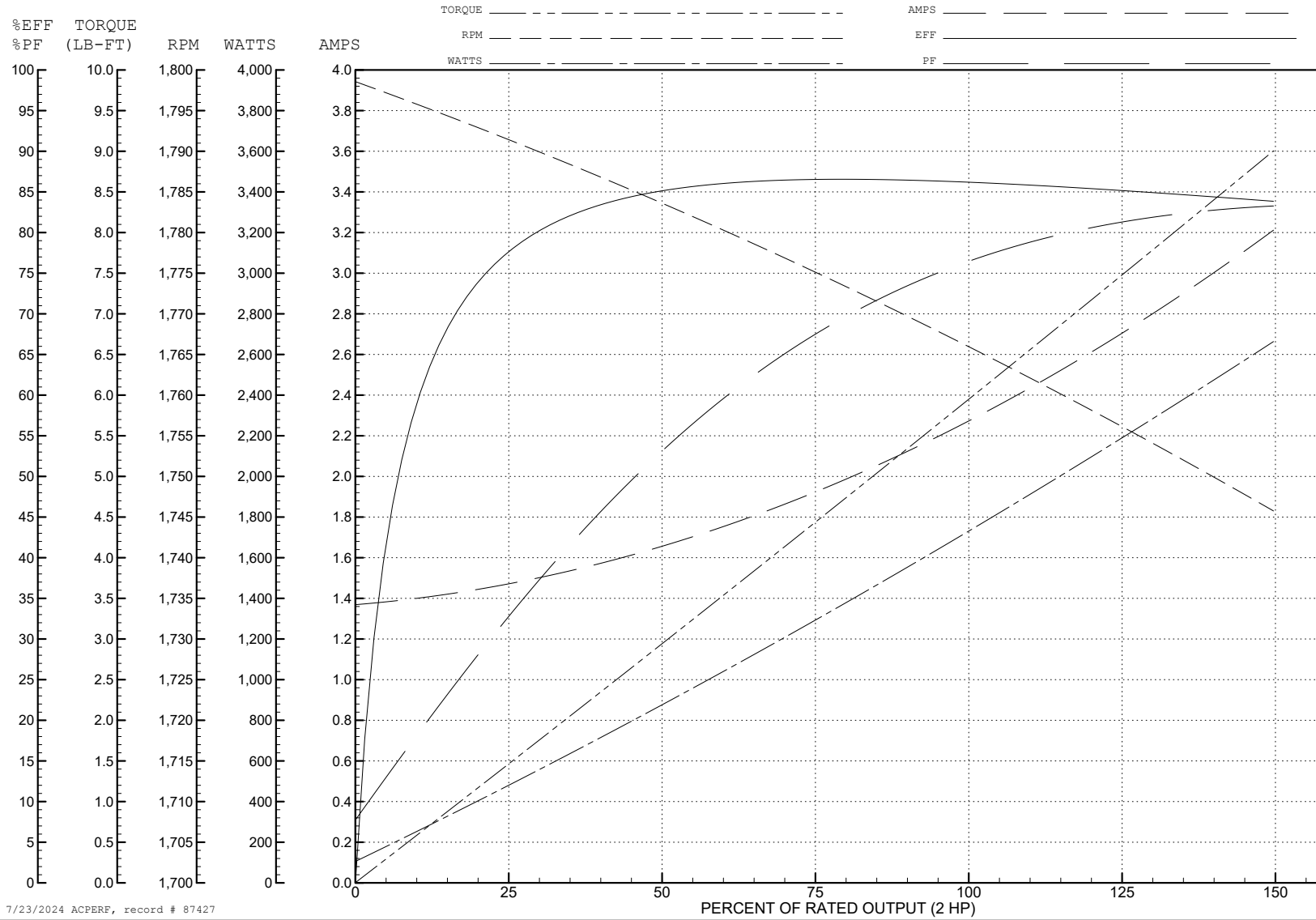
ABB Motors and Mechanical Inc.

WINDING # 35WGG113

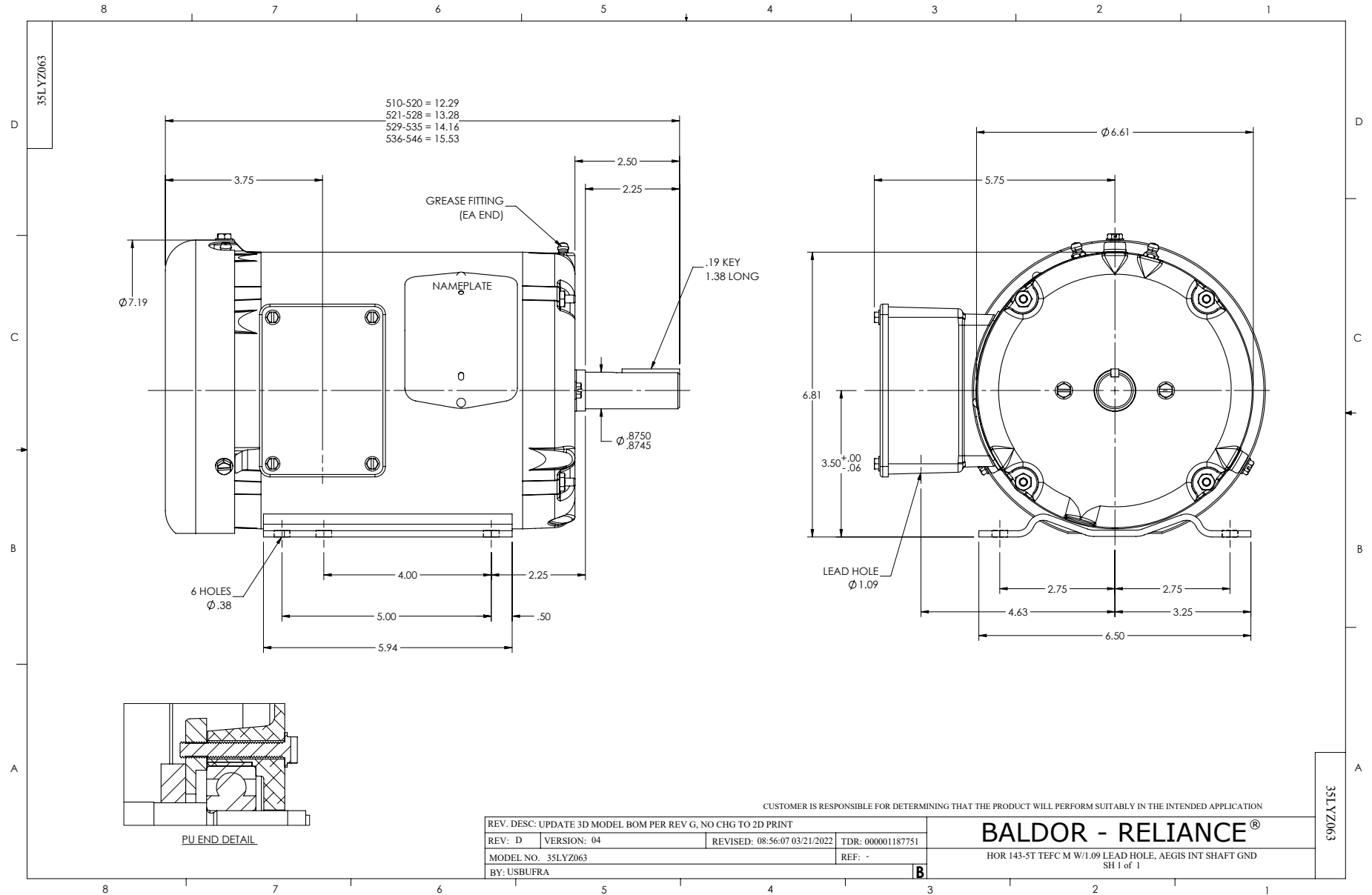
Typical performance - not guaranteed values.

2 HP 3 PH 60 HZ 1764 RPM 575 V 3528M

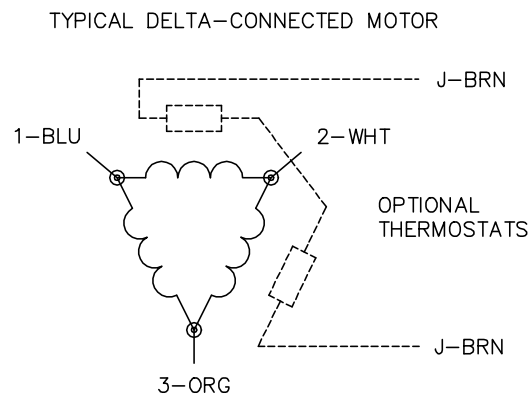
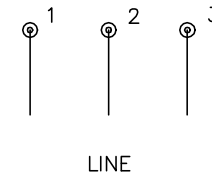
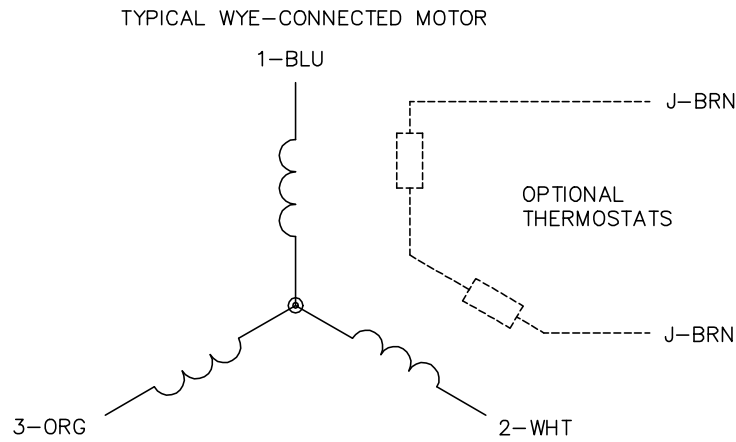
TORQUES (LB-FT): PO=23.7 PU=14.43 LR=17.45 LRA=19.89



7/23/2024 ACPERF, record # 87427



CD0006



NOTES:

1. THREE LEAD MOTOR MAY BE EITHER WYE CONNECTED OR DELTA CONNECTED.
2. INTERCHANGE ANY TWO LINE LEADS TO REVERSE ROTATION.
3. OPTIONAL THERMOSTATS ARE PROVIDED WHEN SPECIFIED.
4. ACTUAL NUMBER OF INTERNAL PARALLEL CIRCUITS MAY VARY.
5. LEAD COLORS ARE OPTIONAL. LEADS MUST BE NUMBERED AS SHOWN.

CD0006

REV. DESC: ADD CLASS CONN00000007		
REV. LTR: E	VERSION: 01	TDR: 000001099922
FILE: \AAA\00005\141	REVISED: 10:24:49 02/19/2019	BY: ENBRIRO
MTL: -	© □	

**BALDOR - RELIANCE®**

3PH, SV, 3 LEADS, WYE OR DELTA CONNECTED

SH 1 of 1