



Customer information packet

EM3312T-8

10HP, 3475RPM, 3PH, 60HZ, 213T, 3728M, OPSB, F1

Class - None

Division - Not Applicable

Specifications

Enclosure	OPSB
Frame	213T
Frame Material	Steel
Frequency	60.00 Hz
Haz Area Class and Group	None
Haz Area Division	Not Applicable
Motor Letter Type	Three Phase
Output @ Frequency	10.000 HP @ 60 HZ
Phase	3
Synchronous Speed @ Frequency	3600 RPM @ 60 HZ
Voltage @ Frequency	200.0 V @ 60 HZ
Agency Approvals	CURUSEEV NEMA PREMIUM NEMA_PREMIUM UR CSA EEV
Ambient Temperature	40 °C
Auxillary Box	No Auxillary Box
Auxillary Box Lead Termination	None
Base Indicator	Rigid
Bearing Grease Type	Polyrex EM (-20F +300F)
Blower	None
Current @ Voltage	27.300 A @ 200.0 V
Design Code	B
Drip Cover	No Drip Cover
Duty Rating	CONT
Efficiency @ 100% Load	89.5 %
Electrically Isolated Bearing	Not Electrically Isolated
Feedback Device	NO FEEDBACK
Front Face Code	Standard
Front Shaft Indicator	None
Heater Indicator	No Heater

Part detail

Revision	J
Type	AC
Mech. spec.	37B101
Base	
Status	PRD/A
Elec. spec.	37WGR875
Layout	37LYB101
Eff. date	06-11-2024
CD Diagram	CD0006
Poles	02
Leads	3#10
Proprietary	False
Created date	08-05-2015

High Voltage Full Load Amps	27.3 a
Insulation Class	F
Inverter Code	Inverter Ready
KVA Code	G
Lifting Lugs	Standard Lifting Lugs
Locked Bearing Indicator	No Locked Bearing
Motor Lead Exit	Ko Box
Motor Lead Quantity/Wire Size	3 @ 10 AWG
Motor Lead Termination	Flying Leads
Motor Standards	NEMA
Motor Type	3728M
Mounting Arrangement	F1
Number of Poles	2
Overall Length	16.32 IN
Power Factor	87
Product Family	General Purpose
Pulley End Bearing Type	Ball
Pulley Face Code	Standard
Pulley Shaft Indicator	Standard
Rodent Screen	None
Service Factor	1.15
Shaft Diameter	1.375 IN
Shaft Extension Location	Pulley End
Shaft Ground Indicator	No Shaft Grounding
Shaft Rotation	Reversible
Shaft Slinger Indicator	No Slinger
Speed	3475 rpm
Speed Code	Single Speed
Starting Method	Direct on line
Thermal Device - Bearing	None
Thermal Device - Winding	None
Vibration Sensor Indicator	No Vibration Sensor
Winding Thermal 1	None
Winding Thermal 2	None

Nameplate

NP3553L									
CAT.NO.	EM3312T-8								
SPEC	37B101R875G1								
HP	10								
VOLTS	200								
AMPS	27.3								
RPM	3475								
FRAME	213T		HZ	60		PH	3		
SF	1.15	CODE	G	DES	B	CLASS	F		
NEMA NOM. EFF	89.5	PF	87						
RATING	40C AMB-CONT								
CC	010A								
ENCL	OPSB	SER							
DE	6307	ODE	6206						
VPWM INVERTER READY									
CT30-60(2:1) VT3-60(20:1)									

AC Induction Motor Performance Data

Record # 52222

Preliminary Data Sheet

Winding: 37WGR875-R001		Type: 3728M		Enclosure: OPSB	
Nameplate Data			200 V, 60 Hz: Single Voltage Motor		
Rated Output (HP)	10	Full Load Torque	15.03 LB-FT		
Volts	200	Start Configuration	direct on line		
Full Load Amps	27.3	Breakdown Torque	48.4 LB-FT		
R.P.M.	3475	Pull-up Torque	24.1 LB-FT		
Hz	60 Phase	3	Locked-rotor Torque	28.3 LB-FT	
NEMA Design Code	B KVA Code	G	Starting Current	172 A	
Service Factor (S.F.)	1.15	No-load Current	9.61 A		
NEMA Nom. Eff.	89.5 Power Factor	87	Line-line Res. @ 25°C	0.186 Ω	
Rating - Duty	40C AMB-CONT		Temp. Rise @ Rated Load	29°C	
S.F. Amps			Temp. Rise @ S.F. Load	36°C	
			Locked-rotor Power Factor	34.8	
			Rotor inertia	0.255 LB-FT ²	

Load Characteristics 200 V, 60 Hz, 10 HP

% of Rated Load	25	50	75	100	125	150	S.F.
Power Factor	55	77	84	87	89	89	88
Efficiency	84.9	89.8	90.5	90.2	88.9	87.7	89.4
Speed	3577	3550	3522	3488	3452	3414	3466
Line amperes	11.5	15.6	21.2	27.3	33.8	41.4	31.2

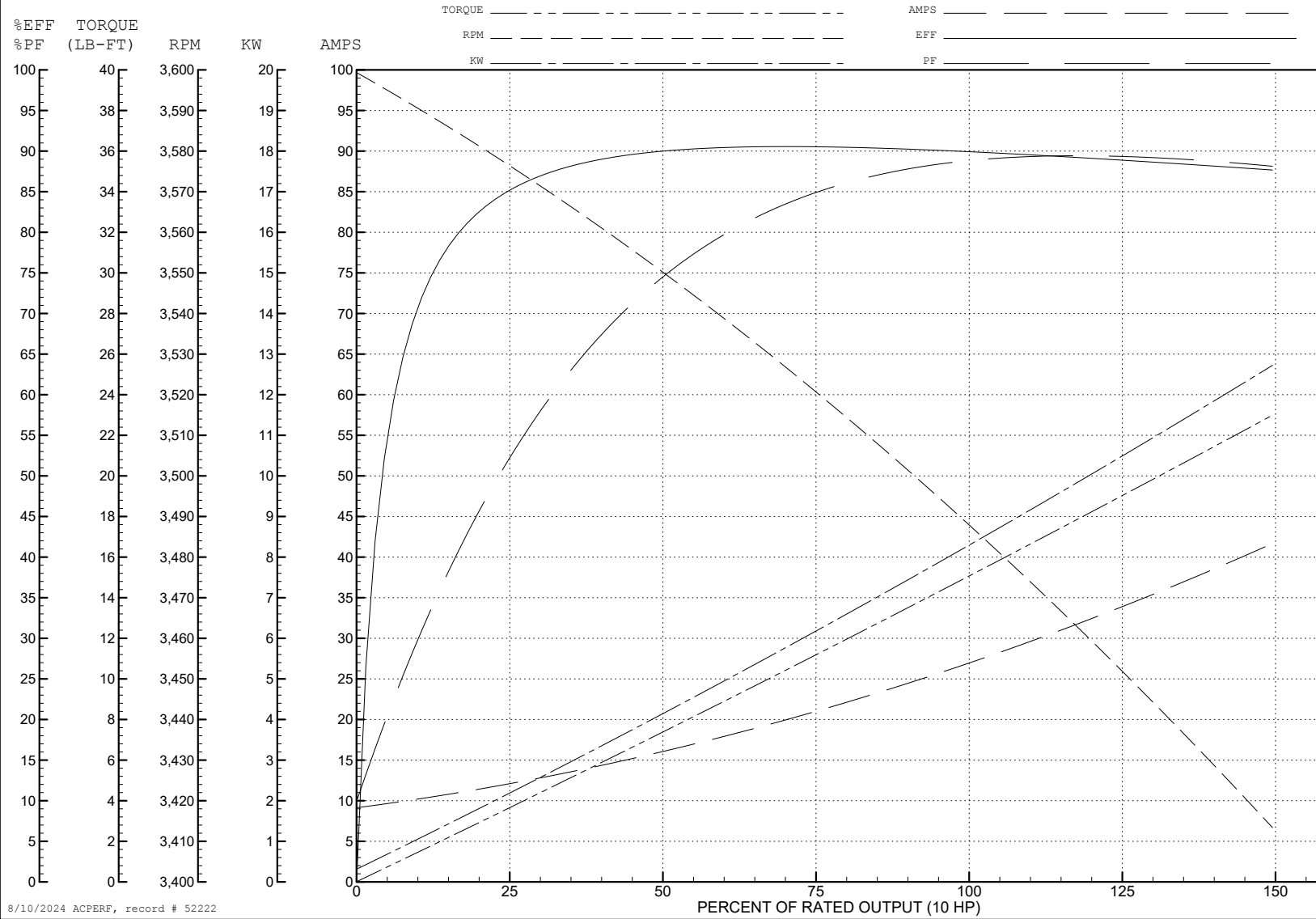
ABB Motors and Mechanical Inc.

WINDING # 37WGR875

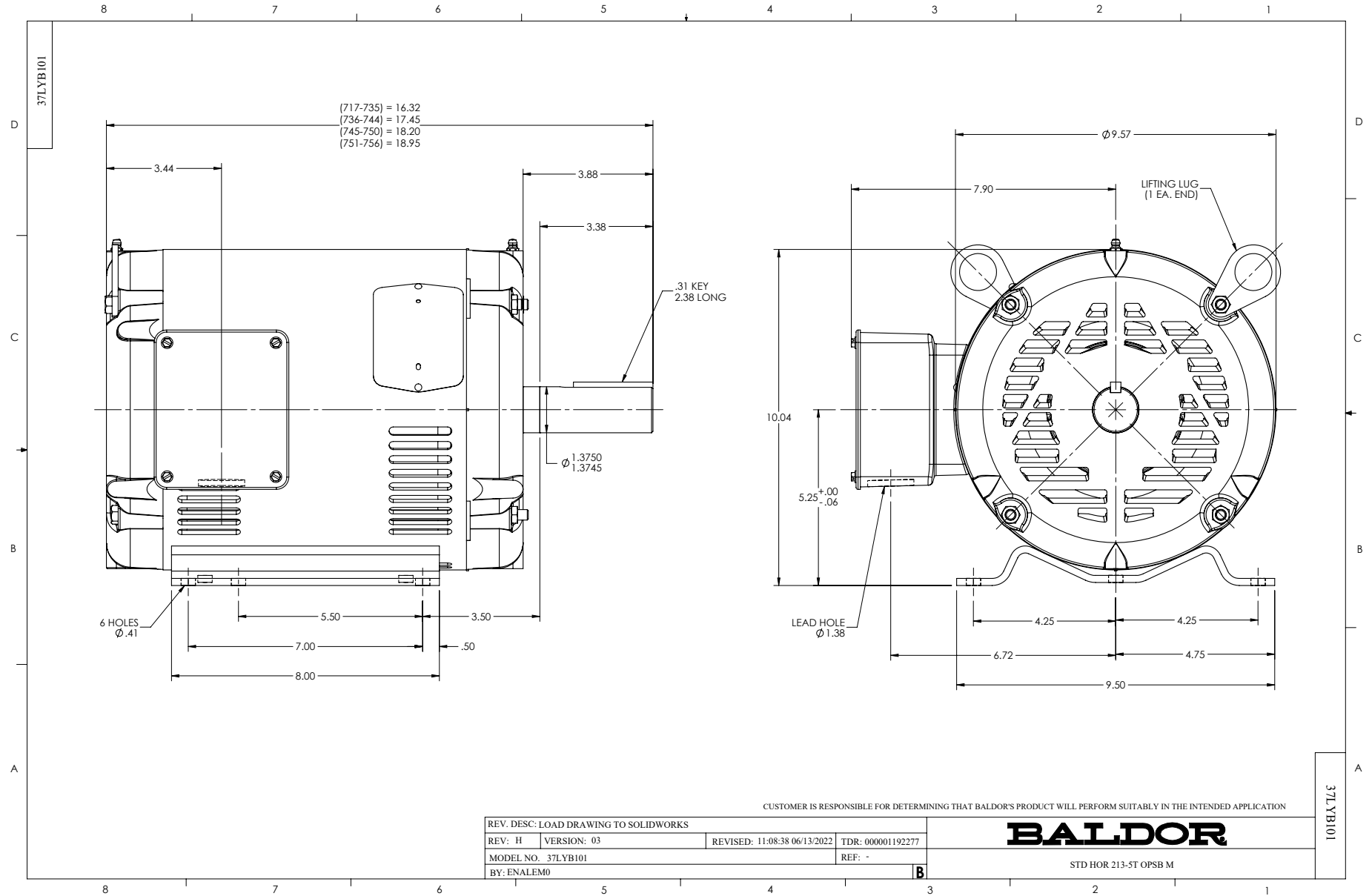
Typical performance - not guaranteed values.

10 HP 3 PH 60 HZ 3475 RPM 200 V 3728M

TORQUES (LB-FT): PO=48.4 PU=24.1 LR=28.3 LRA=172



8/10/2024 ACPERF, record # 52222



CD0006



NOTES:

1. THREE LEAD MOTOR MAY BE EITHER WYE CONNECTED OR DELTA CONNECTED.
2. INTERCHANGE ANY TWO LINE LEADS TO REVERSE ROTATION.
3. OPTIONAL THERMOSTATS ARE PROVIDED WHEN SPECIFIED.
4. ACTUAL NUMBER OF INTERNAL PARALLEL CIRCUITS MAY VARY.
5. LEAD COLORS ARE OPTIONAL. LEADS MUST BE NUMBERED AS SHOWN.

CD0006

REV. DESC: ADD CLASS CONN00000007		
REV. LTR: E	VERSION: 01	TDR: 000001099922
FILE: \AAA\00005\141	REVISED: 10:24:49 02/19/2019	BY: ENBRIRO
MTL: -	© □	

BALDOR - RELIANCE®

3PH, SV, 3 LEADS, WYE OR DELTA CONNECTED

SH 1 of 1