



Customer information packet

EM3311T-8G

7.5HP, 1770RPM, 3PH, 60HZ, 213T, 3734M, OPSB, F

Class - None

Division - Not Applicable

Specifications

| | |
|--------------------------------|---------------------------|
| Enclosure | OPSB |
| Frame | 213T |
| Frame Material | Steel |
| Frequency | 60.00 Hz |
| Haz Area Class and Group | None |
| Haz Area Division | Not Applicable |
| Motor Letter Type | Three Phase |
| Output @ Frequency | 7.500 HP @ 60 HZ |
| Phase | 3 |
| Synchronous Speed @ Frequency | 1800 RPM @ 60 HZ |
| Voltage @ Frequency | 200.0 V @ 60 HZ |
| Agency Approvals | CSA EEV CSA UR |
| Ambient Temperature | 40 °C |
| Auxillary Box | No Auxillary Box |
| Auxillary Box Lead Termination | None |
| Base Indicator | Rigid |
| Bearing Grease Type | Polyrex EM (-20F +300F) |
| Blower | None |
| Current @ Voltage | 23.300 A @ 200.0 V |
| Design Code | A |
| Drip Cover | No Drip Cover |
| Duty Rating | CONT |
| Efficiency @ 100% Load | 91.0 % |
| Electrically Isolated Bearing | Not Electrically Isolated |
| Feedback Device | NO FEEDBACK |
| Front Face Code | Standard |
| Front Shaft Indicator | None |
| Heater Indicator | No Heater |
| High Voltage Full Load Amps | 23.3 a |
| Insulation Class | H |

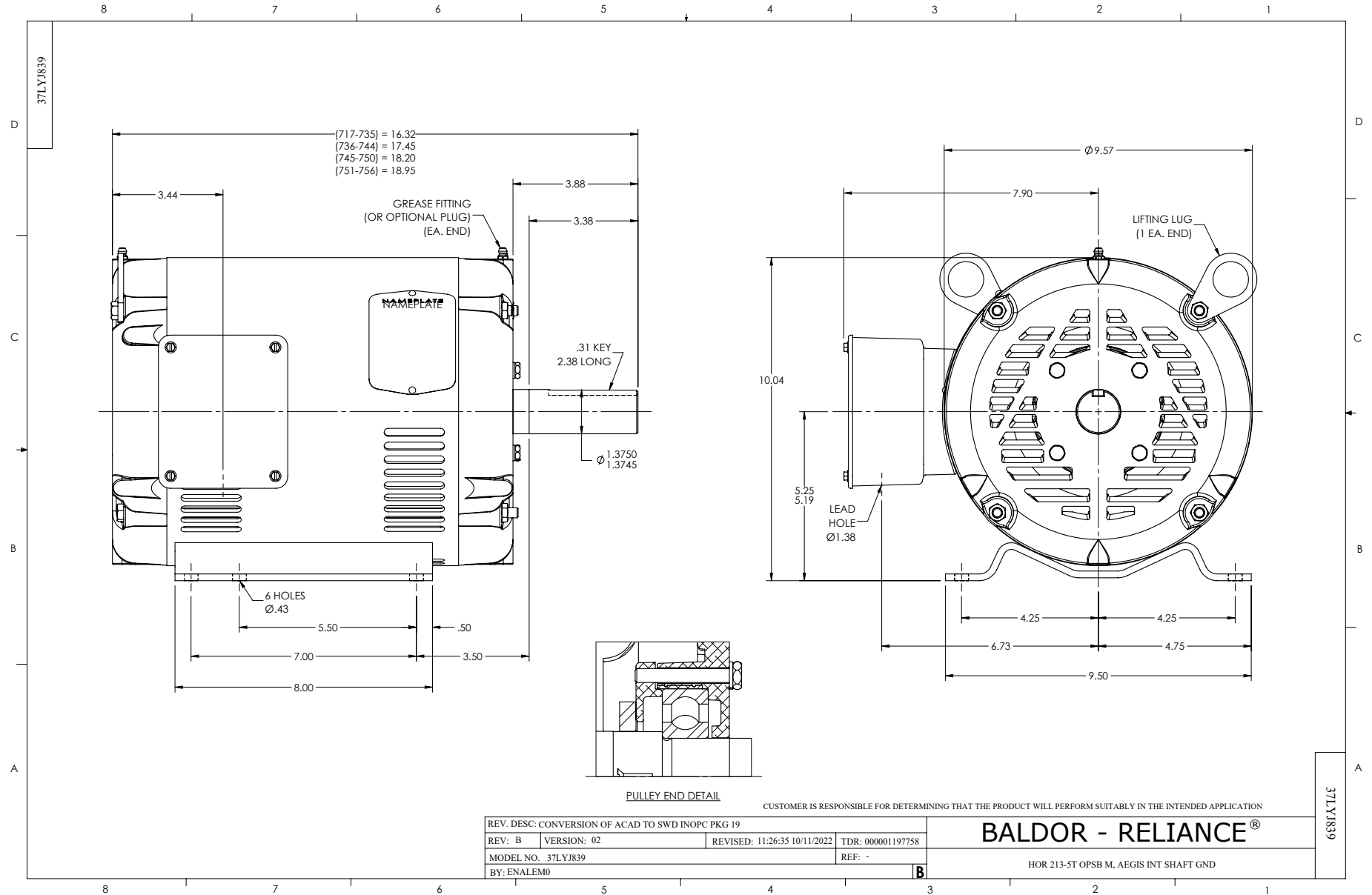
Part detail

| | |
|--------------|------------|
| Revision | P |
| Type | AC |
| Mech. spec. | 37J839 |
| Base | |
| Status | PRD/A |
| Elec. spec. | 37WGZ613 |
| Layout | 37LYJ839 |
| Eff. date | 06-11-2024 |
| CD Diagram | CD0006 |
| Poles | 04 |
| Leads | 3#12 |
| Proprietary | False |
| Created date | 03-14-2016 |

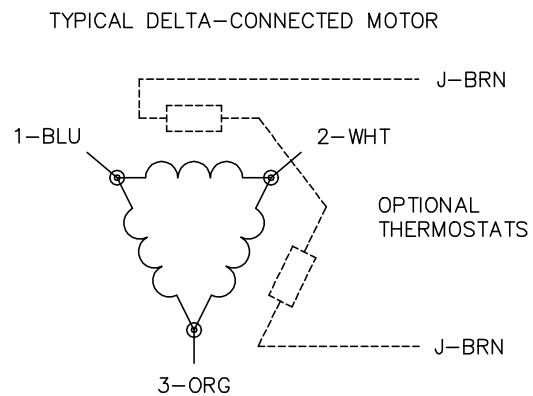
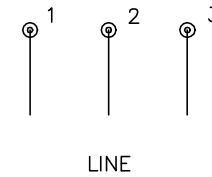
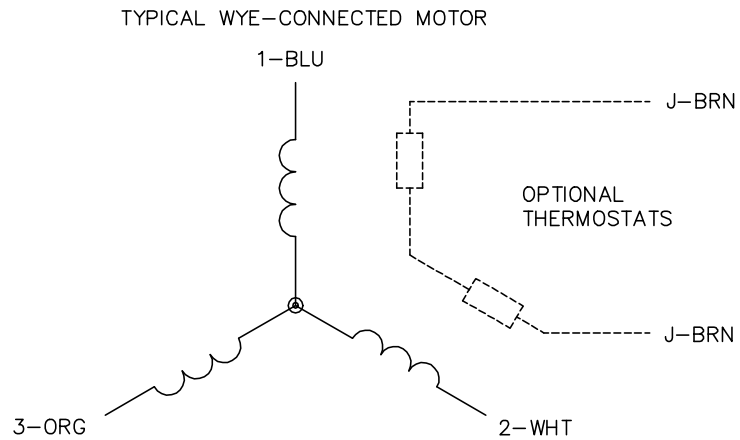
| | |
|--------------------------------------|-----------------------|
| Inverter Code | Inverter Ready |
| KVA Code | J |
| Lifting Lugs | Standard Lifting Lugs |
| Locked Bearing Indicator | Locked Bearing |
| Motor Lead Exit | Ko Box |
| Motor Lead Quantity/Wire Size | 3 @ 12 AWG |
| Motor Lead Termination | Flying Leads |
| Motor Standards | NEMA |
| Motor Type | 3734M |
| Mounting Arrangement | F1 |
| Number of Poles | 4 |
| Overall Length | 16.32 IN |
| Power Factor | 77 |
| Product Family | General Purpose |
| Pulley End Bearing Type | Ball |
| Pulley Face Code | Standard |
| Pulley Shaft Indicator | Standard |
| Rodent Screen | None |
| RoHS Status | ROHS COMPLIANT |
| Service Factor | 1.15 |
| Shaft Diameter | 1.375 IN |
| Shaft Extension Location | Pulley End |
| Shaft Ground Indicator | Shaft Grounding |
| Shaft Rotation | Reversible |
| Shaft Slinger Indicator | No Slinger |
| Speed | 1770 rpm |
| Speed Code | Single Speed |
| Starting Method | Direct on line |
| Thermal Device - Bearing | None |
| Thermal Device - Winding | None |
| Vibration Sensor Indicator | No Vibration Sensor |
| Winding Thermal 1 | None |
| Winding Thermal 2 | None |

Nameplate

| NP3553L | | | | | | | | | |
|----------------------------------|--------------|-------------|-----------|------------|---|--------------|---|--|--|
| CAT.NO. | EM3311T-8G | | | | | | | | |
| SPEC | 37J839Z613G1 | | | | | | | | |
| HP | 7.5 | | | | | | | | |
| VOLTS | 200 | | | | | | | | |
| AMPS | 23.3 | | | | | | | | |
| RPM | 1770 | | | | | | | | |
| FRAME | 213T | | HZ | 60 | | PH | 3 | | |
| SF | 1.15 | CODE | J | DES | A | CLASS | H | | |
| NEMA NOM. EFF | 91 | PF | 77 | | | | | | |
| RATING | 40C AMB-CONT | | | | | | | | |
| CC | 010A | | | | | | | | |
| ENCL | OPSB | SER | | | | | | | |
| DE | 6307 | ODE | 6206 | | | | | | |
| VPWM INVERTER READY | | | | | | | | | |
| CT30-60(2:1) VT3-60(20:1) | | | | | | | | | |



CD0006



NOTES:

1. THREE LEAD MOTOR MAY BE EITHER WYE CONNECTED OR DELTA CONNECTED.
2. INTERCHANGE ANY TWO LINE LEADS TO REVERSE ROTATION.
3. OPTIONAL THERMOSTATS ARE PROVIDED WHEN SPECIFIED.
4. ACTUAL NUMBER OF INTERNAL PARALLEL CIRCUITS MAY VARY.
5. LEAD COLORS ARE OPTIONAL. LEADS MUST BE NUMBERED AS SHOWN.

CD0006

| | | |
|-----------------------------------|------------------------------|-------------------|
| REV. DESC: ADD CLASS CONN00000007 | | |
| REV. LTR: E | VERSION: 01 | TDR: 000001099922 |
| FILE: \AAA\00005\141 | REVISED: 10:24:49 02/19/2019 | BY: ENBRIRO |
| MTL: - | © □ | |

BALDOR - RELIANCE®

3PH, SV, 3 LEADS, WYE OR DELTA CONNECTED

SH 1 of 1