

BALDOR • RELIANCE

Customer information packet

EM3311T-8

7.5HP, 1770RPM, 3PH, 60HZ, 213T, 3734M, OPSB, F

Class - None

Division - Not Applicable

Specifications

| | |
|--------------------------------|---|
| Enclosure | OPSB |
| Frame | 213T |
| Frame Material | Steel |
| Frequency | 60.00 Hz |
| Haz Area Class and Group | None |
| Haz Area Division | Not Applicable |
| Motor Letter Type | Three Phase |
| Output @ Frequency | 7.500 HP @ 60 HZ |
| Phase | 3 |
| Synchronous Speed @ Frequency | 1800 RPM @ 60 HZ |
| Voltage @ Frequency | 200.0 V @ 60 HZ |
| Agency Approvals | CURUSEEV NEMA PREMIUM NEMA_PREMIUM UR CSA EEV |
| Ambient Temperature | 40 °C |
| Auxillary Box | No Auxillary Box |
| Auxillary Box Lead Termination | None |
| Base Indicator | Rigid |
| Bearing Grease Type | Polyrex EM (-20F +300F) |
| Blower | None |
| Current @ Voltage | 23.300 A @ 200.0 V |
| Design Code | A |
| Drip Cover | No Drip Cover |
| Duty Rating | CONT |
| Efficiency @ 100% Load | 91.0 % |
| Electrically Isolated Bearing | Not Electrically Isolated |
| Feedback Device | NO FEEDBACK |
| Front Face Code | Standard |
| Front Shaft Indicator | None |
| Heater Indicator | No Heater |

Part detail

| | |
|--------------|------------|
| Revision | L |
| Type | AC |
| Mech. spec. | 37F614 |
| Base | |
| Status | PRD/A |
| Elec. spec. | 37WGZ613 |
| Layout | 37LYF614 |
| Eff. date | 06-11-2024 |
| CD Diagram | CD0006 |
| Poles | 04 |
| Leads | 3#12 |
| Proprietary | False |
| Created date | 03-14-2016 |

| | |
|-------------------------------|-----------------------|
| High Voltage Full Load Amps | 23.3 a |
| Insulation Class | F |
| Inverter Code | Inverter Ready |
| KVA Code | J |
| Lifting Lugs | Standard Lifting Lugs |
| Locked Bearing Indicator | No Locked Bearing |
| Motor Lead Exit | Ko Box |
| Motor Lead Quantity/Wire Size | 3 @ 12 AWG |
| Motor Lead Termination | Flying Leads |
| Motor Standards | NEMA |
| Motor Type | 3734M |
| Mounting Arrangement | F1 |
| Number of Poles | 4 |
| Overall Length | 16.32 IN |
| Power Factor | 77 |
| Product Family | General Purpose |
| Pulley End Bearing Type | Ball |
| Pulley Face Code | Standard |
| Pulley Shaft Indicator | Standard |
| Rodent Screen | None |
| Service Factor | 1.15 |
| Shaft Diameter | 1.375 IN |
| Shaft Extension Location | Pulley End |
| Shaft Ground Indicator | No Shaft Grounding |
| Shaft Rotation | Reversible |
| Shaft Slinger Indicator | No Slinger |
| Speed | 1770 rpm |
| Speed Code | Single Speed |
| Starting Method | Direct on line |
| Thermal Device - Bearing | None |
| Thermal Device - Winding | None |
| Vibration Sensor Indicator | No Vibration Sensor |
| Winding Thermal 1 | None |
| Winding Thermal 2 | None |

Nameplate

| NP3553L | | | | | | | | | |
|----------------------------------|--------------|-------------|-----------|------------|---|--------------|---|--|--|
| CAT.NO. | EM3311T-8 | | | | | | | | |
| SPEC | 37F614Z613G1 | | | | | | | | |
| HP | 7.5 | | | | | | | | |
| VOLTS | 200 | | | | | | | | |
| AMPS | 23.3 | | | | | | | | |
| RPM | 1770 | | | | | | | | |
| FRAME | 213T | | HZ | 60 | | PH | 3 | | |
| SF | 1.15 | CODE | J | DES | A | CLASS | F | | |
| NEMA NOM. EFF | 91 | PF | 77 | | | | | | |
| RATING | 40C AMB-CONT | | | | | | | | |
| CC | 010A | | | | | | | | |
| ENCL | OPSB | SER | | | | | | | |
| DE | 6307 | ODE | 6206 | | | | | | |
| VPWM INVERTER READY | | | | | | | | | |
| CT30-60(2:1) VT3-60(20:1) | | | | | | | | | |

Accessories

| Part number | Description | Multiplier |
|--------------------|--------------------|-------------------|
| 37-1404 | C FACE KIT | A8 |

AC Induction Motor Performance Data

Record # 57432

Typical performance - not guaranteed values

| Winding: 37WGZ613-R001 | | Type: 3734M | Enclosure: OPSB | | |
|------------------------|--------------|---------------------|---|--------------------------|------------|
| Nameplate Data | | | 200 V, 60 Hz: Single Voltage Motor | | |
| Rated Output (HP) | 7.5 | Full Load Torque | 22.2 LB-FT | | |
| Volts | 200 | Start Configuration | direct on line | | |
| Full Load Amps | 23.3 | Breakdown Torque | 72 LB-FT | | |
| R.P.M. | 1770 | Pull-up Torque | 34 LB-FT | | |
| Hz | 60 | Phase | 3 | Locked-rotor Torque | 42.9 LB-FT |
| NEMA Design Code | A | KVA Code | J | Starting Current | 168 A |
| Service Factor (S.F.) | 1.15 | No-load Current | 11.8 A | | |
| NEMA Nom. Eff. | 91 | Power Factor | 77 | Line-line Res. @ 25°C | 0.29 Ω |
| Rating - Duty | 40C AMB-CONT | | Temp. Rise @ Rated Load | 35°C | |
| S.F. Amps | | | Temp. Rise @ S.F. Load | 43°C | |
| | | | Locked-rotor Power Factor | 39.9 | |
| | | | Rotor inertia | 0.836 LB-FT ² | |

Load Characteristics 200 V, 60 Hz, 7.5 HP

| % of Rated Load | 25 | 50 | 75 | 100 | 125 | 150 | S.F. |
|-----------------|------|------|------|------|------|------|------|
| Power Factor | 38 | 59 | 71 | 77 | 81 | 82 | 79 |
| Efficiency | 84.6 | 90.2 | 91.1 | 91.1 | 90.5 | 89 | 90.7 |
| Speed | 1794 | 1788 | 1780 | 1774 | 1765 | 1755 | 1769 |
| Line amperes | 12.8 | 15.2 | 18.8 | 22.9 | 27.6 | 32.9 | 25.7 |

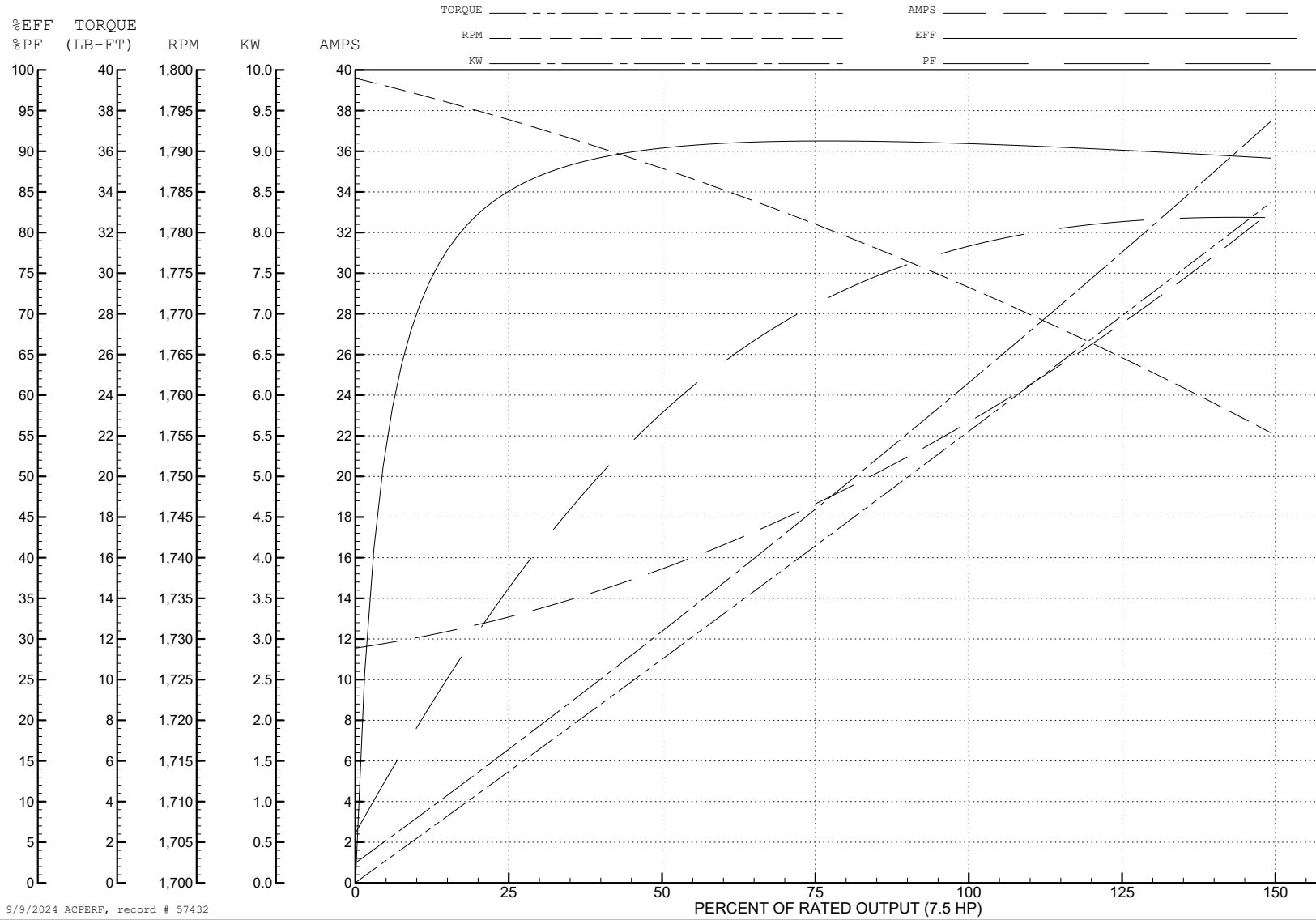
ABB Motors and Mechanical Inc.

WINDING # 37WGZ613

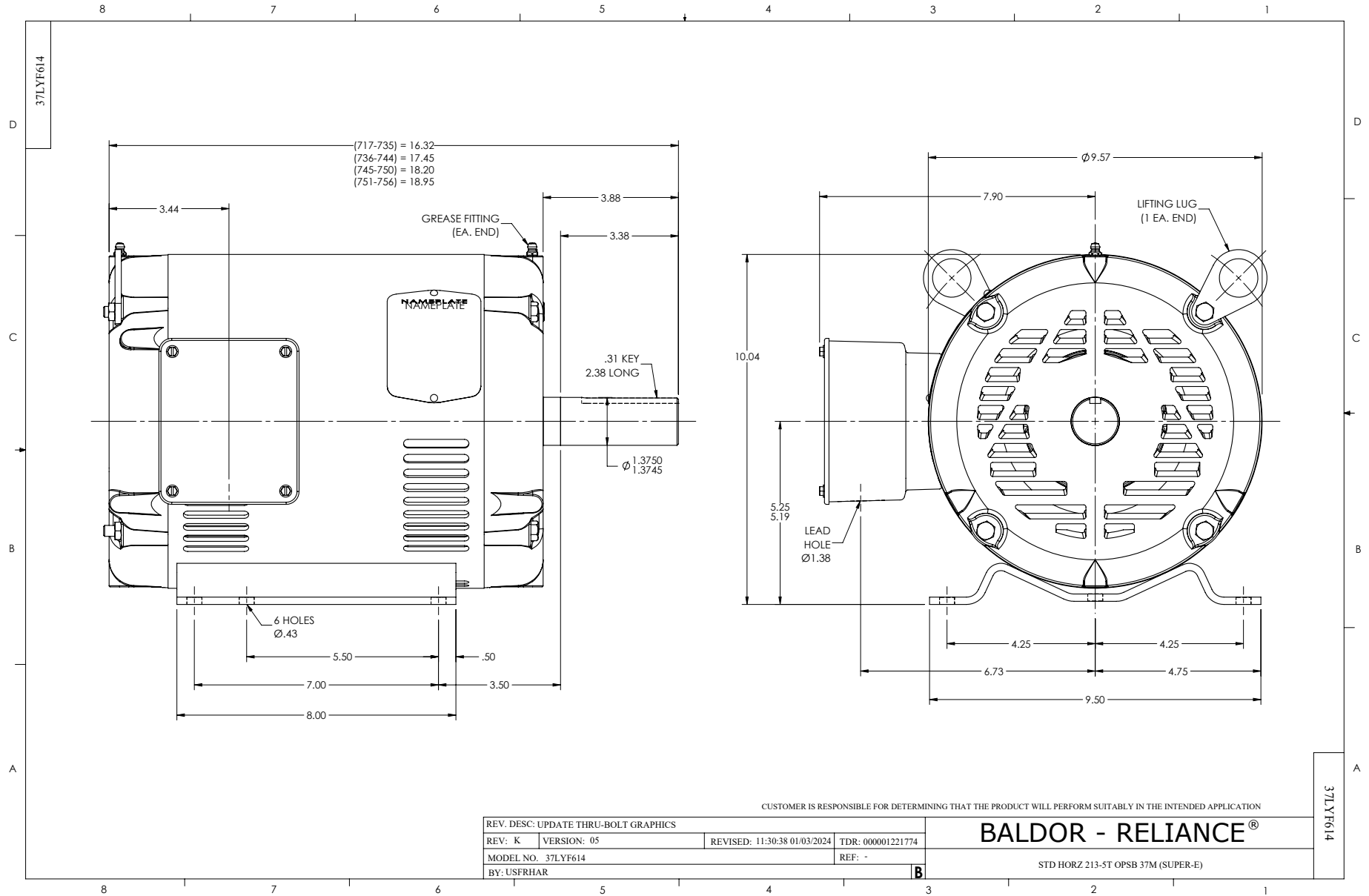
Typical performance - not guaranteed values.

7.5 HP 3 PH 60 HZ 1770 RPM 200 V 3734M

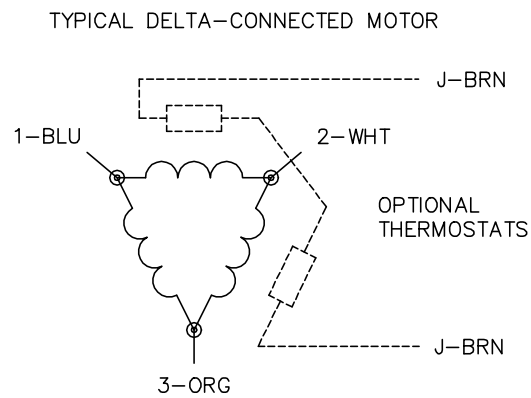
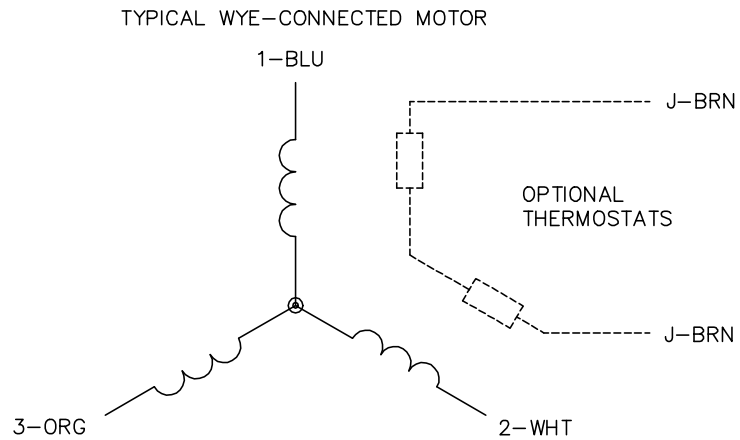
TORQUES (LB-FT): PO=72 PU=34 LR=42.9 LRA=168



9/9/2024 ACPERF, record # 57432



CD0006



NOTES:

1. THREE LEAD MOTOR MAY BE EITHER WYE CONNECTED OR DELTA CONNECTED.
2. INTERCHANGE ANY TWO LINE LEADS TO REVERSE ROTATION.
3. OPTIONAL THERMOSTATS ARE PROVIDED WHEN SPECIFIED.
4. ACTUAL NUMBER OF INTERNAL PARALLEL CIRCUITS MAY VARY.
5. LEAD COLORS ARE OPTIONAL. LEADS MUST BE NUMBERED AS SHOWN.

CD0006

| | | |
|-----------------------------------|------------------------------|-------------------|
| REV. DESC: ADD CLASS CONN00000007 | | |
| REV. LTR: E | VERSION: 01 | TDR: 000001099922 |
| FILE: \AAA\00005\141 | REVISED: 10:24:49 02/19/2019 | BY: ENBRIRO |
| MTL: - | © □ | |

BALDOR - RELIANCE®

3PH, SV, 3 LEADS, WYE OR DELTA CONNECTED

SH 1 of 1