



Customer information packet

EM31107

.5HP, 3450RPM, 3PH, 60HZ, 56, 3416M, ODP, F1, N

Class - None

Division - Not Applicable

Specifications

Enclosure	ODP
Frame	56
Frame Material	Steel
Frequency	60.00 Hz
Motor Letter Type	Three Phase
Output @ Frequency	.500 HP @ 60 HZ
Phase	3
Synchronous Speed @ Frequency	3600 RPM @ 60 HZ
Voltage @ Frequency	230.0 V @ 60 HZ 460.0 V @ 60 HZ
XP Class and Group	None
XP Division	Not Applicable
Agency Approvals	UR CSA
Ambient Temperature	40 °C
Auxillary Box	No Auxillary Box
Auxillary Box Lead Termination	None
Base Indicator	Rigid
Bearing Grease Type	Polyrex EM (-20F +300F)
Blower	None
Current @ Voltage	.800 A @ 460.0 V 1.600 A @ 230.0 V 1.900 A @ 208.0 V
Design Code	B
Drip Cover	No Drip Cover
Duty Rating	CONT
Efficiency @ 100% Load	73.4 %
Electrically Isolated Bearing	Not Electrically Isolated
Feedback Device	NO FEEDBACK
Front Face Code	Standard
Front Shaft Indicator	None
Heater Indicator	No Heater

Part detail

Revision	E
Type	AC
Mech. spec.	34B061
Base	
Status	PRD/A
Elec. spec.	34WGS937
Layout	34LYB061
Eff. date	04-22-2021
CD Diagram	CD0005
Poles	02
Leads	9#18
Proprietary	False
Created date	02-26-2014

High Voltage Full Load Amps	0.8 a
Insulation Class	F
Inverter Code	Not Inverter
KVA Code	P
Lifting Lugs	No Lifting Lugs
Locked Bearing Indicator	No Locked Bearing
Motor Lead Exit	Ko Box
Motor Lead Quantity/Wire Size	9 @ 18 AWG
Motor Lead Termination	Flying Leads
Motor Standards	NEMA
Motor Type	3416M
Mounting Arrangement	F1
Number of Poles	2
Overall Length	10.25 IN
Power Factor	78
Product Family	General Purpose
Pulley End Bearing Type	Ball
Pulley Face Code	Standard
Pulley Shaft Indicator	Standard
Rodent Screen	None
RoHS Status	ROHS COMPLIANT
Service Factor	1.25
Shaft Diameter	0.625 IN
Shaft Extension Location	Pulley End
Shaft Ground Indicator	No Shaft Grounding
Shaft Rotation	Reversible
Shaft Slinger Indicator	No Slinger
Speed	3450 rpm
Speed Code	Single Speed
Starting Method	Direct on line
Thermal Device - Bearing	None
Thermal Device - Winding	None
Vibration Sensor Indicator	No Vibration Sensor
Winding Thermal 1	None

Winding Thermal 2

None

Nameplate

NP3155L									
CAT.NO.	EM31107								
SPEC.	34B061S937G1								
HP	.5								
VOLTS	230/460								
AMP	1.6/.8								
RPM	3450								
FRAME	56		HZ	60		PH	3		
SER.F.	1.25	CODE	P	DES	B	CL	F		
F.L. AVG. EFF.	73.4	PF	78						
RATING	40C AMB-CONT								
CC			USABLE AT 208V				1.9		
DE	6203	ODE	6203						
ENCL	ODP	SN							
	SFA 1.8/.9								

AC Induction Motor Performance Data

Record # 44903

Typical performance - not guaranteed values

Winding: 34WGS937-R001		Type: 3416M	Enclosure: OPEN		
Nameplate Data			460 V, 60 Hz: High Voltage Connection		
Rated Output (HP)	.5	Full Load Torque	0.767 LB-FT		
Volts	230/460	Start Configuration	direct on line		
Full Load Amps	1.6/.8	Breakdown Torque	4.81 LB-FT		
R.P.M.	3450	Pull-up Torque	3.29 LB-FT		
Hz	60 Phase	3	Locked-rotor Torque	4.44 LB-FT	
NEMA Design Code	B	KVA Code	N	Starting Current	7.88 A
Service Factor (S.F.)	1.25	No-load Current	0.48 A		
NEMA Nom. Eff.	73.4	Power Factor	75	Line-line Res. @ 25°C	22.08 Ω
Rating - Duty	40C	AMB-CONT	Temp. Rise @ Rated Load	15°C	
S.F. Amps	1.8/.9	Temp. Rise @ S.F. Load	17°C		
		Locked-rotor Power Factor	66		
		Rotor inertia	0.0148 LB-FT ²		

Load Characteristics 460 V, 60 Hz, 0.5 HP

% of Rated Load	25	50	75	100	125	150	S.F.
Power Factor	45	61	72	78	83	86	83
Efficiency	54	67.8	73.9	76.9	78.3	78.8	78.3
Speed	3560	3537.1	3511.5	3484.8	3456.5	3427.6	3456
Line amperes	0.524	0.591	0.676	0.79	0.911	1.05	0.911

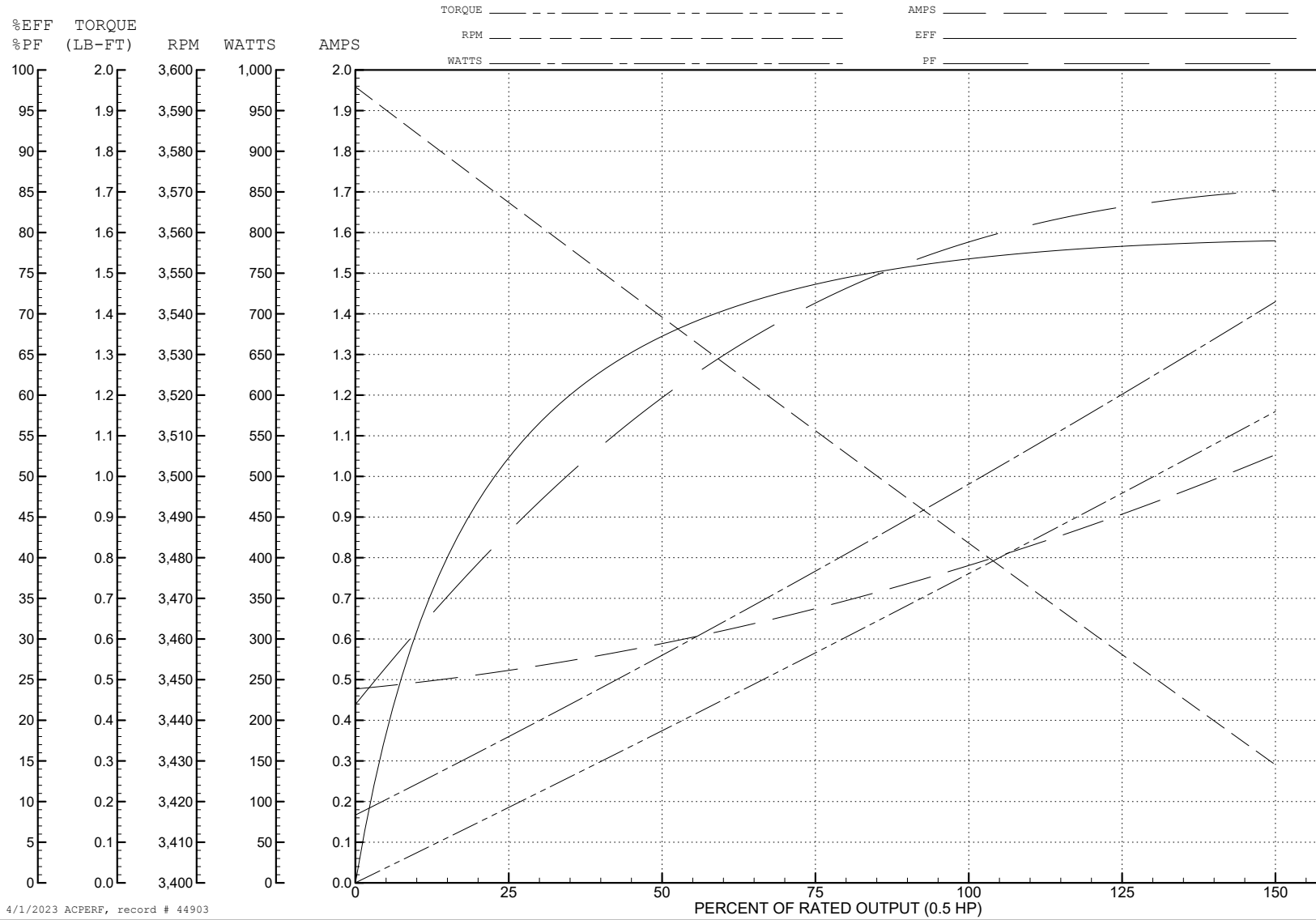
ABB Motors and Mechanical Inc.

WINDING # 34WGS937

Typical performance - not guaranteed values.

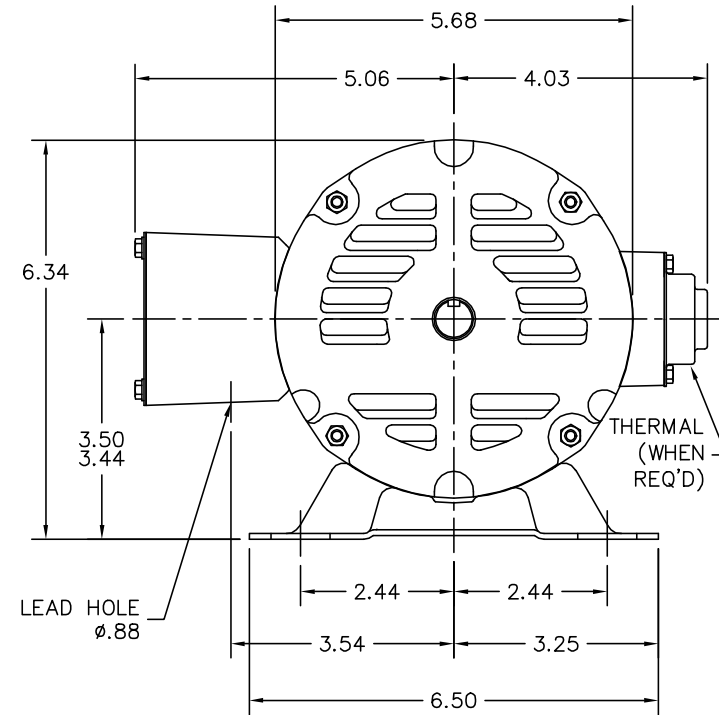
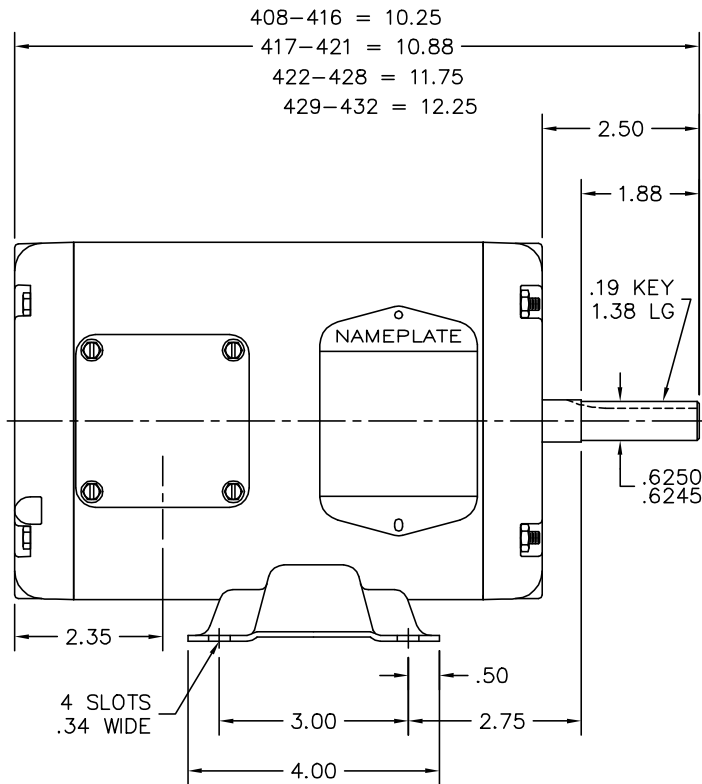
0.5 HP 3 PH 60 HZ 3450 RPM 460 V 3416M

TORQUES (LB-FT): PO=4.81 PU=3.29 LR=4.44 LRA=7.88



4/1/2023 ACPERF, record # 44903

34LYB061



CUSTOMER IS RESPONSIBLE FOR DETERMINING THAT BALDOR'S PRODUCT WILL PERFORM SUITABLY IN THE INTENDED APPLICATION.

REV. DESC: REV TO FREEZE SECTION VIEW OF KOBX IN RIGHT VIEW		
REV. LTR: D	VERSION: 02	TDR: 00000939068
FILE: \AAA\00034\110	REVISED: 10:09:16 08/14/2015	BY: ENBENBO
MTL: -	© □	

BALDOR

STD HORZ MODEL 34M NEMA 56 OPEN

SH 1 of 1

34LYB061

CD0005



LOW VOLTAGE
(2Y)



LINE

HIGH VOLTAGE
(1Y)



LINE

NOTES:

1. INTERCHANGE ANY TWO LINE LEADS TO REVERSE ROTATION.
2. OPTIONAL THERMOSTATS ARE PROVIDED WHEN SPECIFIED.
3. ACTUAL NUMBER OF INTERNAL PARALLEL CIRCUITS MAY BE A MULTIPLE OF THOSE SHOWN ABOVE.
4. LEAD COLORS ARE OPTIONAL. LEADS MUST ALWAYS BE NUMBERED AS SHOWN.

CD0005

REV. DESC: REVISE TO SHOW OPTIONAL COLORS			
REV. LTR: E	BY: JLP	REVISED: 01/19/99 10:15	TDR: 0171435
S00000		FILE: AAA00005140	MDL: -
		MTL: -	

BALDOR ELECTRIC Co.

3PH, DV, 9 LEADS