

ABB BALDOR RELIANCE III

Customer information packet

EM2563T-4

200HP, 1780RPM, 3PH, 60HZ, 445T, 1880M, OPEN

Class - None

Division - Not Applicable

Specifications

Enclosure	DP
Frame	445T
Frame Material	Iron
Frequency	60.00 Hz
Haz Area Class and Group	None
Haz Area Division	Not Applicable
Motor Letter Type	Three Phase
Output @ Frequency	200.000 HP @ 60 HZ
Phase	3
Synchronous Speed @ Frequency	1800 RPM @ 60 HZ
Voltage @ Frequency	460.0 V @ 60 HZ
Agency Approvals	CURUSEEV
Ambient Temperature	40 °C
Auxiliary Box	NO AUXILLARY BOX
Base Indicator	Rigid
Bearing Grease Type	Polyrex EM (-20F +300F)
Current @ Voltage	222.000 A @ 460.0 V
Design Code	B
Drip Cover	No Drip Cover
Duty Rating	CONT
Efficiency @ 100% Load	95.8 %
Feedback Device	NO FEEDBACK
Heater Indicator	No Heater
High Voltage Full Load Amps	222.0 a
Insulation Class	F
Inverter Code	Inverter Ready
KVA Code	F
Lifting Lugs	No Lifting Lugs
Motor Lead Quantity/Wire Size	6 @ 1 AWG
Motor Standards	NEMA
Motor Type	A44072M
Mounting Arrangement	F1

Part Detail

Revision	J
Type	AC
Mech. spec.	
Base	
Status	PRD/A
Elec. spec.	A44WG1483
Layout	616508-006
Eff. date	12-10-2025
CD Diagram	416820-008
Poles	04
Leads	6#1
Proprietary	False
Created date	10-19-2010

Number of Poles	4
Overall Length	39.56 IN
Power Factor	88
Pulley End Bearing Type	Ball
Pulley Face Code	Standard
Service Factor	1.15
Shaft Diameter	3.375 IN
Shaft Ground Indicator	No Shaft Grounding
Shaft Rotation	Reversible
Shaft Slinger Indicator	No Slinger
Speed	1785 rpm
Speed Code	Single Speed
Starting Method	Wye Start - Delta Run
Thermal Device - Bearing	None
Thermal Device - Winding	None

Nameplate

NP2377L

CAT.NO.	EM2563T-4	SPEC NO.	P44G1774						
HP	200	AMPS	222	VOLTS	460	DESIGN	B		
FRAME	445T	RPM	1785	HZ	60	AMB	40	SF	1.15
DRIVE END BEARING	90BC03J30X	PHASE	3	DUTY	CONT	INSUL.CLASS	F		
OPP D.E. BEARING	90BC03J30X	TYPE	P	ENCL	DP	CODE	F		
SER.NO.		POWER FACTOR	88	NEMA-NOM-EFFICIENCY	95.8				
		MAX CORR KVAR	35.0	GUARANTEED EFFICIENCY	95.4				
		NEMA NOM/CSA QUOTED EFF							
		MOTOR WEIGHT							

REL. S.O.	FRAME	HP	TYPE	PHASE/HERTZ	RPM	VOLTS
	445T	200	P	3/60	1785	460

AMPS	DUTY	AMB °C/ INSUL.	S.F.	NEMA DESIGN	CODE LETTER	ENCL.
222	CONT	40/F	1.15	B	F	DP

E/S	ROTOR	TEST S.O.	TEST DATE	STATOR RES. @25 °C OHMS (BETWEEN LINES)
599694	418143042TE	---	---	.0238

PERFORMANCE

LOAD	HP	AMPERES	RPM	% POWER FACTOR	% EFFICIENCY
NO LOAD	0	58.9	1800	4.10	0
1/4	50.1	79.2	1796	62.6	94.4
2/4	100	119	1792	81.8	96.2
3/4	150	168	1788	86.7	96.3
4/4	200	222	1784	87.8	96.0
5/4	250	279	1779	88.0	95.5

SPEED TORQUE

	RPM	TORQUE % FULL LOAD	TORQUE LB.-FT.	AMPERES
LOCKED ROTOR	0	142	837	1316
PULL UP	700	138	810	1270
BREAKDOWN	1725	243	1428	781
FULL LOAD	1784	100	588	222

AMPERES SHOWN FOR 460. VOLT CONNECTION. IF OTHER VOLTAGE CONNECTIONS ARE AVAILABLE, THE AMPERES WILL VARY INVERSELY WITH THE RATED VOLTAGE

REMARKS: TYPICAL DATA
 XE MOTOR-TYPICAL DATA-NEMA NOM. EFF. 95.8 PCT.
 GUARANTEED MIN. EFF. 95.4 PCT.



DR. BY J. J. HARRISON
 CK. BY W. L. SMITH
 APP. BY W. L. SMITH
 DATE 10/19/09

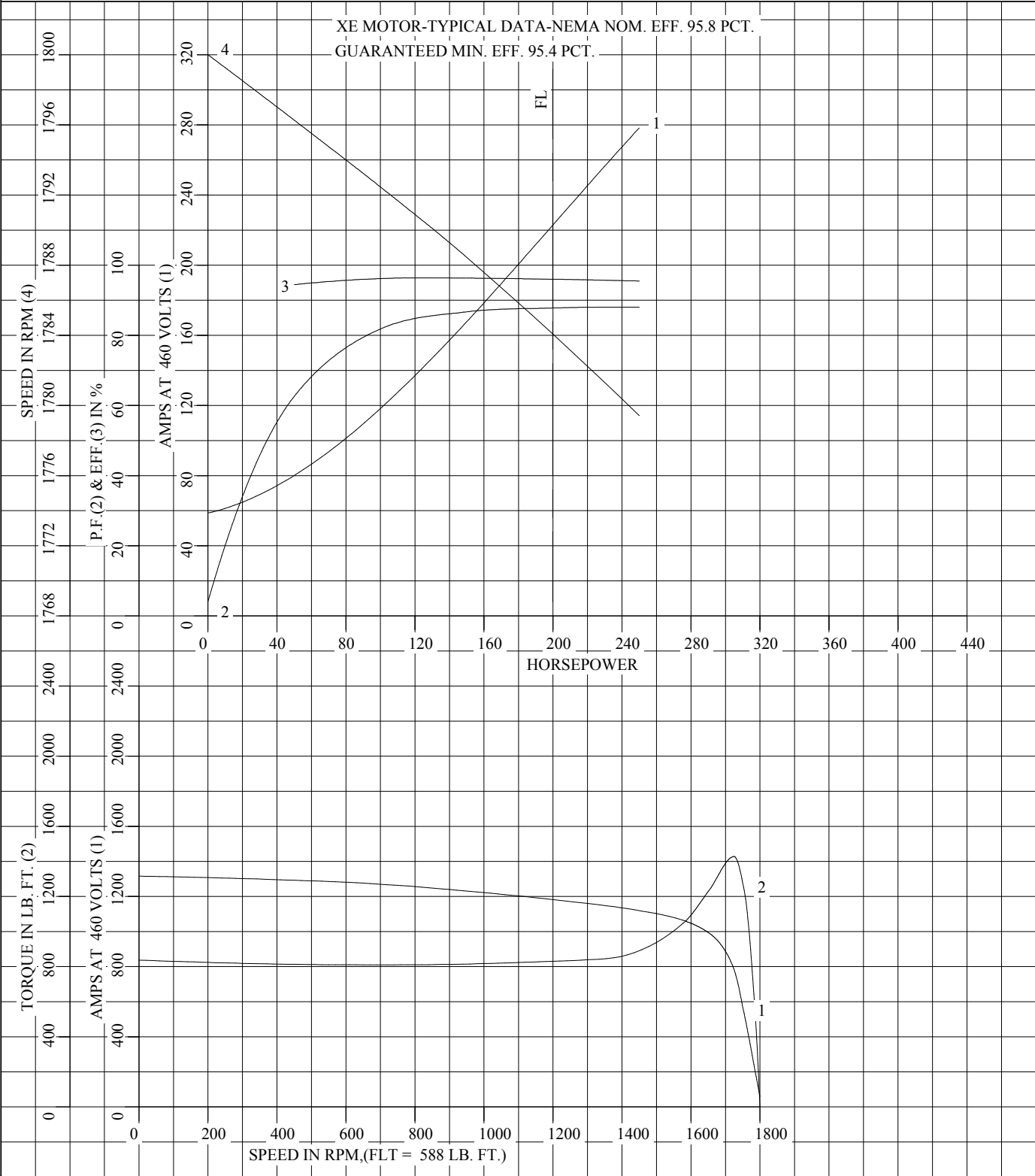
**A-C MOTOR
 PERFORMANCE A44WG1483-R001
 DATA** ISSUE DATE 12/18/10

FRAME 445T
HP 200
TYPE P
PHASE/HERTZ 3/60

RPM 1785
VOLTS 460
AMPS 222
DUTY CONT
AMB °C/INSUL 40/F

NEMA DESIGN B
CODE LETTER F
ENCLOSURE DP
E/S 599694

TEST S.O. TYPICAL DATA
TEST DATE ---
STATOR RES. @ 25 °C .0238
OHMS (BETWEEN LINES)



XE MOTOR-TYPICAL DATA-NEMA NOM. EFF. 95.8 PCT.
GUARANTEED MIN. EFF. 95.4 PCT.

AMPERES SHOWN FOR 460 VOLT CONNECTION, IF OTHER VOLTAGE CONNECTIONS ARE AVAILABLE, THE AMPERES WILL VARY INVERSELY WITH THE RATED VOLTAGE.



DR. BY J.J.HARRISON
CK. BY W.L.SMITH
APP. BY W.L.SMITH
DATE 10/19/09

**A-C MOTOR
PERFORMANCE CURVES** A44WG1483-R001
ISSUE DATE 12/18/10

REL. S.O.

RPM 1785

S.F. 1.15

ROTOR 418143042TE

FRAME 445T

VOLTS 460

NEMA DESIGN B

TEST S.O. TYPICAL DATA

HP 200

AMPS 222

CODE LETTER F

TEST DATE ---

TYPE P

DUTY CONT

ENCLOSURE DP

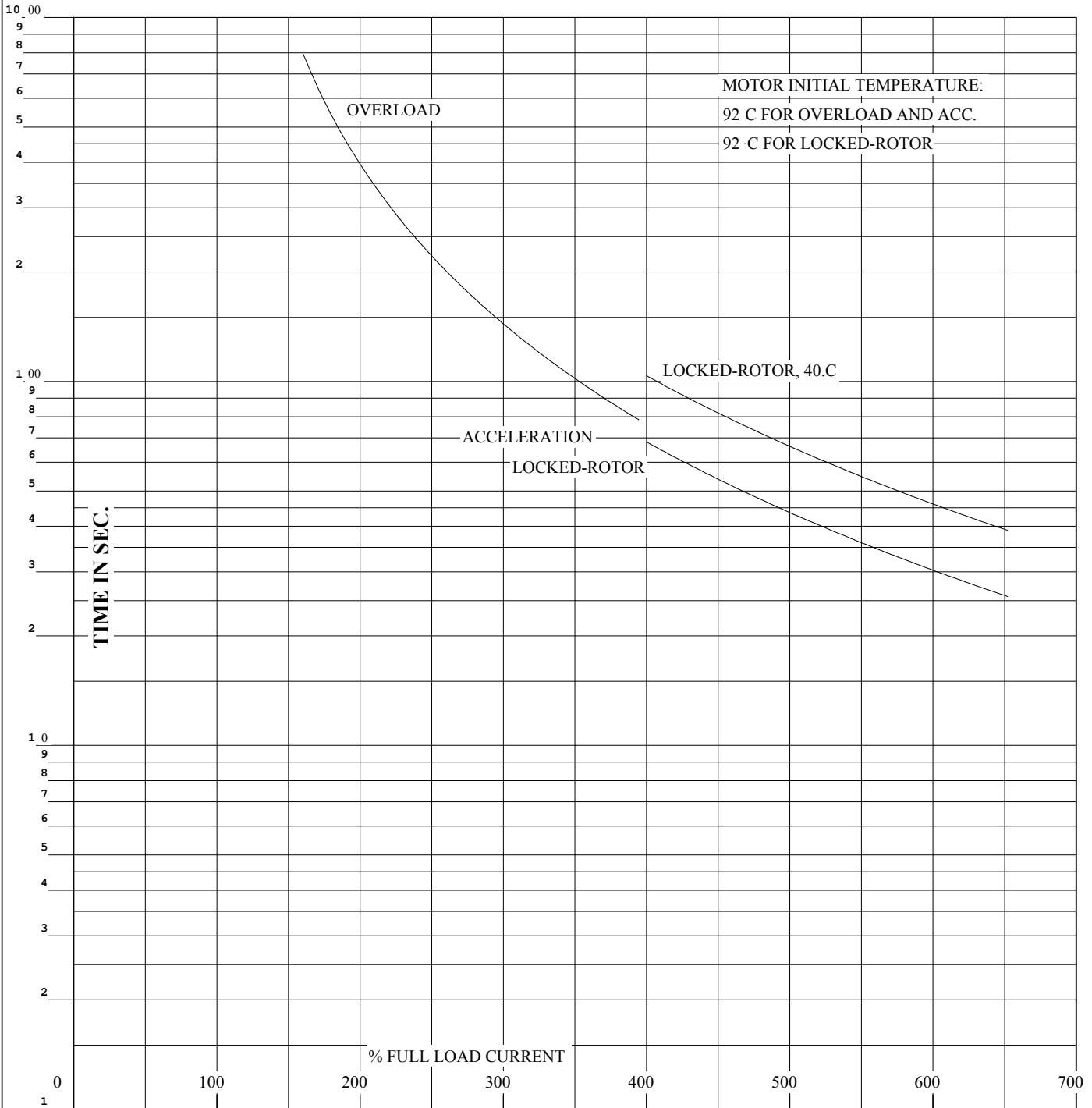
STATOR RES. @ 25 °C .0238

PHASE/HERTZ 3/60

AMB °C/INSUL 40/F

E/S 599694

OHMS (BETWEEN LINES)



THERMAL LIMIT CURVE

REMARKS: XE MOTOR-TYPICAL DATA-NEMA NOM. EFF. 95.8 PCT.
GUARANTEED MIN. EFF. 95.4 PCT.

AMPERES SHOWN FOR 460 VOLT CONNECTION, IF OTHER VOLTAGE CONNECTIONS ARE AVAILABLE, THE AMPERES WILL VARY INVERSELY WITH THE RATED VOLTAGE.



DR. BY J.J.HARRISON
CK. BY W. L. SMITH
APP. BY W. L. SMITH
DATE 10/19/09

**A-C MOTOR
PERFORMANCE CURVES** A44WG1483-R001
ISSUE DATE 12/18/10

616508-006

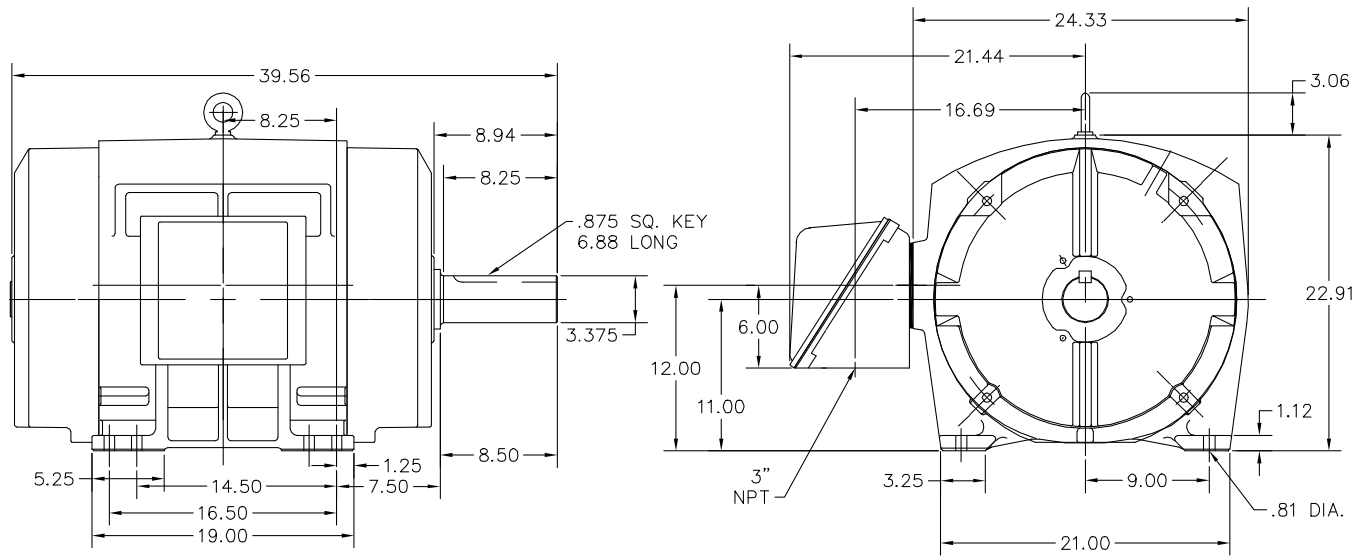
DUTY MASTER ALTERNATING CURRENT MOTORS

SQUIRREL-CAGE INDUCTION

ENCLOSURE: PROTECTED
MOUNTING: FOOT

COOLING: SELF-VENTILATED

FRAMES 444T THRU 445T



NOTES:
SCALE DWG. FOR COMPLETE DIMENSIONS
SEE DS 611750-501

FRAME- _____ TYPE- _____ CERTIFIED FOR- _____
ORDER- _____ ITEM- _____ HP- _____ RPM- _____
SALES ORDER- _____ APPROVED BY- _____ DATE- _____
CUSTOMER IS RESPONSIBLE FOR DETERMINING THAT BALDOR'S PRODUCT WILL PERFORM SUITABLY IN THE INTENDED APPLICATION.

REV. DESC: LOADED TO BUS		
REV. LTR: A	VERSION: 01	TDR: 00000557201
FILE: \RAG\00010\520	REVISED: 11: 22: 31 09/08/2010	BY: RAGRA
MTL: -		

BALDOR
DIM SHT 444T-445T ODP FT
SH 1 of 1

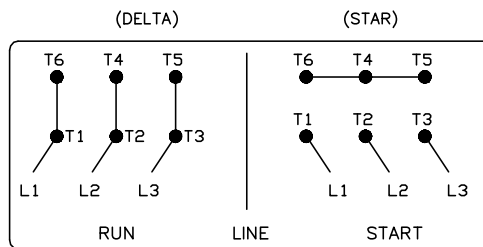
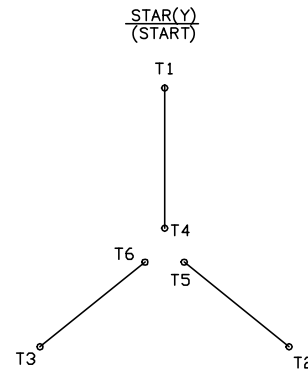
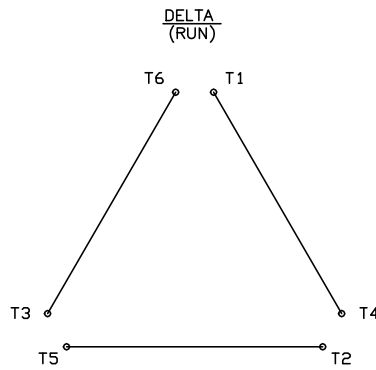
900-805016

416820-008

A-C MOTOR CONNECTION DIAGRAM

STANDARD 6 LEAD

Y START - DELTA RUN



< N. P. 1767-DC >

REV. DESC: ADDED T4 TO Y CONNECT DIAGRAM		
REV. LTR: D	VERSION: 04	TDR: 00000847713
FILE: \RAG\00001\808	REVISED: 10: 41: 26 04/08/2014	BY: RAGJSS1
MTL: -	© □	

BALDOR

CONNECT DIAGRAM STD 6 LEAD Y START DELTA RUN

SH 1 of 1

416820-008