

ABB BALDOR RELIANCE III

Customer information packet

EM2554T-4CI

125HP, 3565RPM, 3PH, 60HZ, 404TS, ODP, FOOT,

Class - None

Division - Not Applicable

Specifications

Enclosure	DP
Frame	404TS
Frame Material	Iron
Frequency	60.00 Hz
Haz Area Class and Group	None
Haz Area Division	Not Applicable
Motor Letter Type	Three Phase
Output @ Frequency	125.000 HP @ 60 HZ
Phase	3
Synchronous Speed @ Frequency	3600 RPM @ 60 HZ
Voltage @ Frequency	460.0 V @ 60 HZ
Agency Approvals	CCSA US CCSAUSEEV CSA EEV CURUSEEV
Ambient Temperature	40 °C
Auxiliary Box	NO AUXILLARY BOX
Base Indicator	Rigid
Bearing Grease Type	Polyrex EM (-20F +300F)
Current @ Voltage	143.000 A @ 460.0 V
Design Code	B
Drip Cover	No Drip Cover
Duty Rating	CONT
Efficiency @ 100% Load	95.0 %
Feedback Device	NO FEEDBACK
Heater Indicator	No Heater
High Voltage Full Load Amps	143.0 a
Insulation Class	F
Inverter Code	Inverter Ready
KVA Code	F
Lifting Lugs	No Lifting Lugs
Motor Lead Quantity/Wire Size	3 @ 2 AWG

Part Detail


Revision	K
Type	AC
Mech. spec.	
Base	
Status	PRD/A
Elec. spec.	A40WG0224
Layout	617428-120
Eff. date	09-04-2024
CD Diagram	416820-036
Poles	02
Leads	3#2
Proprietary	False
Created date	10-19-2010

Motor Standards	NEMA
Motor Type	A40048M
Mounting Arrangement	F1
Number of Poles	2
Power Factor	86
Pulley End Bearing Type	Ball
Pulley Face Code	C-Face
Service Factor	1.15
Shaft Diameter	2.125 IN
Shaft Ground Indicator	No Shaft Grounding
Shaft Rotation	Reversible
Shaft Slinger Indicator	No Slinger
Speed	3565 rpm
Speed Code	Single Speed
Starting Method	Direct on line
Thermal Device - Bearing	None
Thermal Device - Winding	None

Nameplate

NP2349L

SPEC NO.	P40G295	CAT.NO.	EM2554T-4CI	FRAME	404TS
HP	125	VOLTS	460	PHASE	3
RPM	3565	AMPS	143	DESIGN	B
DRIVE END BEARING	65BC03J30X	DUTY	CONT	TYPE	P
OPP D.E. BEARING	65BC03J30X	ENCL	DP	HZ	60
SER.NO.		CODE	F	AMB	40
		INSUL.CLASS	F	SF	1.15
		POWER FACTOR	86	NEMA-NOM-EFFICIENCY	95
				MAX CORR KVAR	25.0
				GUARANTEED EFFICIENCY	94.5
				NEMA NOM/CSA QUOTED EFF	
				MOTOR WEIGHT	

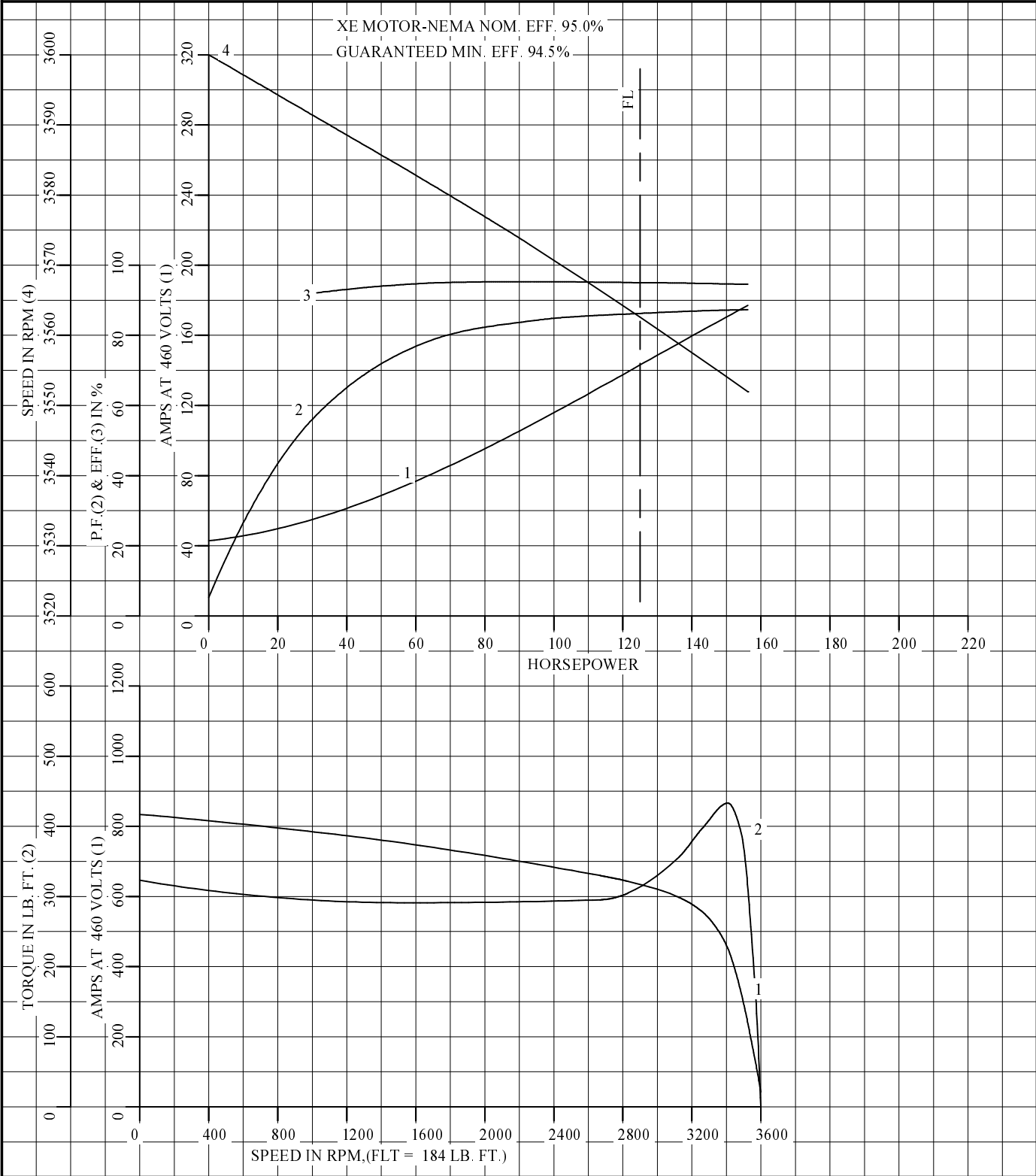
REL. S.O.	FRAME	HP	TYPE	PHASE/ HERTZ	RPM	VOLTS
	404TS	125	P	3/60	3565	460
AMPS	DUTY	AMB °C/ INSUL.	S.F.	NEMA DESIGN	CODE LETTER	ENCL.
143	CONT	40/B	1.15	B	F	PROT
E/S	ROTOR	TEST S.O.	TEST DATE	STATOR RES. @25 °C OHMS (BETWEEN LINES)		
595946	418142005RE	---	---	.0477		
PERFORMANCE						
LOAD	HP	AMPERES	RPM	% POWER FACTOR	% EFFICIENCY	
NO LOAD	0	43.0	3600	5.28	0	
1/4	31.3	55.4	3591	57.4	92.1	
2/4	62.5	79.2	3582	77.9	94.8	
3/4	93.7	109	3573	84.2	95.2	
4/4	125	143	3563	86.2	95.0	
5/4	156	177	3552	87.3	94.5	
SPEED TORQUE						
		RPM	TORQUE % FULL LOAD	TORQUE LB.-FT.	AMPERES	
LOCKED ROTOR		0	175	323	834	
PULL UP		1545	158	291	751	
BREAKDOWN		3409	235	433	451	
FULL LOAD		3563	100	184	143	
<p>AMPERES SHOWN FOR 460. VOLT CONNECTION. IF OTHER VOLTAGE CONNECTIONS ARE AVAILABLE, THE AMPERES WILL VARY INVERSELY WITH THE RATED VOLTAGE</p> <p>REMARKS: TYPICAL DATA XE MOTOR-NEMA NOM. EFF. 95.0% GUARANTEED MIN. EFF. 94.5%</p>						
			DR. BY <u>W. L. SMITH</u> CK. BY <u>G. R. WEBB</u> APP. BY <u>D. M. BYRD</u> DATE <u>03/05/02</u>		A-C MOTOR PERFORMANCE A40WG0224-R002 DATA	
			ISSUE DATE 12/15/10			

FRAME 404TS
HP 125
TYPE P
PHASE/HERTZ 3/60

RPM 3565
VOLTS 460
AMPS 143
DUTY CONT
AMB °C/INSUL 40/B

NEMA DESIGN B
CODE LETTER F
ENCLOSURE PROT
E/S 595946

TEST S.O. TYPICAL DATA
TEST DATE ---
STATOR RES. @ 25 °C .0477
OHMS (BETWEEN LINES)



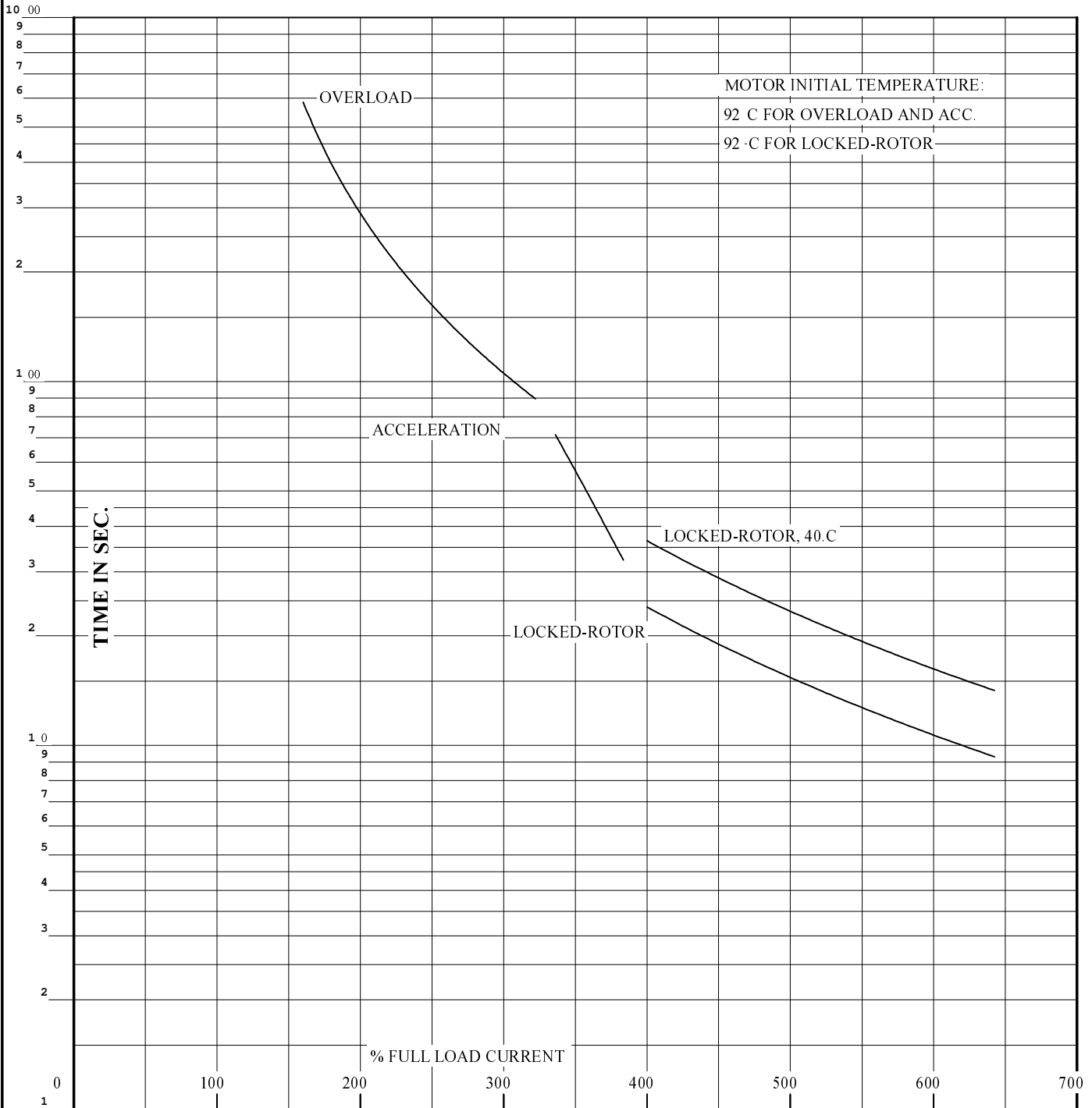
AMPERES SHOWN FOR 460 VOLT CONNECTION, IF OTHER VOLTAGE CONNECTIONS ARE AVAILABLE, THE AMPERES WILL VARY INVERSELY WITH THE RATED VOLTAGE.



DR. BY W. L. SMITH
CK. BY G. R. WEBB
APP. BY D. M. BYRD
DATE 03/05/02

**A-C MOTOR
PERFORMANCE CURVES** A40WG0224-R002
ISSUE DATE 12/15/10

REL. S.O.	RPM 3565	S.F. 1.15	ROTOR 418142005RE
FRAME 404TS	VOLTS 460	NEMA DESIGN B	TEST S.O. TYPICAL DATA
HP 125	AMPS 143	CODE LETTER F	TEST DATE ---
TYPE P	DUTY CONT	ENCLOSURE PROT	STATOR RES. @ 25 °C .0477
PHASE/HERTZ 3/60	AMB °C/INSUL 40/B	E/S 595946	OHMS (BETWEEN LINES)



THERMAL LIMIT CURVE

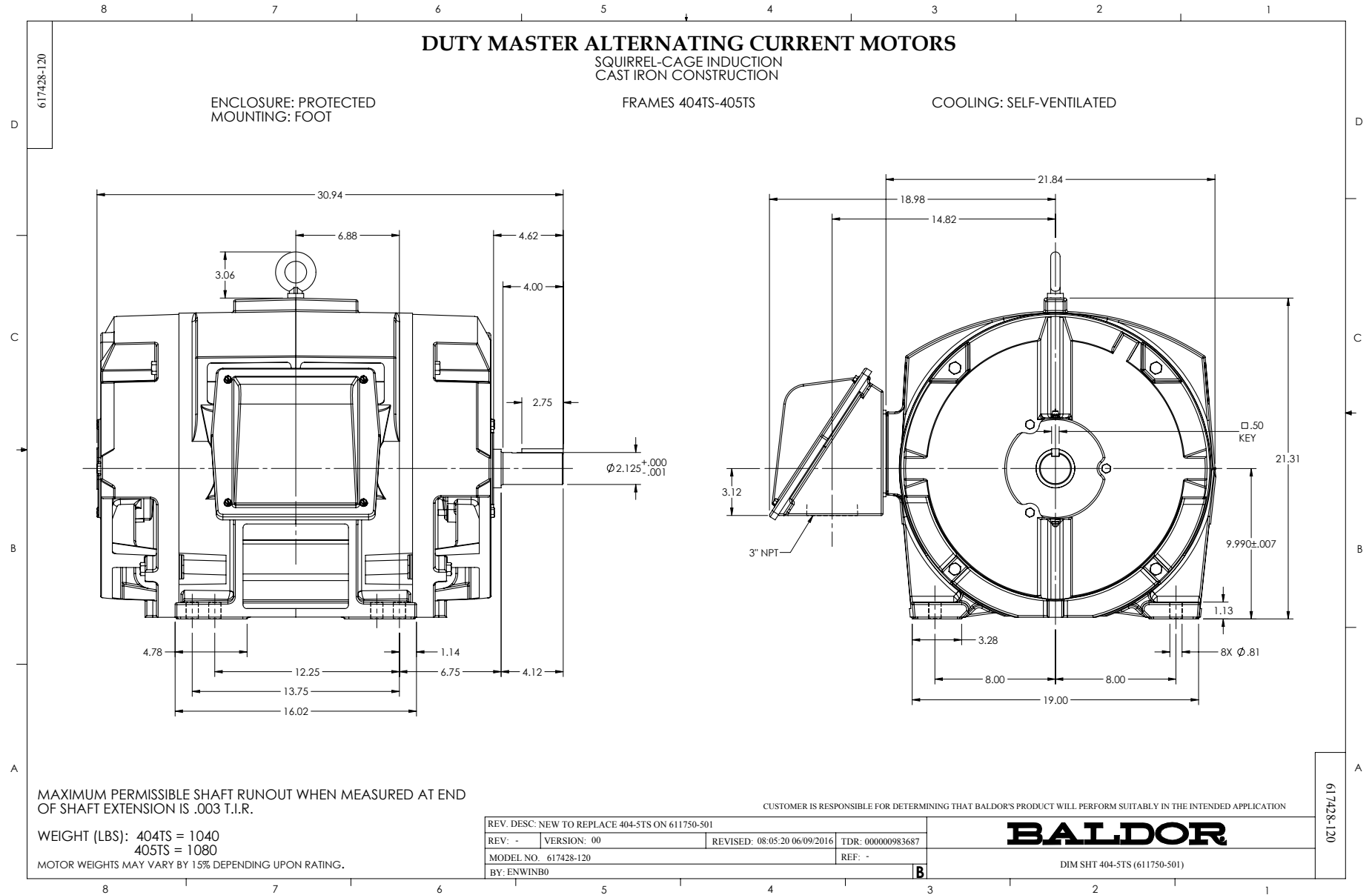
REMARKS: XE MOTOR-NEMA NOM. EFF. 95.0%
GUARANTEED MIN. EFF. 94.5%

AMPERES SHOWN FOR 460 VOLT CONNECTION, IF OTHER VOLTAGE CONNECTIONS ARE AVAILABLE, THE AMPERES WILL VARY INVERSELY WITH THE RATED VOLTAGE.



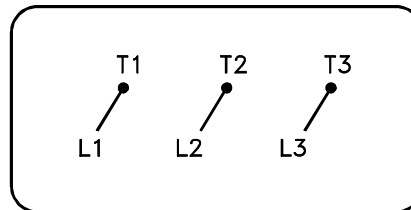
DR. BY	W. L. SMITH
CK. BY	G. R. WEBB
APP. BY	D. M. BYRD
DATE	03/05/02

**A-C MOTOR
PERFORMANCE A40WG0224-R002
CURVES** ISSUE DATE 12/15/10



416820-036

A-C MOTOR
CONNECTION DIAGRAM
STANDARD 3 LEAD CONNECTED



(N.P. 1575-BA)

416820-036

REV. DESC: LOADED TO BUS, C/R 335225		
REV. LTR: -	VERSION: 00	TDR: 000000538207
FILE: \MGA\00000\682	REVISED: 11: 54: 06 04/30/2010	
MTL: -	BY: RAGRA	

BALDOR
CONN DIAG - STANDARD 3 LEAD
SH 1 of 1