

# ABB BALDOR RELIANCE III

---

## Customer information packet

### EM2551T-CI

75HP, 1780RPM, 3PH, 60HZ, 365T, ODP, FOOT,

Class - None

Division - Not Applicable

**Specifications**

<b>Enclosure</b>	DP
<b>Frame</b>	365T
<b>Frame Material</b>	Iron
<b>Frequency</b>	60.00 Hz
<b>Haz Area Class and Group</b>	None
<b>Haz Area Division</b>	Not Applicable
<b>Motor Letter Type</b>	Three Phase
<b>Output @ Frequency</b>	75.000 HP @ 60 HZ
<b>Phase</b>	3
<b>Synchronous Speed @ Frequency</b>	1800 RPM @ 60 HZ
<b>Voltage @ Frequency</b>	230.0 V @ 60 HZ 460.0 V @ 60 HZ
<b>Agency Approvals</b>	CURUSEEV
<b>Ambient Temperature</b>	40 °C
<b>Auxiliary Box</b>	NO AUXILLARY BOX
<b>Base Indicator</b>	Rigid
<b>Bearing Grease Type</b>	Polyrex EM (-20F +300F)
<b>Current @ Voltage</b>	177.000 A @ 230.0 V 88.500 A @ 460.0 V
<b>Design Code</b>	B
<b>Drip Cover</b>	No Drip Cover
<b>Duty Rating</b>	CONT
<b>Efficiency @ 100% Load</b>	95.0 %
<b>Feedback Device</b>	NO FEEDBACK
<b>Heater Indicator</b>	No Heater
<b>High Voltage Full Load Amps</b>	88.5 a
<b>Insulation Class</b>	F
<b>Inverter Code</b>	Inverter Ready
<b>KVA Code</b>	G
<b>Lifting Lugs</b>	No Lifting Lugs
<b>Motor Lead Quantity/Wire Size</b>	3 @ 4 AWG
<b>Motor Standards</b>	NEMA

**Part Detail**

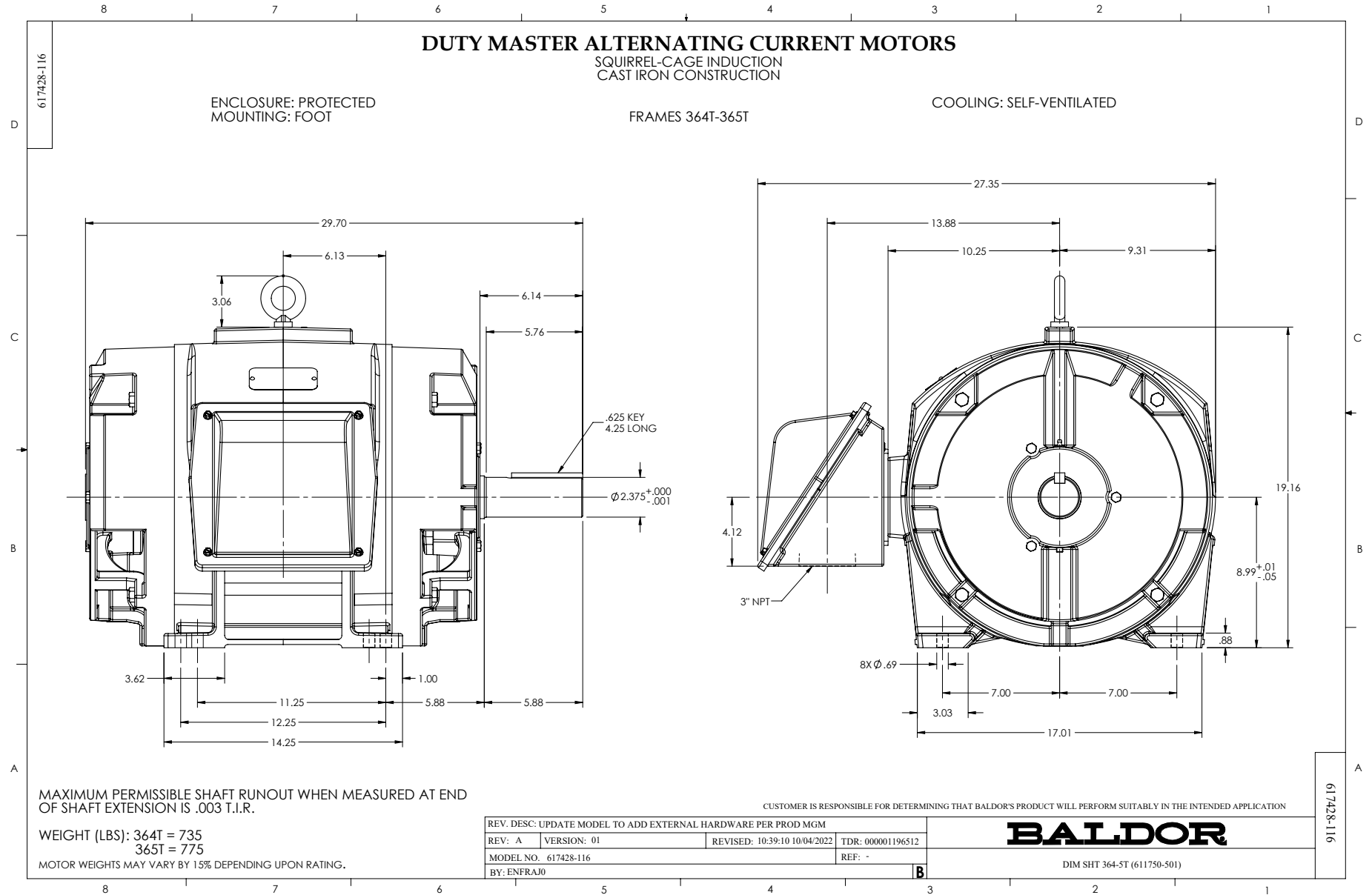
<b>Revision</b>	P
<b>Type</b>	AC
<b>Mech. spec.</b>	
<b>Base</b>	
<b>Status</b>	PRD/A
<b>Elec. spec.</b>	A36WG1764
<b>Layout</b>	617428-116
<b>Eff. date</b>	07-24-2025
<b>CD Diagram</b>	416820-002
<b>Poles</b>	04
<b>Leads</b>	3#4,6#6
<b>Proprietary</b>	False
<b>Created date</b>	10-19-2010

<b>Motor Type</b>	A3658M
<b>Mounting Arrangement</b>	F1
<b>Number of Poles</b>	4
<b>Overall Length</b>	29.70 IN
<b>Power Factor</b>	83
<b>Pulley End Bearing Type</b>	Ball
<b>Pulley Face Code</b>	P-Base
<b>Service Factor</b>	1.15
<b>Shaft Diameter</b>	2.374 IN
<b>Shaft Ground Indicator</b>	No Shaft Grounding
<b>Shaft Rotation</b>	Reversible
<b>Shaft Slinger Indicator</b>	No Slinger
<b>Speed</b>	1785 rpm
<b>Speed Code</b>	Single Speed
<b>Starting Method</b>	Direct on line
<b>Thermal Device - Bearing</b>	None
<b>Thermal Device - Winding</b>	None

**Nameplate**

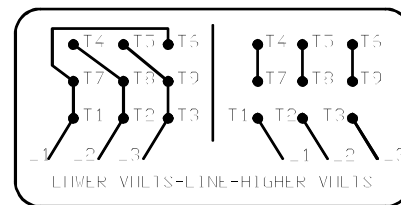
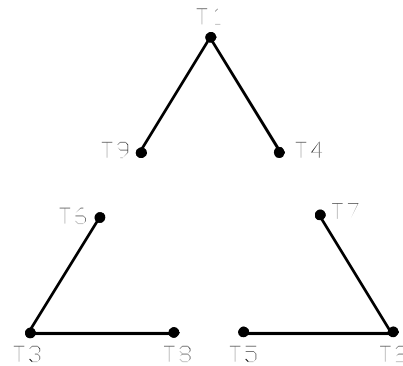
**NP2377L**

<b>CAT.NO.</b>	EM2551T-CI	<b>SPEC NO.</b>	P36G52						
<b>HP</b>	75	<b>AMPS</b>	177/88.5	<b>VOLTS</b>	230/460	<b>DESIGN</b>	B		
<b>FRAME</b>	365T	<b>RPM</b>	1785	<b>HZ</b>	60	<b>AMB</b>	40	<b>SF</b>	1.15
<b>DRIVE END BEARING</b>	65BC03J30X	<b>PHASE</b>	3	<b>DUTY</b>	CONT	<b>INSUL.CLASS</b>	F		
<b>OPP D.E. BEARING</b>	65BC03J30X	<b>TYPE</b>	P	<b>ENCL</b>	DP	<b>CODE</b>	G		
<b>SER.NO.</b>		<b>POWER FACTOR</b>	83	<b>NEMA-NOM-EFFICIENCY</b>	95				
		<b>MAX CORR KVAR</b>	15.0	<b>GUARANTEED EFFICIENCY</b>	94.5				
		<b>NEMA NOM/CSA QUOTED EFF</b>							
		<b>MOTOR WEIGHT</b>							



416820-002

A-C MOTOR  
CONNECTION DIAGRAM  
STANDARD 9 LEAD DELTA-CONNECTED



(N.P. 1575-B)

416820-002

REV. DESC: FONT CHANGE FOR PDF SEARCHABLE		
REV. LTR: A	VERSION: 01	TDR: 000001009382
FILE: \MGA\00000\661	REVISED: 02:46:19 02/13/2020	BY: MGHMTT
MTL: -		© □

**BALDOR - RELIANCE®**

CONN DIAG - STANDARD 9 LEAD, DELTA-CONNECTED

SH 1 of 1